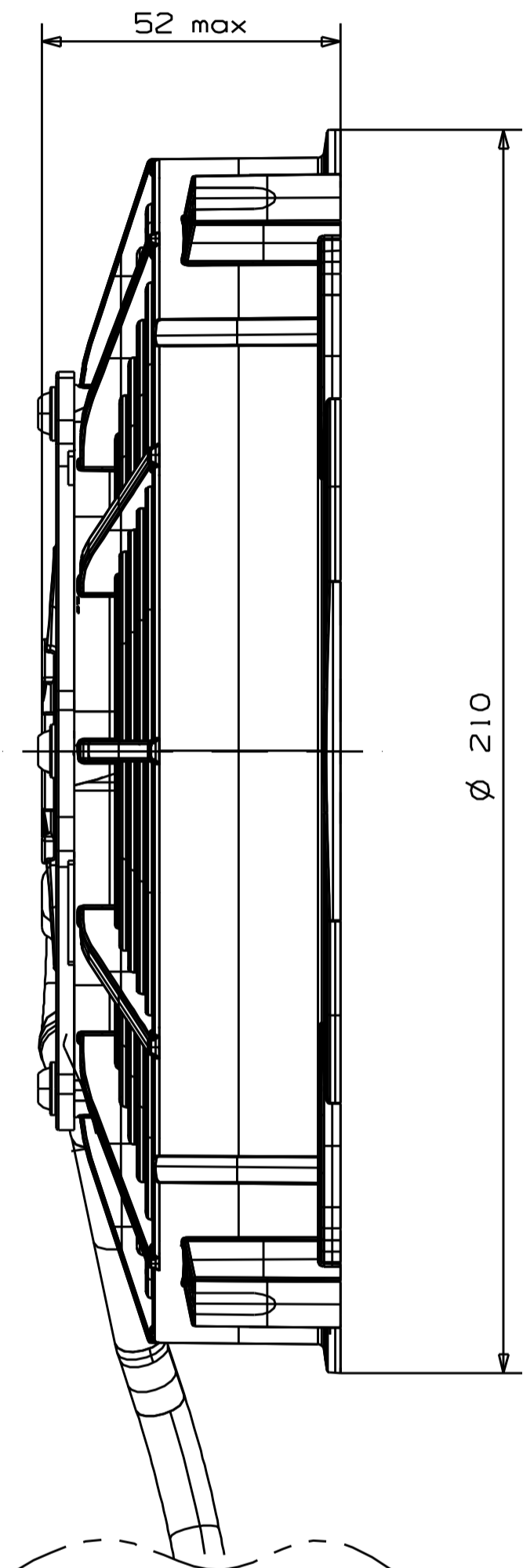
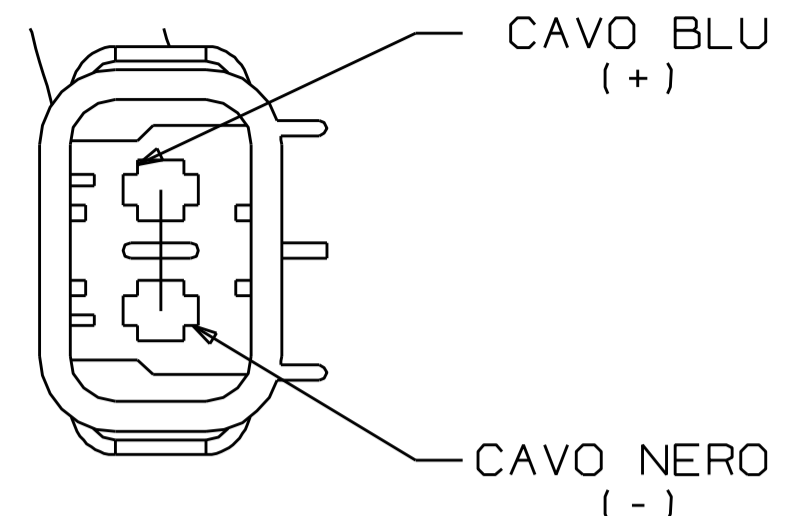


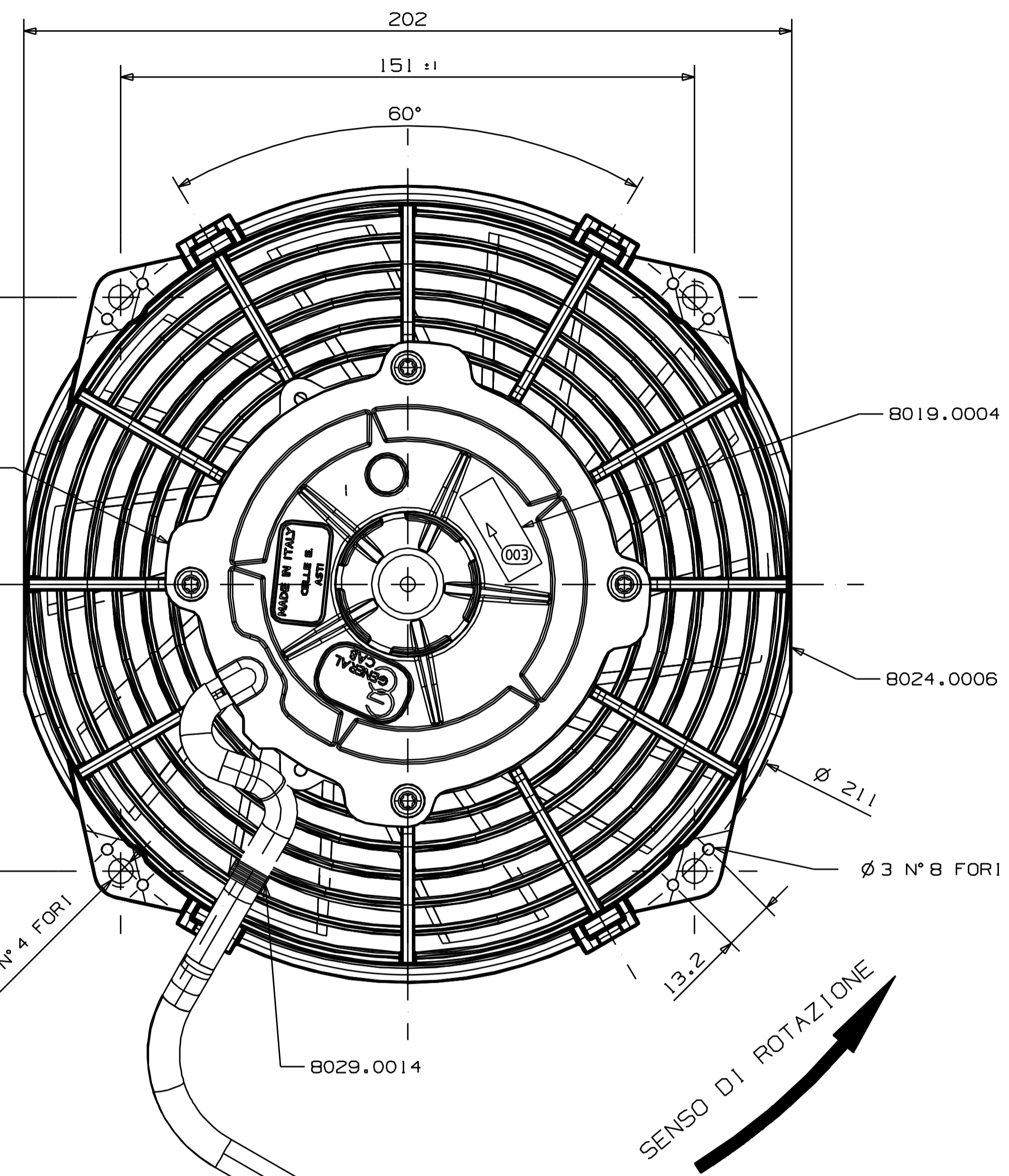
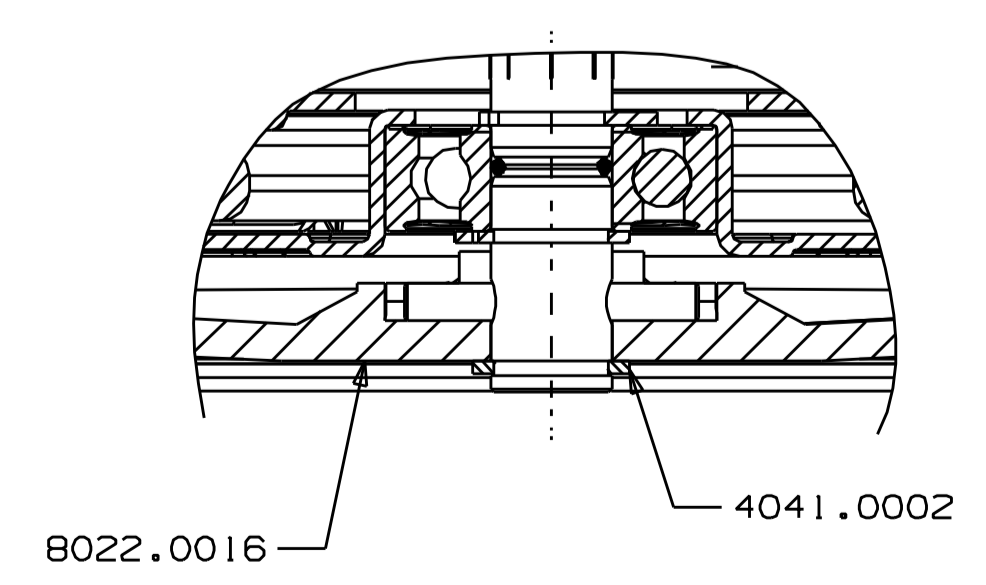
TECHNICAL DEVELOPMENT CENTER  
 GENERAL CAB S.p.A. - ITALY  
 GENERAL CAB PHASE 1 - SUPPLYING AUTOMOTIVE PARTS - SAFADUSH - SHARBIYAH - SAUDI ARABIA  
 GENERAL CAB PHASE 2 - SUPPLYING AUTOMOTIVE PARTS - SAFADUSH - SHARBIYAH - SAUDI ARABIA  
 GENERAL CAB PHASE 3 - SUPPLYING AUTOMOTIVE PARTS - SAFADUSH - SHARBIYAH - SAUDI ARABIA  
 GENERAL CAB PHASE 4 - SUPPLYING AUTOMOTIVE PARTS - SAFADUSH - SHARBIYAH - SAUDI ARABIA  
 GENERAL CAB PHASE 5 - SUPPLYING AUTOMOTIVE PARTS - SAFADUSH - SHARBIYAH - SAUDI ARABIA  
 GENERAL CAB PHASE 6 - SUPPLYING AUTOMOTIVE PARTS - SAFADUSH - SHARBIYAH - SAUDI ARABIA  
 GENERAL CAB PHASE 7 - SUPPLYING AUTOMOTIVE PARTS - SAFADUSH - SHARBIYAH - SAUDI ARABIA  
 GENERAL CAB PHASE 8 - SUPPLYING AUTOMOTIVE PARTS - SAFADUSH - SHARBIYAH - SAUDI ARABIA  
 GENERAL CAB PHASE 9 - SUPPLYING AUTOMOTIVE PARTS - SAFADUSH - SHARBIYAH - SAUDI ARABIA  
 GENERAL CAB PHASE 10 - SUPPLYING AUTOMOTIVE PARTS - SAFADUSH - SHARBIYAH - SAUDI ARABIA  
 GENERAL CAB PHASE 11 - SUPPLYING AUTOMOTIVE PARTS - SAFADUSH - SHARBIYAH - SAUDI ARABIA  
 GENERAL CAB PHASE 12 - SUPPLYING AUTOMOTIVE PARTS - SAFADUSH - SHARBIYAH - SAUDI ARABIA  
 GENERAL CAB PHASE 13 - SUPPLYING AUTOMOTIVE PARTS - SAFADUSH - SHARBIYAH - SAUDI ARABIA  
 GENERAL CAB PHASE 14 - SUPPLYING AUTOMOTIVE PARTS - SAFADUSH - SHARBIYAH - SAUDI ARABIA  
 GENERAL CAB PHASE 15 - SUPPLYING AUTOMOTIVE PARTS - SAFADUSH - SHARBIYAH - SAUDI ARABIA  
 GENERAL CAB PHASE 16 - SUPPLYING AUTOMOTIVE PARTS - SAFADUSH - SHARBIYAH - SAUDI ARABIA  
 GENERAL CAB PHASE 17 - SUPPLYING AUTOMOTIVE PARTS - SAFADUSH - SHARBIYAH - SAUDI ARABIA  
 GENERAL CAB PHASE 18 - SUPPLYING AUTOMOTIVE PARTS - SAFADUSH - SHARBIYAH - SAUDI ARABIA  
 GENERAL CAB PHASE 19 - SUPPLYING AUTOMOTIVE PARTS - SAFADUSH - SHARBIYAH - SAUDI ARABIA  
 GENERAL CAB PHASE 20 - SUPPLYING AUTOMOTIVE PARTS - SAFADUSH - SHARBIYAH - SAUDI ARABIA  
 GENERAL CAB PHASE 21 - SUPPLYING AUTOMOTIVE PARTS - SAFADUSH - SHARBIYAH - SAUDI ARABIA  
 GENERAL CAB PHASE 22 - SUPPLYING AUTOMOTIVE PARTS - SAFADUSH - SHARBIYAH - SAUDI ARABIA  
 GENERAL CAB PHASE 23 - SUPPLYING AUTOMOTIVE PARTS - SAFADUSH - SHARBIYAH - SAUDI ARABIA  
 GENERAL CAB PHASE 24 - SUPPLYING AUTOMOTIVE PARTS - SAFADUSH - SHARBIYAH - SAUDI ARABIA  
 GENERAL CAB PHASE 25 - SUPPLYING AUTOMOTIVE PARTS - SAFADUSH - SHARBIYAH - SAUDI ARABIA  
 GENERAL CAB PHASE 26 - SUPPLYING AUTOMOTIVE PARTS - SAFADUSH - SHARBIYAH - SAUDI ARABIA  
 GENERAL CAB PHASE 27 - SUPPLYING AUTOMOTIVE PARTS - SAFADUSH - SHARBIYAH - SAUDI ARABIA  
 GENERAL CAB PHASE 28 - SUPPLYING AUTOMOTIVE PARTS - SAFADUSH - SHARBIYAH - SAUDI ARABIA  
 GENERAL CAB PHASE 29 - SUPPLYING AUTOMOTIVE PARTS - SAFADUSH - SHARBIYAH - SAUDI ARABIA  
 GENERAL CAB PHASE 30 - SUPPLYING AUTOMOTIVE PARTS - SAFADUSH - SHARBIYAH - SAUDI ARABIA  
 GENERAL CAB PHASE 31 - SUPPLYING AUTOMOTIVE PARTS - SAFADUSH - SHARBIYAH - SAUDI ARABIA  
 GENERAL CAB PHASE 32 - SUPPLYING AUTOMOTIVE PARTS - SAFADUSH - SHARBIYAH - SAUDI ARABIA  
 GENERAL CAB PHASE 33 - SUPPLYING AUTOMOTIVE PARTS - SAFADUSH - SHARBIYAH - SAUDI ARABIA  
 GENERAL CAB PHASE 34 - SUPPLYING AUTOMOTIVE PARTS - SAFADUSH - SHARBIYAH - SAUDI ARABIA  
 GENERAL CAB PHASE 35 - SUPPLYING AUTOMOTIVE PARTS - SAFADUSH - SHARBIYAH - SAUDI ARABIA  
 GENERAL CAB PHASE 36 - SUPPLYING AUTOMOTIVE PARTS - SAFADUSH - SHARBIYAH - SAUDI ARABIA  
 GENERAL CAB PHASE 37 - SUPPLYING AUTOMOTIVE PARTS - SAFADUSH - SHARBIYAH - SAUDI ARABIA  
 GENERAL CAB PHASE 38 - SUPPLYING AUTOMOTIVE PARTS - SAFADUSH - SHARBIYAH - SAUDI ARABIA  
 GENERAL CAB PHASE 39 - SUPPLYING AUTOMOTIVE PARTS - SAFADUSH - SHARBIYAH - SAUDI ARABIA  
 GENERAL CAB PHASE 40 - SUPPLYING AUTOMOTIVE PARTS - SAFADUSH - SHARBIYAH - SAUDI ARABIA  
 GENERAL CAB PHASE 41 - SUPPLYING AUTOMOTIVE PARTS - SAFADUSH - SHARBIYAH - SAUDI ARABIA  
 GENERAL CAB PHASE 42 - SUPPLYING AUTOMOTIVE PARTS - SAFADUSH - SHARBIYAH - SAUDI ARABIA  
 GENERAL CAB PHASE 43 - SUPPLYING AUTOMOTIVE PARTS - SAFADUSH - SHARBIYAH - SAUDI ARABIA  
 GENERAL CAB PHASE 44 - SUPPLYING AUTOMOTIVE PARTS - SAFADUSH - SHARBIYAH - SAUDI ARABIA  
 GENERAL CAB PHASE 45 - SUPPLYING AUTOMOTIVE PARTS - SAFADUSH - SHARBIYAH - SAUDI ARABIA  
 GENERAL CAB PHASE 46 - SUPPLYING AUTOMOTIVE PARTS - SAFADUSH - SHARBIYAH - SAUDI ARABIA  
 GENERAL CAB PHASE 47 - SUPPLYING AUTOMOTIVE PARTS - SAFADUSH - SHARBIYAH - SAUDI ARABIA  
 GENERAL CAB PHASE 48 - SUPPLYING AUTOMOTIVE PARTS - SAFADUSH - SHARBIYAH - SAUDI ARABIA  
 GENERAL CAB PHASE 49 - SUPPLYING AUTOMOTIVE PARTS - SAFADUSH - SHARBIYAH - SAUDI ARABIA  
 GENERAL CAB PHASE 50 - SUPPLYING AUTOMOTIVE PARTS - SAFADUSH - SHARBIYAH - SAUDI ARABIA  
 GENERAL CAB PHASE 51 - SUPPLYING AUTOMOTIVE PARTS - SAFADUSH - SHARBIYAH - SAUDI ARABIA  
 GENERAL CAB PHASE 52 - SUPPLYING AUTOMOTIVE PARTS - SAFADUSH - SHARBIYAH - SAUDI ARABIA  
 GENERAL CAB PHASE 53 - SUPPLYING AUTOMOTIVE PARTS - SAFADUSH - SHARBIYAH - SAUDI ARABIA  
 GENERAL CAB PHASE 54 - SUPPLYING AUTOMOTIVE PARTS - SAFADUSH - SHARBIYAH - SAUDI ARABIA  
 GENERAL CAB PHASE 55 - SUPPLYING AUTOMOTIVE PARTS - SAFADUSH - SHARBIYAH - SAUDI ARABIA  
 GENERAL CAB PHASE 56 - SUPPLYING AUTOMOTIVE PARTS - SAFADUSH - SHARBIYAH - SAUDI ARABIA  
 GENERAL CAB PHASE 57 - SUPPLYING AUTOMOTIVE PARTS - SAFADUSH - SHARBIYAH - SAUDI ARABIA  
 GENERAL CAB PHASE 58 - SUPPLYING AUTOMOTIVE PARTS - SAFADUSH - SHARBIYAH - SAUDI ARABIA  
 GENERAL CAB PHASE 59 - SUPPLYING AUTOMOTIVE PARTS - SAFADUSH - SHARBIYAH - SAUDI ARABIA  
 GENERAL CAB PHASE 60 - SUPPLYING AUTOMOTIVE PARTS - SAFADUSH - SHARBIYAH - SAUDI ARABIA  
 GENERAL CAB PHASE 61 - SUPPLYING AUTOMOTIVE PARTS - SAFADUSH - SHARBIYAH - SAUDI ARABIA  
 GENERAL CAB PHASE 62 - SUPPLYING AUTOMOTIVE PARTS - SAFADUSH - SHARBIYAH - SAUDI ARABIA  
 GENERAL CAB PHASE 63 - SUPPLYING AUTOMOTIVE PARTS - SAFADUSH - SHARBIYAH - SAUDI ARABIA  
 GENERAL CAB PHASE 64 - SUPPLYING AUTOMOTIVE PARTS - SAFADUSH - SHARBIYAH - SAUDI ARABIA  
 GENERAL CAB PHASE 65 - SUPPLYING AUTOMOTIVE PARTS - SAFADUSH - SHARBIYAH - SAUDI ARABIA  
 GENERAL CAB PHASE 66 - SUPPLYING AUTOMOTIVE PARTS - SAFADUSH - SHARBIYAH - SAUDI ARABIA  
 GENERAL CAB PHASE 67 - SUPPLYING AUTOMOTIVE PARTS - SAFADUSH - SHARBIYAH - SAUDI ARABIA  
 GENERAL CAB PHASE 68 - SUPPLYING AUTOMOTIVE PARTS - SAFADUSH - SHARBIYAH - SAUDI ARABIA  
 GENERAL CAB PHASE 69 - SUPPLYING AUTOMOTIVE PARTS - SAFADUSH - SHARBIYAH - SAUDI ARABIA  
 GENERAL CAB PHASE 70 - SUPPLYING AUTOMOTIVE PARTS - SAFADUSH - SHARBIYAH - SAUDI ARABIA  
 GENERAL CAB PHASE 71 - SUPPLYING AUTOMOTIVE PARTS - SAFADUSH - SHARBIYAH - SAUDI ARABIA  
 GENERAL CAB PHASE 72 - SUPPLYING AUTOMOTIVE PARTS - SAFADUSH - SHARBIYAH - SAUDI ARABIA  
 GENERAL CAB PHASE 73 - SUPPLYING AUTOMOTIVE PARTS - SAFADUSH - SHARBIYAH - SAUDI ARABIA  
 GENERAL CAB PHASE 74 - SUPPLYING AUTOMOTIVE PARTS - SAFADUSH - SHARBIYAH - SAUDI ARABIA  
 GENERAL CAB PHASE 75 - SUPPLYING AUTOMOTIVE PARTS - SAFADUSH - SHARBIYAH - SAUDI ARABIA  
 GENERAL CAB PHASE 76 - SUPPLYING AUTOMOTIVE PARTS - SAFADUSH - SHARBIYAH - SAUDI ARABIA  
 GENERAL CAB PHASE 77 - SUPPLYING AUTOMOTIVE PARTS - SAFADUSH - SHARBIYAH - SAUDI ARABIA  
 GENERAL CAB PHASE 78 - SUPPLYING AUTOMOTIVE PARTS - SAFADUSH - SHARBIYAH - SAUDI ARABIA  
 GENERAL CAB PHASE 79 - SUPPLYING AUTOMOTIVE PARTS - SAFADUSH - SHARBIYAH - SAUDI ARABIA  
 GENERAL CAB PHASE 80 - SUPPLYING AUTOMOTIVE PARTS - SAFADUSH - SHARBIYAH - SAUDI ARABIA  
 GENERAL CAB PHASE 81 - SUPPLYING AUTOMOTIVE PARTS - SAFADUSH - SHARBIYAH - SAUDI ARABIA  
 GENERAL CAB PHASE 82 - SUPPLYING AUTOMOTIVE PARTS - SAFADUSH - SHARBIYAH - SAUDI ARABIA  
 GENERAL CAB PHASE 83 - SUPPLYING AUTOMOTIVE PARTS - SAFADUSH - SHARBIYAH - SAUDI ARABIA  
 GENERAL CAB PHASE 84 - SUPPLYING AUTOMOTIVE PARTS - SAFADUSH - SHARBIYAH - SAUDI ARABIA  
 GENERAL CAB PHASE 85 - SUPPLYING AUTOMOTIVE PARTS - SAFADUSH - SHARBIYAH - SAUDI ARABIA  
 GENERAL CAB PHASE 86 - SUPPLYING AUTOMOTIVE PARTS - SAFADUSH - SHARBIYAH - SAUDI ARABIA  
 GENERAL CAB PHASE 87 - SUPPLYING AUTOMOTIVE PARTS - SAFADUSH - SHARBIYAH - SAUDI ARABIA  
 GENERAL CAB PHASE 88 - SUPPLYING AUTOMOTIVE PARTS - SAFADUSH - SHARBIYAH - SAUDI ARABIA  
 GENERAL CAB PHASE 89 - SUPPLYING AUTOMOTIVE PARTS - SAFADUSH - SHARBIYAH - SAUDI ARABIA  
 GENERAL CAB PHASE 90 - SUPPLYING AUTOMOTIVE PARTS - SAFADUSH - SHARBIYAH - SAUDI ARABIA  
 GENERAL CAB PHASE 91 - SUPPLYING AUTOMOTIVE PARTS - SAFADUSH - SHARBIYAH - SAUDI ARABIA  
 GENERAL CAB PHASE 92 - SUPPLYING AUTOMOTIVE PARTS - SAFADUSH - SHARBIYAH - SAUDI ARABIA  
 GENERAL CAB PHASE 93 - SUPPLYING AUTOMOTIVE PARTS - SAFADUSH - SHARBIYAH - SAUDI ARABIA  
 GENERAL CAB PHASE 94 - SUPPLYING AUTOMOTIVE PARTS - SAFADUSH - SHARBIYAH - SAUDI ARABIA  
 GENERAL CAB PHASE 95 - SUPPLYING AUTOMOTIVE PARTS - SAFADUSH - SHARBIYAH - SAUDI ARABIA  
 GENERAL CAB PHASE 96 - SUPPLYING AUTOMOTIVE PARTS - SAFADUSH - SHARBIYAH - SAUDI ARABIA  
 GENERAL CAB PHASE 97 - SUPPLYING AUTOMOTIVE PARTS - SAFADUSH - SHARBIYAH - SAUDI ARABIA  
 GENERAL CAB PHASE 98 - SUPPLYING AUTOMOTIVE PARTS - SAFADUSH - SHARBIYAH - SAUDI ARABIA  
 GENERAL CAB PHASE 99 - SUPPLYING AUTOMOTIVE PARTS - SAFADUSH - SHARBIYAH - SAUDI ARABIA  
 GENERAL CAB PHASE 100 - SUPPLYING AUTOMOTIVE PARTS - SAFADUSH - SHARBIYAH - SAUDI ARABIA

DATE	REV.	REVISION HISTORY	DESCRIZIONE DELLA MODIFICA	N. MOD.	DR	CK	AU
23.01.08	001	Aggiornato grafico disegno		08.017	LP	AV	AM
07.04.08	002	Variato codice motore Iera 9003.0206		08.091	AV	LP	AM
21.05.08	003	Invertito verso freccia su targhetta		08.152	LP	AV	AM
15.11.08	004	modificato etichetta come nuovo standard		08.249	AV	FM	AM
07.05.10	005	Sostituito vite Iera 8002.00211 rich.mod.n° 186		10.044	AV	FM	AM

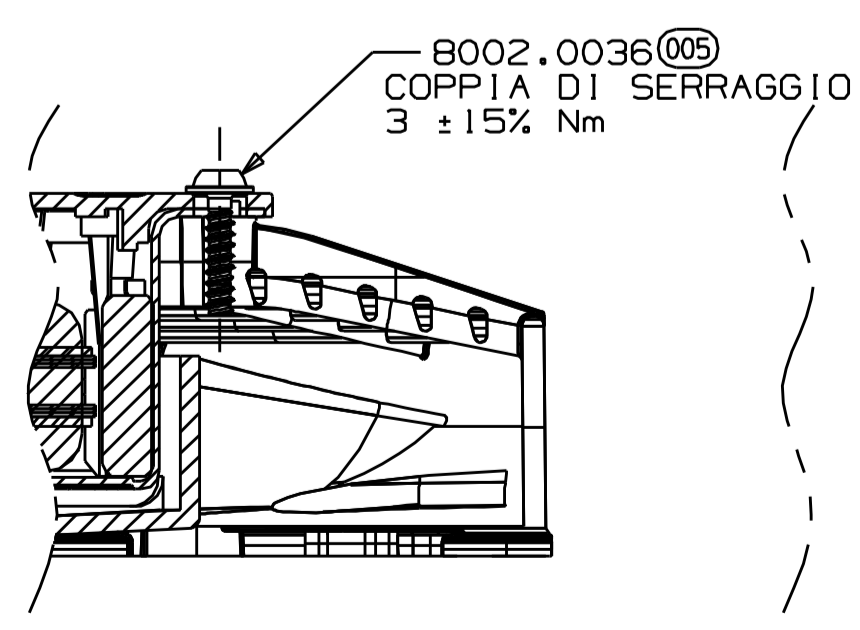
DETTAGLIO CONNETTORE  
 SCALA 2:1



DETTAGLIO FISSAGGIO VENTOLA  
 SCALA 2:1



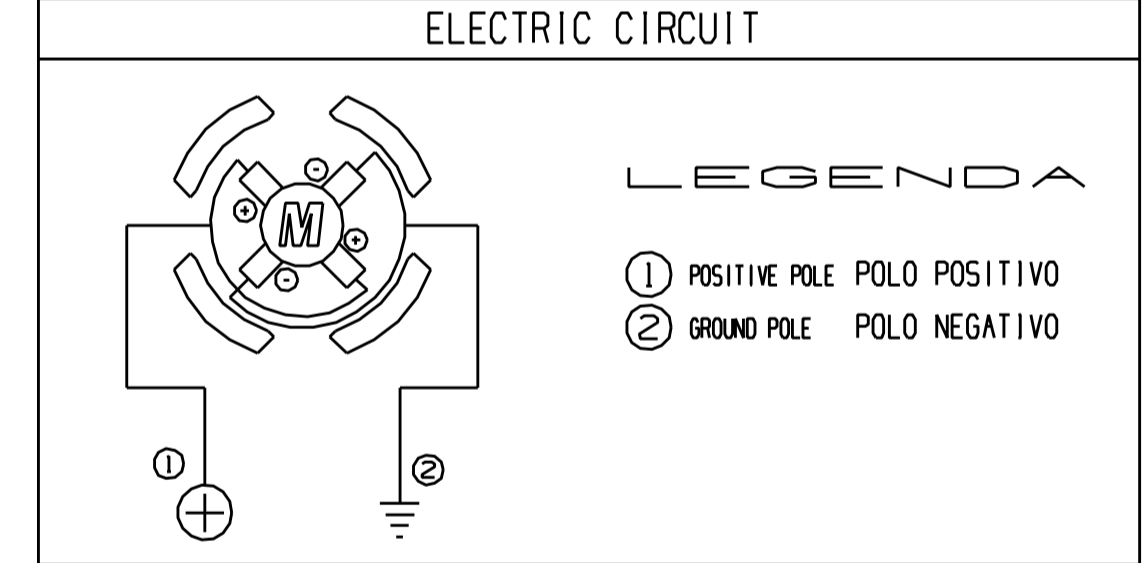
DETTAGLIO FISSAGGIO MOTORE



SECTION B-B

MOTOR LABEL

004	1	2	3	4	5	6	7	8
PRODUCTION DATE DATA DI PRODUZIONE				DD.MM.YY		NOMINAL VOLTAGE TENSIONE DI ALIMENTAZ.		24 V
PRODUCT PART NUMBER CODICE PRODOTTO				9005.0366		FAN TYPE TIPO VENTOLA		PULL
PRODUCTION PLANT STABILIMENTO DI PRODUZ.				MADE IN ITALY		ROTATION DIRECTION VERSO DI ROTAZIONE		→
CUSTOMER PART NUMBER CODICE CLIENTE						CERTIFICATION CERTIFICAZIONE		CE 031334



CHARACTERISTIC TECHNICAL DATA

NOMINAL APPLICATION VOLTAGE TENSIONE NOMINALE D'USO	24 V
MINIMUM ROTATIONAL SPEED VELOCITA' DI ROTAZIONE MINIMA	3450 rpm
MAXIMUM ABSORBED CURRENT MASSIMA CORRENTE ASSORBITA	3,5 A
MAXIMUM STATIC UNBALANCE ADMITTED MASSIMO SQUILIBRIO STATICO AMMESSO	40 grmm
MAXIMUM DYNAMIC UNBALANCE ADMITTED MASSIMO SQUILIBRIO DINAMICO AMMESSO	300 grmm

ALL DIMENSIONS APPLY TO FINISHED PART AFTER SURFACE TREATMENT TUTTE LE QUOTE SONO INTESE APPLICATE AL PRODOTTO DOPO L'ESECUZIONE DEI TRATTAMENTI SUPERFICIALI		UNLESS OTHERWISE SPECIFIED IN THIS DOCUMENT IS IN ACCORDANCE WITH GENERAL CAB SPECIFICATION N. 001.0072 CONCERNING DIMENSIONS WITHOUT TOLERANCES INDICATIONS	
SALVO DIVERSE INDICAZIONI QUESTO DOCUMENTO E' IN ACCORDO CON LA NORMA GENERAL CAB NUMERO 001.0072 RIFERITA ALLE QUOTE SENZA INDICAZIONE DI TOLLERANZA		THIS DOCUMENT IS A GENERAL CAB PROPERTY. ITS CONTENTS COULD NOT BE DISTRIBUTED OR PRODUCED WITHOUT HIS WRITER AUTHORIZATION. GENERAL CAB PROTECTS ONE'S RIGHTS WITH INTERNATIONAL LAWS. QUESTO DOCUMENTO E' DI PROPRIETA' DELLA GENERAL CAB. IL SUO CONTENUTO NON PUO' ESSERE DIVULGATO O PRODOTTO SENZA AUTORIZZAZIONE SCRITTA DELLA STESSA. GENERAL CAB TUTELA I PROPRI DIRITTI CON LE LEGGI INTERNAZIONALI	
DO NOT SCALE	METRIC	DATE	16.11.07
REFERENCE	24V - BASSA GAMMA	DRAWER	L.Padoan
SURFACE TREATMENT	TREATMENTO SUPERFICIALE	CHECKER	A.Viarengo
MATERIAL	MATERIALE	SUPERVISOR	A. Morosino
PROJECT TYPE	AM908 / VARI	WEIGHT	1 of 1
DRAWING NAME	ELETTROVENTILATORE Ø 190	SCALE	2:1
DESCRIPTION	COMPLETO DI CONVOGLIATORE - PULLER	DRAWING PART NUMBER	9005.0366
SCALE	SCALA	SIZE	A1