

## P/N 430/300



Fixed hose reel s. 430, for oil and water, 200 bar, without hose. Arrangement for double inlet-outlet. Inlet-outlet G 3/8" (m)

### SECTORS OF USE

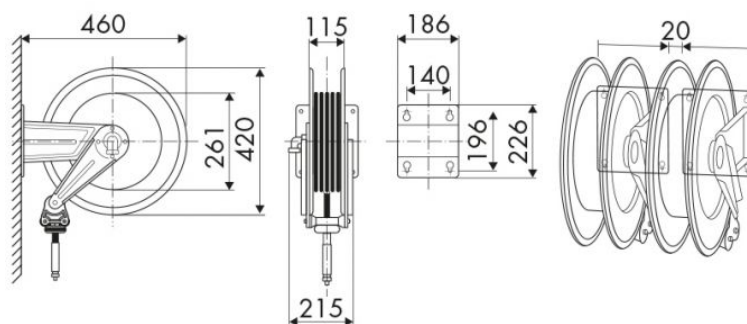
Cleaning, Industry

### FEATURES

Pressure	200 bar
Compatible fluids	oils and similar products - water
Swivel joint	2 AISI 304 stainless steel swivels joint
Seals	Viton®
Characteristic	fixed
Material	painted steel
Couplings	-
Hose	-
ø e hose length	-
Inlet	G 3/8" (f)
Outlet	G 3/8" (m)
Reel flow path	AISI 304 stainless steel - zinc plated steel



### OVERALL DIMENSIONS IN MM



### FURTHER FEATURES

Capacity 1/4"	Capacity 5/16"	Capacity 3/8"
13 m	12 m	10 m

