

P/N 530/300



Fixed hose reel s. 530, for oil and water, 200 bar, without hose. Arrangement for double inlet-outlet. Inlet-outlet G 3/8" (m)

SECTORS OF USE

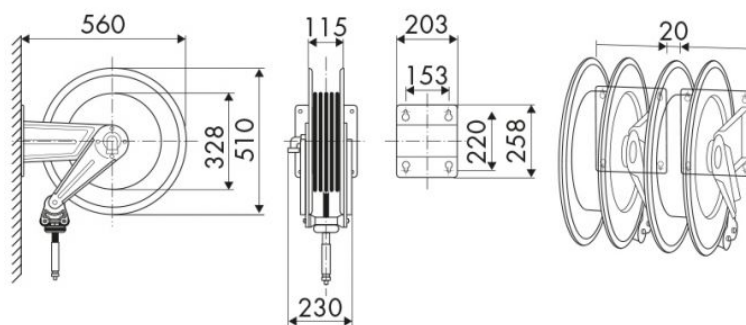
Cleaning, Industry

FEATURES

Pressure	200 bar
Compatible fluids	oils and similar products - water
Swivel joint	2 AISI 304 stainless steel swivels joint
Seals	Viton®
Characteristic	fixed
Material	painted steel
Couplings	-
Hose	-
Ø e hose length	-
Inlet	G 3/8" (f)
Outlet	G 3/8" (m)
Reel flow path	AISI 304 stainless steel - zinc plated steel



OVERALL DIMENSIONS IN MM



FURTHER FEATURES

Capacity 1/4"	Capacity 5/16"	Capacity 3/8"
22 m	20 m	15 m

