

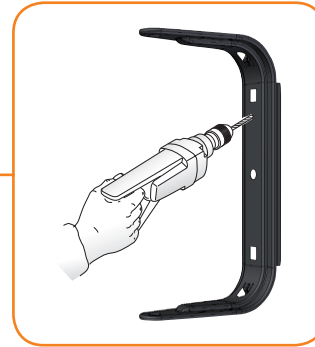
Series industrial ENCLOSED in SHOCK RESISTANT TECHNOLIMER Air - Cold water 20 bar

swivel
seals
hose

Brass
Viton
Polyurethane



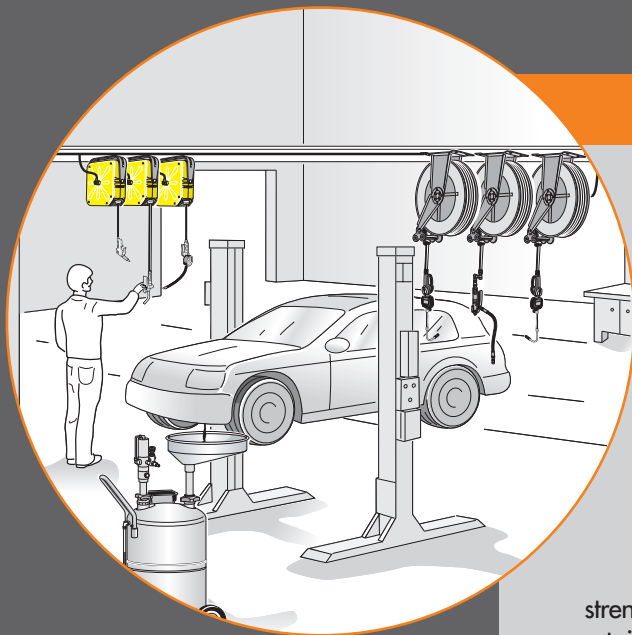
S. 260
Simple wall
support



Patented: simple wall support

THE HOSE REELS ARE EQUIPPED WITH HOSE STOP AND 1,5 m CONNECTION HOSE

	Article	Capacity l/min Air-Water	Delivery hose	∅ Hose	Inlet connection	Outlet connection
Series 260	261/11	350 - 20	11m (911/11)	8x12	M 1/4"G	M 1/4"G
	261/12	280 - 10	11m (901/11)	6x10	M 1/4"G	M 1/4"G
			N° 1 packing	m³ 0,025	kg 6	



A small size hose reel

lightweight, professional and solid,
with technical features that make it
extremely versatile for most
applications and suitable for countless uses.

The locking pawl enables automatic
stopping at the desired length
(every 50 cm)

Constant
strength spring
contained inside
the hose reel in
hermetic case

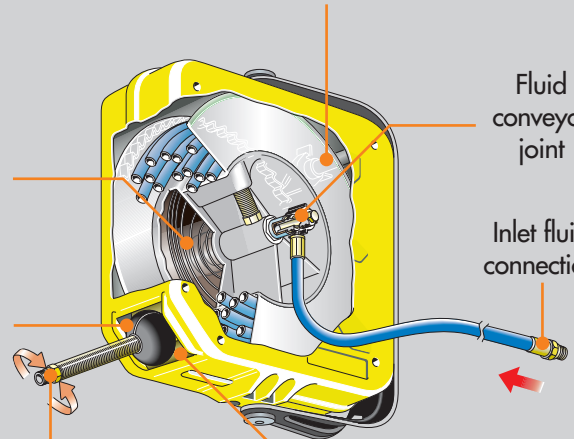
Adjustable
hose-stop

Outlet swivel
joint 1/4 G

Fluid
conveyor
joint

Inlet fluid
connection

Self-lubricating tube
guide rollers



OVERALL DIMENSIONS

Series	A	B	C	D	E	F	G	H
260	318	320	285	110	318	130	94	40

