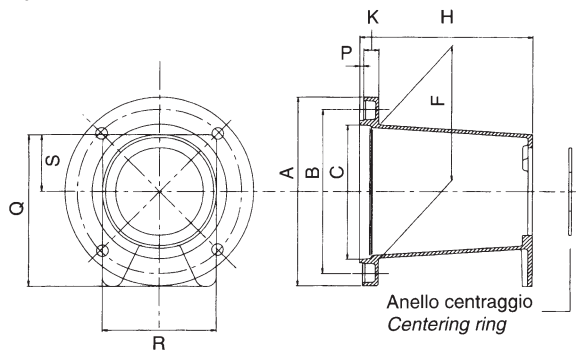


**TAB. ACCOPPIAMENTO POMPE AD INGRANAGGI
CON FLANGIATURE RETTANGOLARI
E MOTORI A SCOPPIO**
**CONNECTIONS BETWEEN GEARPUMPS
WITH RECTANGULAR FLANGE AND INTERNAL
COMBUSTION ENGINES**



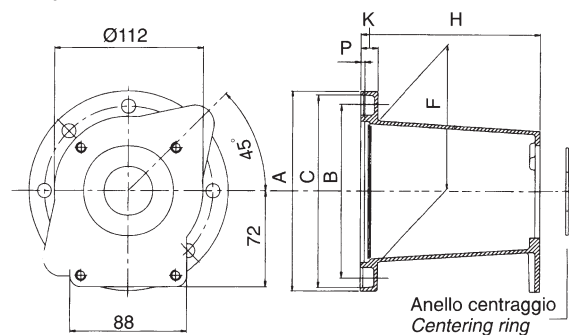
LANTERNA / BELLHOUSING

tipo / series **LMH**



LANTERNA / BELLHOUSING

tipo / series **LB**



Potenza motore Motor power		Albero Shaft	Rif. pompa Pump code	Lanterna Bellhousing	Dimensione lanterna (mm) Dimensions of bellhousing (mm)										Giunto completo serie ND Complete coupling ND series		Semigiunto Motore Halfcoupling motor side	Inserto elastico Rubber spider	Semigiunto pompa Halfcoupling pump side	Anello di centraggio Centering ring			
kW	HP				Codice Part number	A	B	C	D	F	H	K	P	Q	R	S	Codice Part number	H	Codice Part number	Codice Part num.	I	Codice Part number	Codice P. number
2,2 ÷ 4	3 ÷ 5,5	Ø 18 ch. 5	U1P	LMH151	110	92	78,5	9	78	98	12	3	90	70	34	ND 500	87	NS 48CC16	R-42	16	ND 48PU1P	RC05-254	
			1C	LMH152	110	92	78,5	9	78	98	12	3	90	70	34	ND 501	87	NS 48CC16	R-42	16	ND 48P1C	RC05-30	
			1M	LMH152	110	92	78,5	9	78	98	12	3	90	70	34	ND 502	87	NS 48CC16	R-42	16	ND 48P1M	RC05-30	
			U1P	LMH151	110	92	78,5	9	78	98	12	3	90	70	34	ND 510	87	ND 48CC22	R-42	16	ND 48PU1P	RC05-254	
			1C	LMH152	110	92	78,5	9	78	98	12	3	90	70	34	ND 511	87	ND 48CC22	R-42	16	ND 48P1C	RC05-30	
			1M	LMH152	110	92	78,5	9	78	98	12	3	90	70	34	ND 512	87	ND 48CC22	R-42	16	ND 48P1M	RC05-30	
5 ÷ 13,5	7 ÷ 18	Ø 25 ch. 7	U1P	LMH401	146	127	110	9	110	134	12	3	118	91	43,5ND 600	106	ND 65MC33	R-62	18	ND 65PU1P	RC1-254		
			1C	LMH402	146	127	110	9	110	134	12	3	118	91	43,5ND 601	106	ND 65MC33	R-62	18	ND 65P1C	RC1-30		
			1M	LMH402	146	127	110	9	110	134	12	3	118	91	43,5ND 602	106	ND 65MC33	R-62	18	ND 65P1M	RC1-30		
			2	LMH403	146	127	110	9	110	134	12	3	118	91	43,5ND 603	106	ND 65MC33	R-62	18	ND 65P2	RC1-365		
			ZF	LMH404	146	127	110	9	110	134	12	3	118	91	43,5ND 605	106	ND 65MC33	R-62	18	ND 65PZF	-		
			U1P	LMH401	146	127	110	9	110	134	12	3	118	91	43,5ND 610	106	ND 65MC35	R-62	18	ND 65PU1P	RC1-254		
		Ø 25,4 ch. 6,35	1C	LMH402	146	127	110	9	110	134	12	3	118	91	43,5ND 611	106	ND 65MC35	R-62	18	ND 65P1C	RC1-30		
			1M	LMH402	146	127	110	9	110	134	12	3	118	91	43,5ND 612	106	ND 65MC35	R-62	18	ND 65P1M	RC1-30		
			2	LMH403	146	127	110	9	110	134	12	3	118	91	43,5ND 613	106	ND 65MC35	R-62	18	ND 65P2	RC1-365		
			ZF	LMH404	146	127	110	9	110	134	12	3	118	91	43,5ND 615	106	ND 65MC35	R-62	18	ND 65PZF	-		
			U1P	LB152-U1P	152	128	146	10,5	110	142	15	3,5	-	-	-	ND 600	106	ND 65MC33	R-62	18	ND 65PU1P	RC1-254	
			1C	LB152-1CM	152	128	146	10,5	110	142	15	3,5	-	-	-	ND 601	106	ND 65MC33	R-62	18	ND 65P1C	RC1-30	
		Ø 25 ch. 7	1M	LB152-1CM	152	128	146	10,5	110	142	15	3,5	-	-	-	ND 602	106	ND 65MC33	R-62	18	ND 65P1M	RC1-30	
			2	LB152-2	152	128	146	10,5	110	142	15	3,5	-	-	-	ND 603	106	ND 65MC33	R-62	18	ND 65P2	RC1-365	
			U1P	LB152-U1P	152	128	146	10,5	110	142	15	3,5	-	-	-	ND 610	106	ND 65MC35	R-62	18	ND 65PU1P	RC1-254	
			1C	LB152-1CM	152	128	146	10,5	110	142	15	3,5	-	-	-	ND 611	106	ND 65MC35	R-62	18	ND 65P1C	RC1-30	
			1M	LB152-1CM	152	128	146	10,5	110	142	15	3,5	-	-	-	ND 612	106	ND 65MC35	R-62	18	ND 65P1M	RC1-30	
			2	LB152-2	152	128	146	10,5	110	142	15	3,5	-	-	-	ND 613	106	ND 65MC35	R-62	18	ND 65P2	RC1-365	
			T250	LB152-T250	152	128	146	10,5	110	155	15	3,5	-	-	-	ND 606	106	ND 65MC23	R-62	18	ND 65Q3U	-	
			3U	LB152-3U	152	128	146	10,5	110	155	15	3,5	-	-	-	ND 606	106	ND 65MC23	R-62	18	ND 65Q3U	-	
			M3	LB152-M3	152	128	146	10,5	110	155	15	3,5	-	-	-	ND 606	106	ND 65MC23	R-62	18	ND 65Q3U	-	
			Ø 25,4 ch. 6,35	T250	LB152-T250	152	128	146	10,5	110	155	15	3,5	-	-	-	ND 616	116	ND 65MC35	R-62	18	ND 65Q3U	-
				3U	LB152-3U	152	128	146	10,5	110	155	15	3,5	-	-	-	ND 616	116	ND 65MC35	R-62	18	ND 65Q3U	-
				M3	LB152-M3	152	128	146	10,5	110	155	15	3,5	-	-	-	ND 616	116	ND 65MC35	R-62	18	ND 65Q3U	-

Motore a scoppio HP 18 con diametro di centraggio flangia Ø 163,5 mm
Internal combustion engines, 18 HP, with centering flange diameter Ø 163,5 mm

Potenza motore Motor power		Albero Shaft	Rif. pompa Pump code	Lanterna Bellhousing	Dimensione lanterna (mm) Dimensions of bellhousing (mm)										Giunto completo serie ND Complete coupling ND series		Semigiunto Motore Halfcoupling motor side	Inserto elastico Rubber spider	Semigiunto pompa Halfcoupling pump side	Anello di centraggio Centering ring		
kW	HP				Codice Part number	A	B	C	D	F	G	H	P	Q	R	S	Codice Part number	H	Codice Part number	Codice Part num.	I	Codice Part number
13,5	18	Ø 25 ch. 7	U1P	LB170-U1P	170	128	163,5	10,5	110	142	15	3,5	-	-	-	ND 600	106	ND 65MC33	R-62	18	ND 65PU1P	RC1-254
			1C	LB170-1CM	170	128	163,5	10,5	110	142	15	3,5	-	-	-	ND 601	106	ND 65MC33	R-62	18	ND 65P1C	RC1-30
			1M	LB170-1CM	170	128	163,5	10,5	110	142	15	3,5	-	-	-	ND 602	106	ND 65MC33	R-62	18	ND 65P1M	RC1-30
			2	LB170-2	170	128	163,5	10,5	110	142	15	3,5	-	-	-	ND 603	106	ND 65MC33	R-62	18	ND 65P2	RC1-365
			T250	LB170-T250	170	128	163,5	10,5	110	155	15	3,5	-	-	-	ND 606	116	ND 65MC33	R-62	18	ND 65Q3U	RC2-508
			3U	LB170-3U	170	128	163,5	10,5	110	155	15	3,5	-	-	-	ND 606	116	ND 65MC33	R-62	18	ND 65Q3U	RC2-508
		Ø 25,4 ch. 6,35	M3	LB170-M3	170	128	163,5	10,5	110	155	15	3,5	-	-	-	ND 606	116	ND 65MC33	R-62	18	ND 65Q3U	RC2-508
			U1P	LB170-U1P	170	128	163,5	10,5	110	142	15	3,5	-	-	-	ND 610	106	ND 65MC35	R-62	18	ND 65PU1P	RC1-254
			1C	LB170-1CM	170	128	163,5	10,5	110	142	15	3,5	-	-	-	ND 611	106	ND 65MC35	R-62	18	ND 65P1C	RC1-30
			1M	LB170-1CM	170	128	163,5	10,5	110	142	15	3,5	-	-	-	ND 612	106	ND 65MC35	R-62	18	ND 65P1M	RC1-30
			2	LB170-2	170	128	163,5	10,5	110	142	15	3,5	-	-	-	ND 613	106	ND 65MC35	R-62	18	ND 65P2	-
			T250	LB170-T250	170	128	163,5	10,5	110	155	15	3,5	-	-	-	ND 616	116	ND 65MC35	R-62	18	ND 65Q3U	-
		Ø 25,4 ch. 6,35	3U	LB170-3U	170	128	163,5	10,5	110	155	15	3,5	-	-	-	ND 616	116	ND 65MC35	R-62	18	ND 65Q3U	-
			M3	LB170-M3	170	128	163,5	10,5	110	155	15	3,5	-	-	-	ND 616	116	ND 65MC35	R-62	18	ND 65Q3U	-