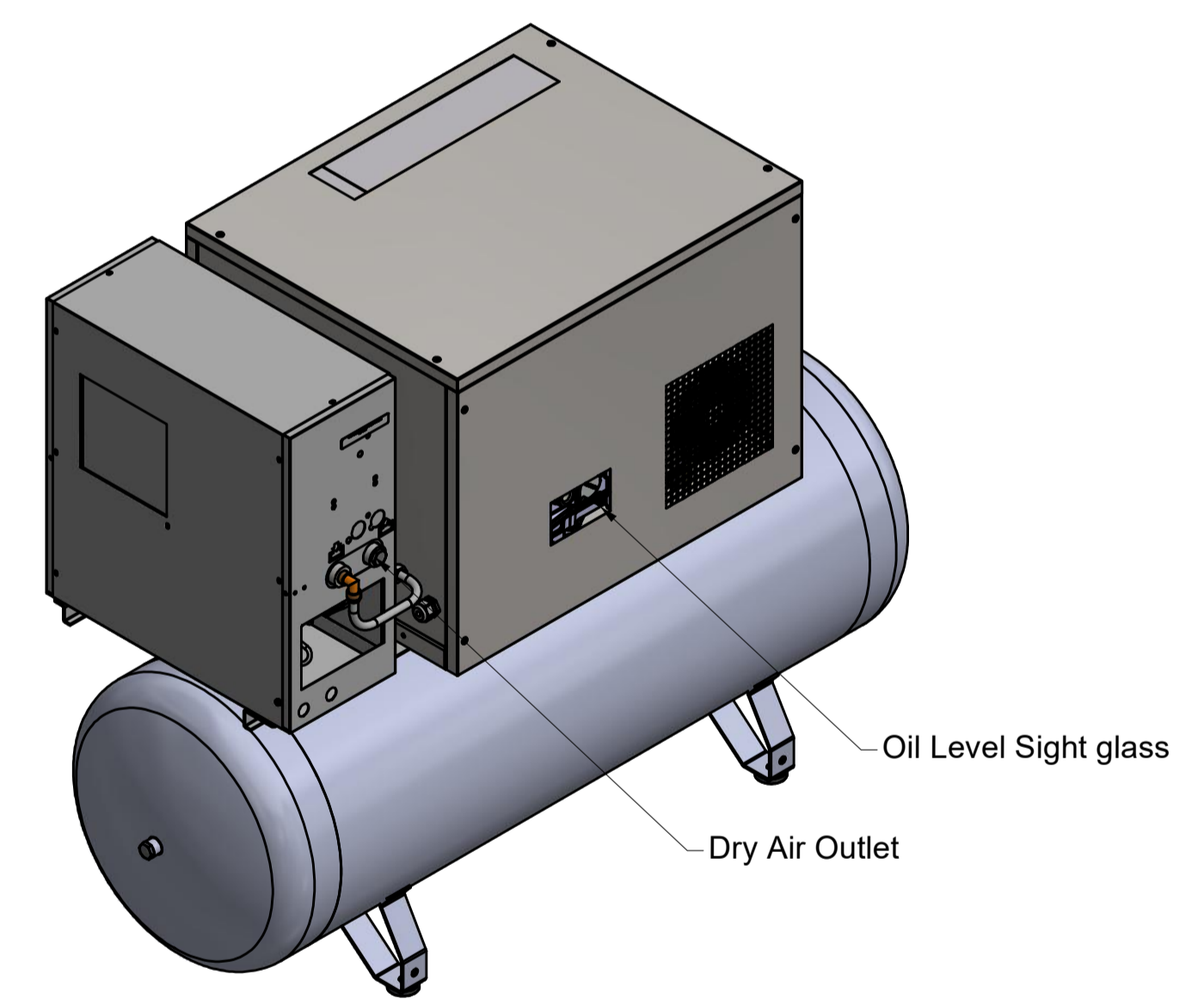
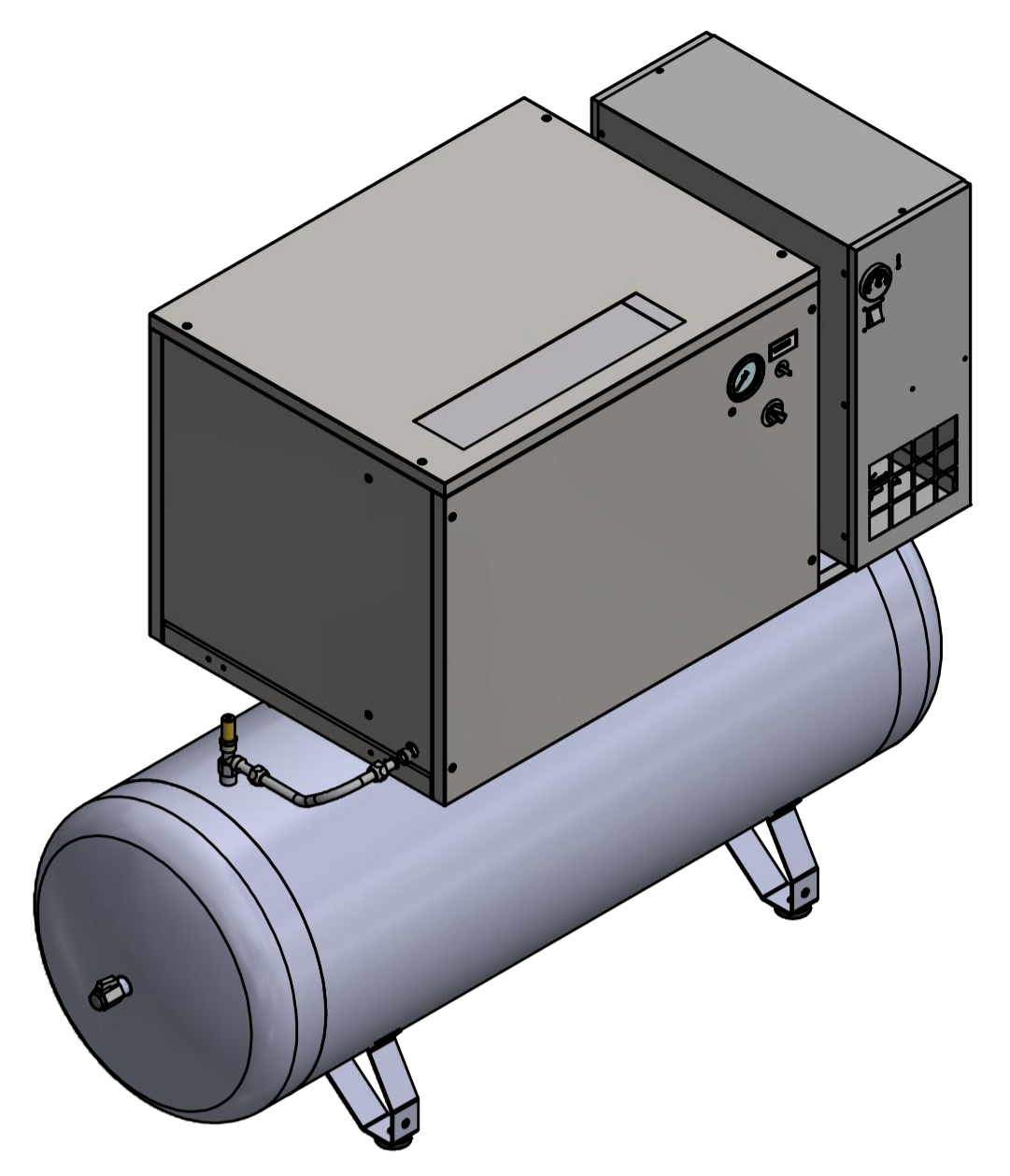
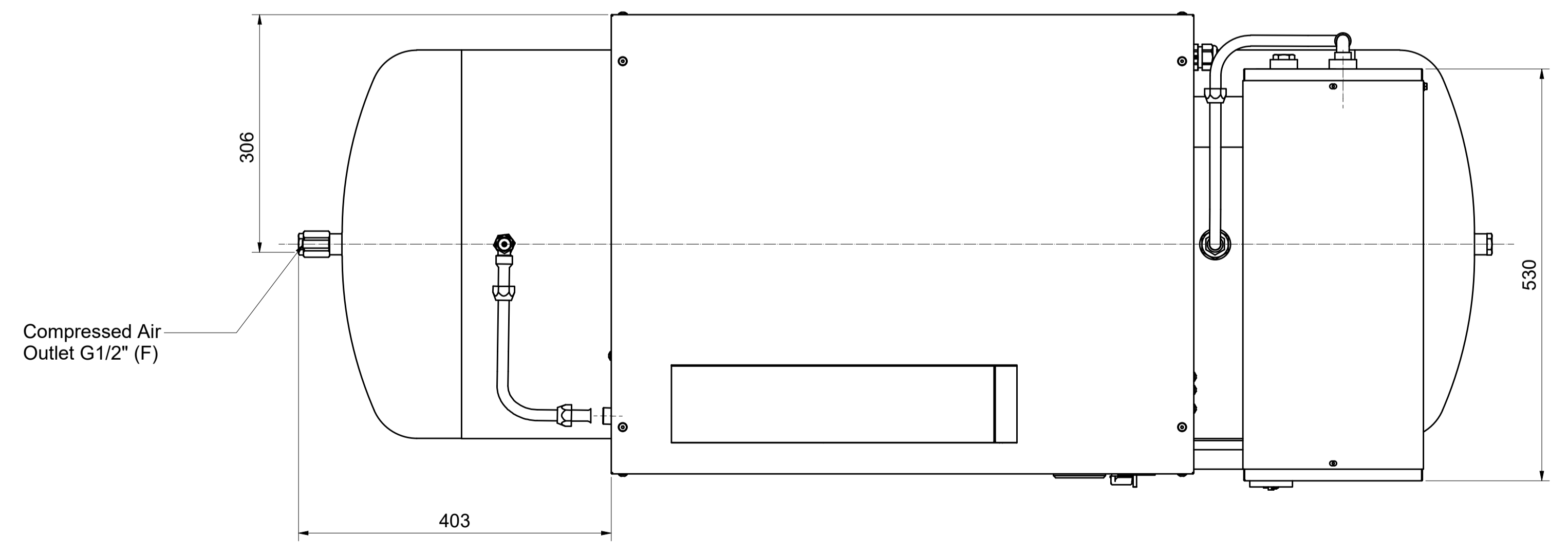
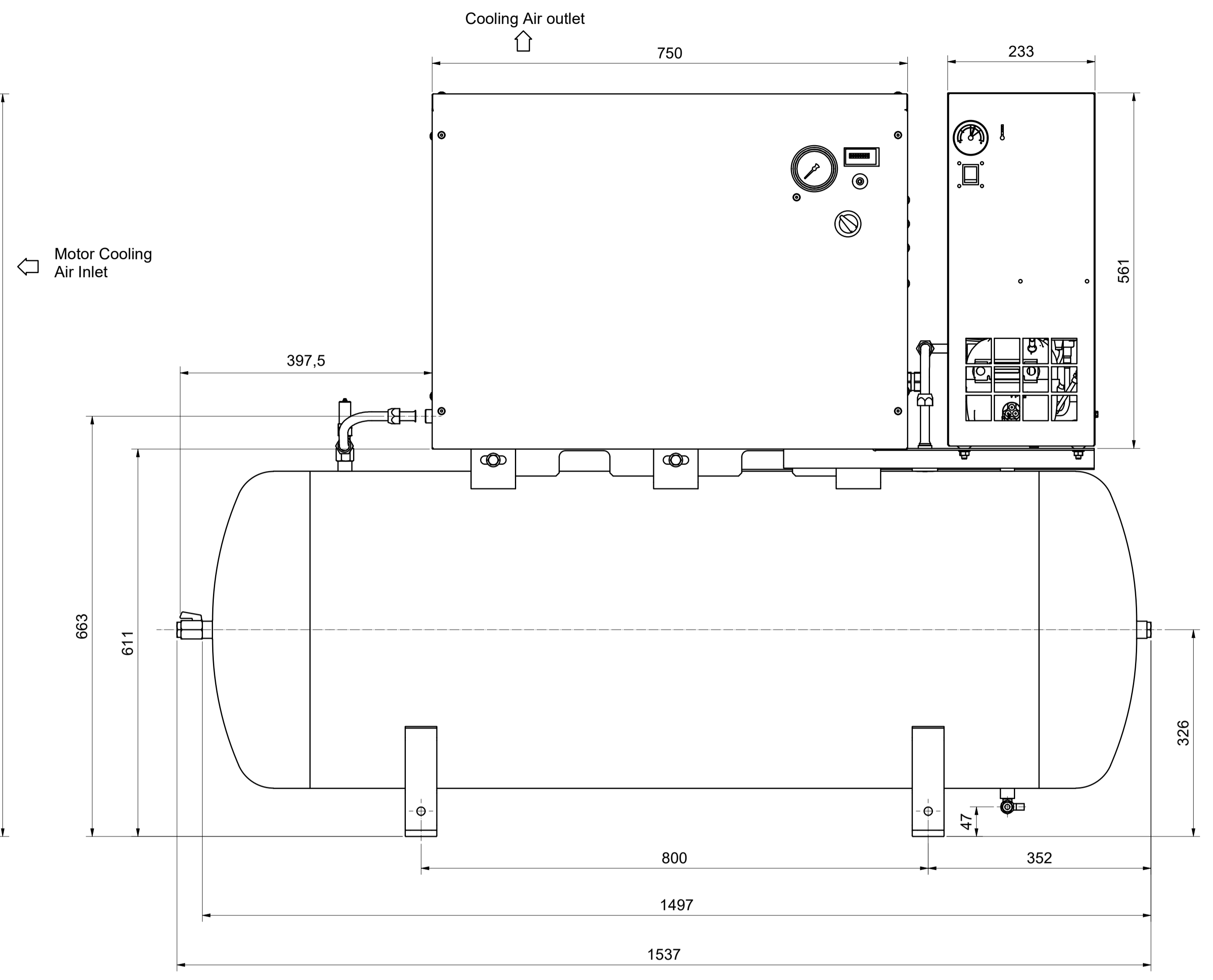
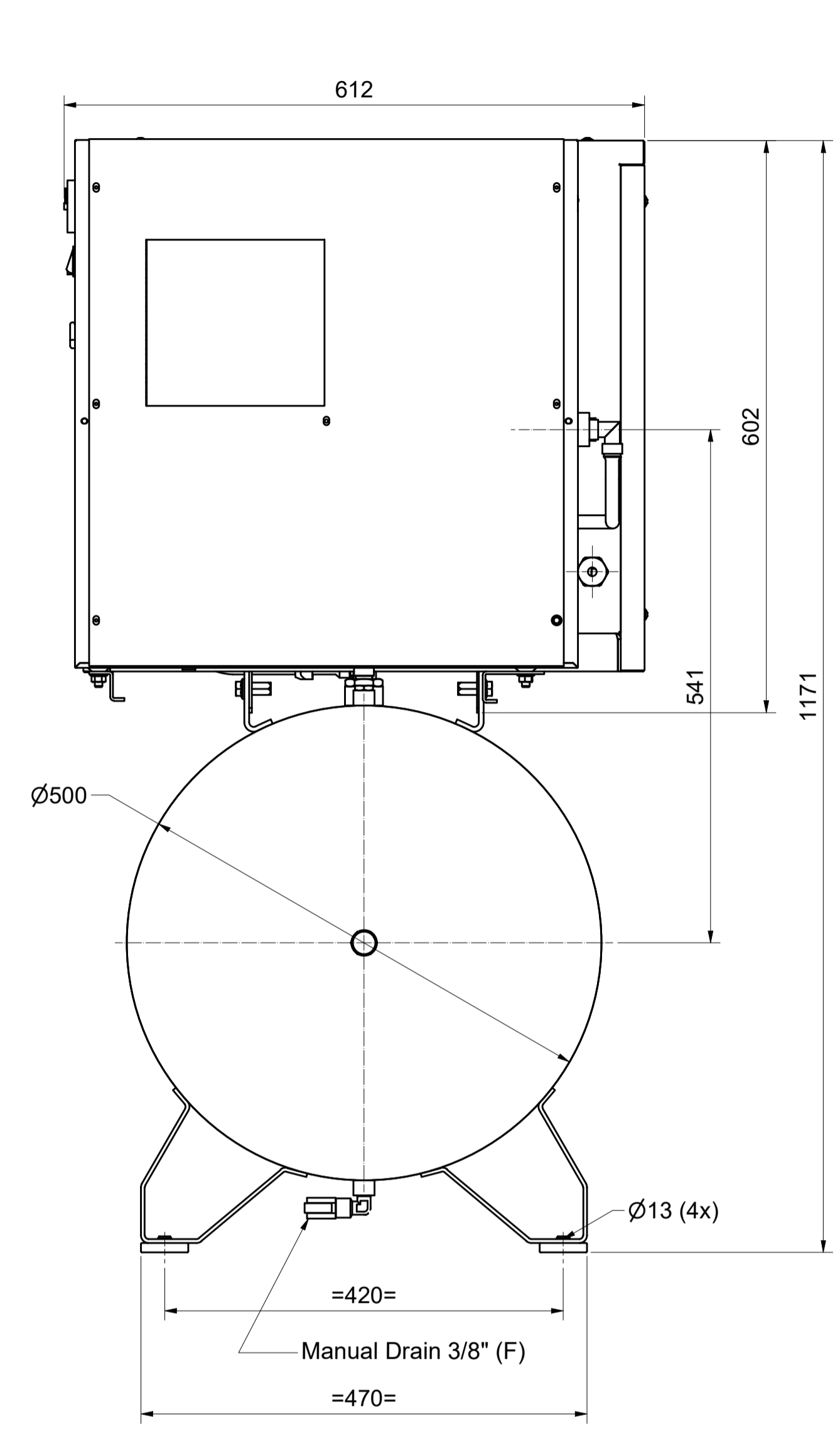


All materials supplied are in compliance with the requirements of the List of Prohibited Substances



NOTE :
- THIS DRAWING CAN NOT BE USED TO MEASURE NOT INDICATED DIMENSIONS

Tolerances, if not indicated, according to:		General tolerances			
ATLAS COPCO STANDARD CLASS		1350K - m			
Name	DIMENSION DRAWING		LS 270 L WITH DRYER		Confidentiality Class acc. to 1102 K
Material	Not Applicable				Internal
Treatment	Not Applicable				INV
Scale	1 : 5	Family		Compare	
Drawn by	INEKCo	Blank nr.		Replaces	
Drawing format	Blank wt	Fini wt.		Designation	
STATUS	A1	Kg		N/A	
Des checked.	Prod checked.	Approved.	Date	07/04/2021	Sheet 1 / 1

4116000554
Parent 3D model Ed . Version 3D For Approval

9820850435

CONFIDENTIAL: This document is property of Atlas Copco AB and shall not be used without our permission. It is intended for manufacturing and communication to our customers and is not to be distributed to any other person or company.

Ed	Position	Modified from	Date	Intr./Appd.
			04-30-2021	INEKCo