

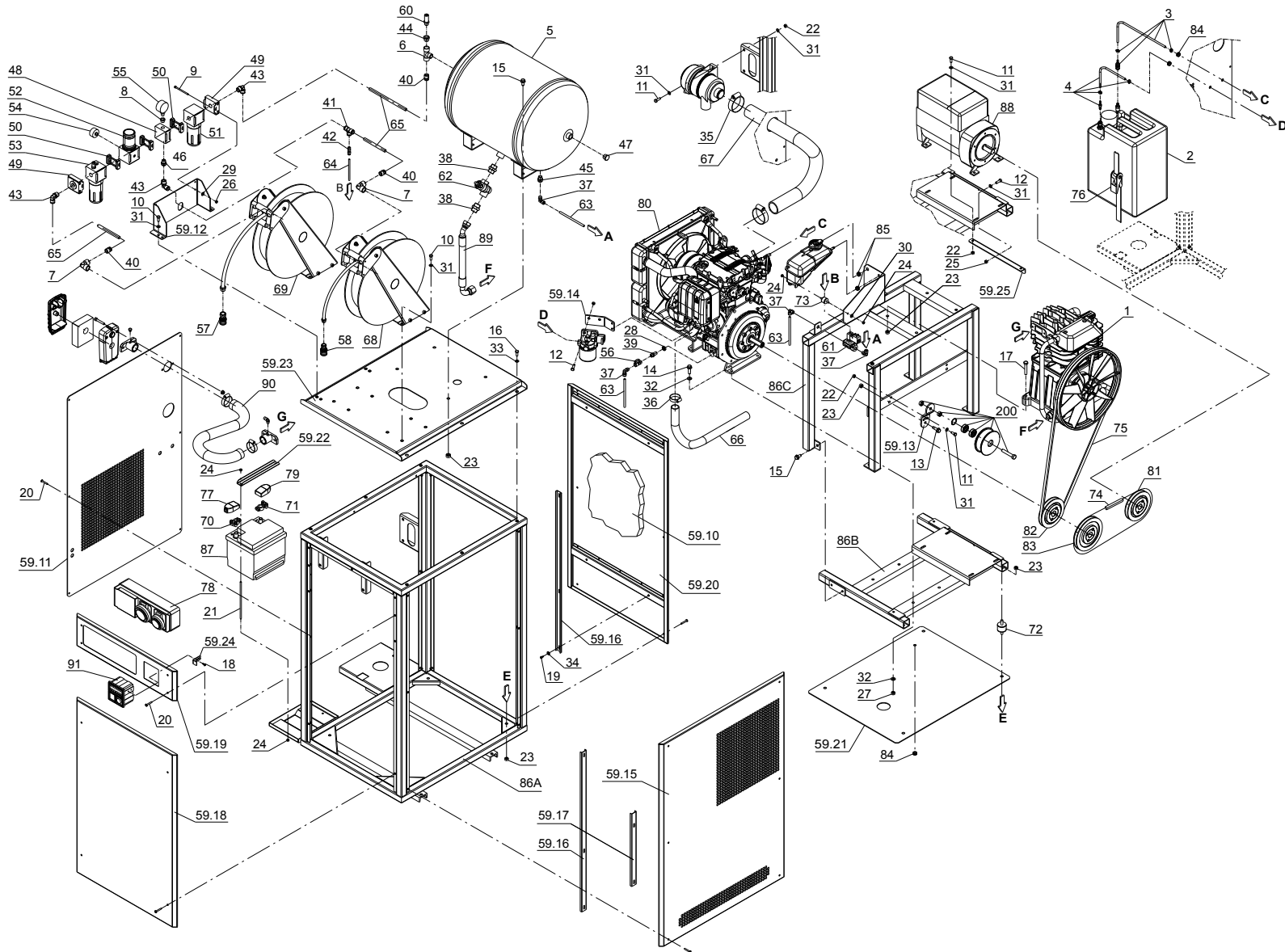


Catalogo parti di ricambio
Spare parts catalogue
Ersatzteilkatalog
Catalogue pieces detachees
Catalogo de repuestos

Model: **MSU 998**
Code: **1121440828**
Valid from: **01/02/2016**

INDEX

Table	Model	pag.
1	1121440828_00	4
2	AB998_00	7
3		
4		
5		
6		
7		
8		
9		
10		





Model: MSU 998
 Code: 1121440828
 Valid from: ..01/02/2016.....

Tav.: 1121440828_00.....

N°	Code	Q.ty	Q.ty*	Description	N°	Code	Q.ty	Q.ty*	Description	N°	Code	Q.ty	Q.ty*	Description
1	1123020122	1		GRUPPO POMPANTE PUMP UNIT	20.	X	16		VITE M5X35 UNI-7380 SCREW	39	1127080114	1		RACCORDO 1/4" MM FITTING
2	1127150902	1		SERBATOIO TANK	21	1127010919	2		TIRANTE M6X500 TIE-ROD	40	1127080347	3		RACCORDO M1/2-TUBO 12 FITTING
3	1124080097	1		TUBO ALIMENTAZIONE CARB. INFEED HOSE	22.	X	8		DADO M8 DIN-6923 NUT	41	1127080348	1		RACCORDO "T" TUBO Ø12 UNION TEE
4	1124080098	1		TUBO RECUPERO CARBURANTE PIPE	23.	X	21		DADO M10 DIN-6923 NUT	42	1127080349	1		RACCORDO TUBO 12X6 FITTING
5	1125150443	1		SERBATOIO 90LT TANK	24.	X	6		DADO M6 UNI-7473 NUT	43	1127080350	3		RACCORDO "L" M1/2-TUBO Ø12 FITTING
6	1126000022	1		RACCORDO T 1/2" FMF UNION TEE	25.	X	1		DADO M8 UNI-7473 NUT	44	1127080502	1		RACCORDO 1/2"-3/8"MF FITTING
7.	X	2		RACCORDO L 1/2" FF ELBOW	26.	X	4		DADO M5 UNI-7473 NUT	45	1127080519	2		RACCORDO 3/8"-1/4" MF FITTING
8	1126000052	1		RACCORDO MF 3/8-1/8 FITTING	27.	X	4		DADO M10 UNI-7473 NUT	46	1127080546	1		RACCORDO 1/2"F-3/8"M FITTING
9.	X	4		VITE M5X80 UNI-5931 SCREW	28	1127020304	1		CONTRODADO 1/4" LOCK NUT	47	1127090003	1		TAPPO M1/2" PLUG
10.	X	14		VITE M8X20 UNI-5739 SCREW	29.	X	4		RONDELLA Ø5 UNI-6592 WASHER	48	1127100004	1		PRESA ARIA TRADUZIONE MANCANTE
11.	X	7		VITE M8X25 UNI-5739 SCREW	30.	X	10		RONDELLA Ø6 UNI-6592 WASHER	49	1127100005	2		KIT INGRESSO/USCITA KIT
12.	X	2		VITE M8X30 UNI-5739 SCREW	31.	X	23		RONDELLA Ø8 UNI-6592 WASHER	50	1127100006	3		KIT COLLEGAMENTO FILTRI KIT
13.	X	4		VITE M10X30 UNI-5739 SCREW	32.	X	8		RONDELLA Ø10 UNI-6592 WASHER	51	1127100008	1		FILTRO ARIA AIR FILTER
14.	X	4		VITE M10X35 UNI-5739 SCREW	33.	X	7		RONDELLA Ø6,4X18X1,5 UNI-6593 WASHER	52	1127100009	1		RIDUTTORE DI PRESSIONE PRESSURE REDUCER
15.	X	10		VITE M10X20 DIN-6921 SCREW	34.	X	13		RONDELLA Ø5,5X15X1,6 UNI-6593 WASHER	53	1127100110	1		LUBRIFICATORE LUBRICATOR
16.	X	6		VITE M6X16 UNI-5739 SCREW	35	1127040314	4		FASCETTA CLAMP	54	1127110024	1		MANOMETRO Ø40-1/8" PRESSURE GAUGE
17.	X	4		VITE M10X65 UNI-5737 SCREW	36	1127040335	1		FASCETTA CLAMP	55	1127110059	1		MANOMETRO Ø40 - 1/8" RADIALE PRESSURE GAUGE
18.	X	4		VITE M5X12 UNI-8112 SCREW	37	1127080097	4		RACCORDO "L" M1/4"-8 RAPIDO FITTING	56	1127130017	1		RUBINETTO A SFERA MF 1/4" BALL COCK
19.	X	13		VITE M5X15 UNI-8112 SCREW	38	1127080112	4		RACCORDO 3/4"X3/4" SVF FITTING	57	1127130093	1		RUBINETTO UNIVERSALE F-1/2 - CON SIC. TAP

Q.ty = Quantità unitaria / Single unit quantity / Quantité unitaire / Cantidad unitaria / Einzeleinheitsmenge

Q.ty* = Ricambi consigliati in percentuale / Suggested spare parts in percentage / Pièces de rechange suggérées en pourcentage / Piezas de repuesto sugeridas en porcentaje / Vorgeschlagene Ersatzteile in Prozent



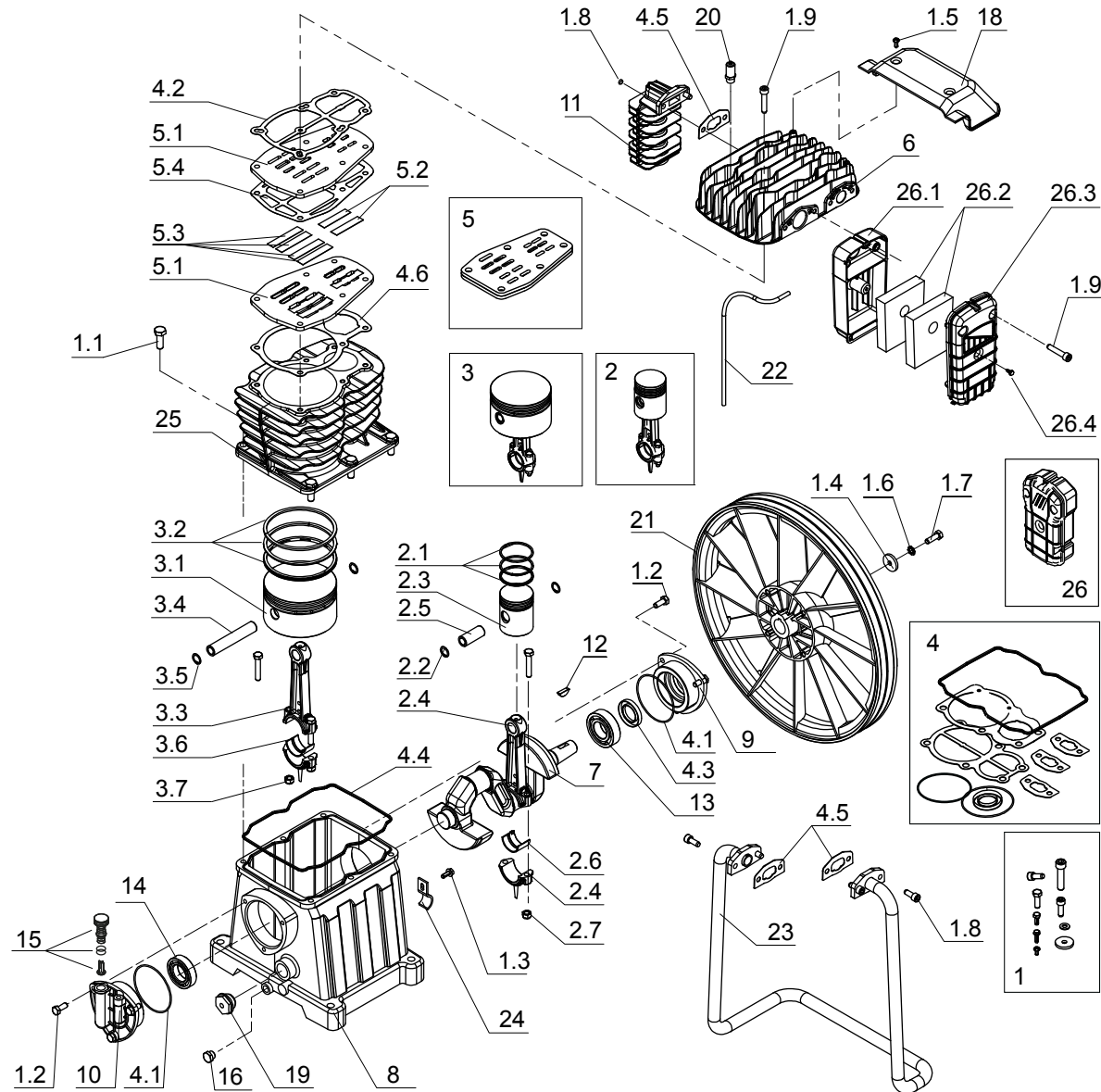
Model: MSU 998
 Code: 1121440828
 Valid from: ..01/02/2016.....

Tav.: 1121440828_00.....

N°	Code	Q.ty	Q.ty*	Description	N°	Code	Q.ty	Q.ty*	Description	N°	Code	Q.ty	Q.ty*	Description
58	1127130094	1		RUBINETTO UNIVERSALE F-3/8 - CON SIC. TAP	61	1127190477	1		ELETTROVALVOLA SOLENOID VALVE	80	1127380016	1		MOTORE A SCOPPIO I.C. ENGINE
59	1127150032	1		KIT PANNELLI KIT	62	1127190678	1		DISGIUNTORE AUTOMATIC UNLOADING VALVE	81	1127400605	1		PULEGGIA 140 1SPA F24-C/BUSSOLA PULLEY
59.10	1127210531	1		KIT FONOASSORBENTE SOUNDPROF KIT	63	1127230002	6		TUBO RILSAN Ø8X6 RILSAN TUBE	82	1127400522	1		PULEGGIA 118 1A F25.4 C/BUSSOLA PULLEY
59.11	1120023230	1		PANNELLO POSTERIORE REAR PANEL	64	1127230004	0,8		TUBO DI SFIATO 6X4 PIPE	83	1127400611	1		PULEGGIA 150 1A F25,4 PULLEY
59.12	1120023363	1		STAFFA RIDUTTORE DI PRESSIONE BRACKET	65	1127230006	2		TUBO RILSAN Ø12X10 RILSAN TUBE	84	1127500007	4		PASSACAVO FAIRLEAD
59.13	1127510328	1		STAFFA TENDICINGHIA BRACKET	66	1127230911	1		TUBO SCARICO MARMITTA EXHAUST TUBE	85	1127500023	3		PASSACAVO FAIRLEAD
59.14	1127510330	1		SUPPORTO FILTRO SUPPORT	67	1127230918	0,75		TUBO FLEX. Ø50 PIPE	86A	1127510020	1		TELAIO COMPRESSORE FRAME
59.15	1120023425	1		PANNELLO FRONTALE FRONT PANEL	68	1127290200	1		ARROTOLATORE TUBO Ø10-3/8 HOSERILL	86B	1127510335	1		TELAIO MOTORE-GENERATORE FRAME
59.16	1127510019	5		SUPPORTO SUPPORT	69	1127290201	1		ARROTOLATORE TUBO Ø12-1/2 HOSERILL	86C	1127510021	1		SUPPORTO GRUPPO SUPPORT
59.17	1127510031	1		SUPPORTO SUPPORT	70	1127310210	1		MORSETTO BATTERIA POLO POS. CLAMP	87	1127510671	1		BATTERIA BATTERY
59.18	1120023428	1		PANNELLO LATERALE SIDE PANEL	71	1127310211	1		MORSETTO BATTERIA POLO NEG. CLAMP	88	1127560015	1		GENERATORE DI CORRENTE GENERATOR
59.19	1127510333	1		CRUSCOTTO DASHBOARD	72	1127360440	4		ANTIVIBRANTE Ø40X30 M10 VIBRATION-DAMPING	89	1127230873	1		TUBO GOMMA PIPE
59.20	1120023426	1		PANNELLO LATERALE SIDE PANEL	73	1127360441	1		ANTIVIBRANTE Ø25X20 MM6 SH60 VIBRATION-DAMPING	90	1127230920	1		TUBO CORRUGATO PIPE
59.21	1120023524	1		BASE BASE PLATE	74	1127370027	1		CINGHIA TRAP. A 40 BELT	91	1127380736	1		BLOCCH. AVVIAMENTO MOTORE TRADUZIONE MANCANTE
59.22	1127510715	1		SUPPORTO SUPPORT	75	1127370043	1		CINGHIA TRAP. A 81 BELT	200	1124080385	1		KIT TENDICINGHIA KIT
59.23	1120023819	1		PANNELLO SUPERIORE UPPER PANEL	76	1127370077	1		CINGHIA BELT					
59.24	1120011795	2		STAFFA BRACKET	77	1127380201	1		COPRIMORSETTO TERMINAL CAP					
59.25.	X	1		STAFFA TENDICINGHIA BATTERIA BRACKET	78	1127380205	1		IMPIANTO ELETTRICO ELETTRIC BOARD					
60	1127190252	1		VALVOLA DI SIC. 3/8"14,25BAR "ISPESL" RELIEF VALVE	79	1127380684	1		COPRIMORSETTO TERMINAL CAP					

Q.ty = Quantità unitaria / Single unit quantity / Quantité unitaire / Cantidad unitaria / Einzeleinheitsmenge

Q.ty* = Ricambi consigliati in percentuale / Suggested spare parts in percentage / Pièces de rechange suggérées en pourcentage / Piezas de repuesto sugeridas en porcentaje / Vorgeschlagene Ersatzteile in Prozent





Model: MSU 998
 Code: 1121440828
 Valid from: ..01/02/2016.....

Tav.: AB998_00.....

N°	Code	Q.ty	Q.ty*	Description	N°	Code	Q.ty	Q.ty*	Description	N°	Code	Q.ty	Q.ty*	Description
1	1124080091	1		KIT VITI SCREWS KIT	3.1	1127220035	1		PISTONE Ø120 PISTON	6	1125030063	1		TESTA HEAD
1.1.	X	6		VITE M10X30 UNI-5739 SCREW	3.2	1124080089	1		KIT SEGMENTI BP PISTON RING KIT	7	1125040126	1		ALBERO A GOMITO CRANKSHAFT
1.2.	X	6		VITE M8X20 UNI-5739 SCREW	3.3	1124190010	1		BIELLA CONNECTING ROD	8	1125070027	1		CARTER CRANKCASE
1.3.	X	1		VITE M6X16 UNI 8111 SCREW	3.4.	X	1		SPINOTTO 18X99X12 GUDGEON PIN	9	1125080205	1		SUPPORTO SUPPORT
1.4.	X	1		RONDELLA Ø8X30 UNI-6593 WASHER	3.5.	X	2		SEEGER I18 UNI7437 INTERNAL SNAPRING	10	1125080209	1		SUPPORTO SUPPORT
1.5.	X	2		VITE M5X12 - UNI8112 SCREW	3.6	1127060053	1		CUSCINETTO BIELLA AB 991 BEARING	11	1125130001	1		REFRIGERATORE COOLER
1.6.	X	1		ROND. DENT D.8 UNI 8842 WASHER	3.7.	X	2		DADO M8 DIN-980 NUT	12	1127050152	1		CHIAVETTA AMERICANA 6X9 FEATHER
1.7.	X	1		VITE M8X25 UNI-5739 SCREW	4	1124080189	1		KIT GUARNIZIONI GASKETS KIT	13	1127060015	1		CUSCINETTO 6206 BEARING
1.8.	X	6		VITE TCEI M8X20 - UNI5931 SCREW	4.1.	X	2		O-RING Ø82X2 O RING	14	1127060016	1		CUSCINETTO 6006 BEARING
1.9.	X	8		VITE TCEI M8X40 - UNI5931 SCREW	4.2.	X	1		GUARNIZIONE TESTA-PIASTRA GASKET	15	1129701377	1		TAPPO DI SFIATO PLUG
2	1124080187	1	30	KIT BIELLA/PISTONE AP CON ROD-PISTON KIT	4.3.	X	1		PARAOLIO 30X47X7 OIL SEAL	16	1127090009	1		TAPPO M1/4 - OTTONE PLUG
2.1	1124080027	1	30	KIT SEGMENTI AP PISTON RING KIT	4.4.	X	1		GUARNIZIONE GASKET	18	1127150305	1		CONVOGLIATORE CONVEYOR
2.2.	X	2		SEEGER I18 UNI7437 INTERNAL SNAPRING	4.5.	X	3		GUARNIZIONE GASKET	19	7188060000	1		SPIA LIVELLO OLIO OIL LIGHT
2.3	1127220024	1		PISTONE Ø55 PISTON	4.6.	X	1		GUARNIZIONE GASKET	20	1127190235	1		VALVOLA DI SICUREZZA M1/4 RELIEF VALVE
2.4	1124190010	1		BIELLA CONNECTING ROD	5	1124230129	1	30	PIASTRA VALVOLE VALVE PLATE	21	1127200124	1		VOLANO FLYWHEEL
2.5.	X	1		SPINOTTO Ø18 GUDGEON PIN	5.1.	X	2		PIASTRA VALVOLE VALVE PLATE	22	1127230004	1		TUBO DI SFIATO 6X4 PIPE
2.6	1127060053	1		CUSCINETTO BIELLA AB 991 BEARING	5.2.	X	2		VALVOLA VALVE	23	1127230270	1		REFRIGERATORE INTERMEDIO COOLER
2.7.	X	2		DADO M8 DIN-980 NUT	5.3.	X	4		VALVOLA VALVE	24	1127450891	1		STAFFA BRACKET
3	1124080188	1		KIT BIELLA/PISTONE BP CON ROD-PISTON KIT	5.4.	X	1		GUARNIZIONE GASKET	25	1127570547	1		CILINDRO CYLINDER

Q.ty = Quantità unitaria / Single unit quantity / Quantité unitaire / Cantidad unitaria / Einzeleinheitsmenge

Q.ty* = Ricambi consigliati in percentuale / Suggested spare parts in percentage / Pièces de rechange suggérées en pourcentage / Piezas de repuesto sugeridas en porcentaje / Vorgeschlagene Ersatzteile in Prozent



Model: MSU 998
 Code: 1121440828
 Valid from: .01/02/2016

Tav.: **AB998_00**

N°	Code	Q.ty	Q.ty*	Description
26	1129702979	1		FILTRO COMPLETO FILTER
26.1.	X	1		BASE FILTRO BASE PLATE
26.2	1129101380	2	30	ELEMENTO FILTRANTE FILTER CARTRIDGE
26.3.	X	1		COPERCHIO FILTRO FILTER COVER
26.4.	X	1		VITE Ø4.2000X12 - UNI1477 SCREW

N°	Code	Q.ty	Q.ty*	Description

N°	Code	Q.ty	Q.ty*	Description

Q.ty = Quantità unitaria / Single unit quantity / Quantité unitaire / Cantidad unitaria / Einzeleinheitsmenge
 Q.ty* = Ricambi consigliati in percentuale / Suggested spare parts in percentage / Pièces de rechange suggérées en pourcentage / Piezas de repuesto sugeridas en porcentaje / Vorgeschlagene Ersatzteile in Prozent