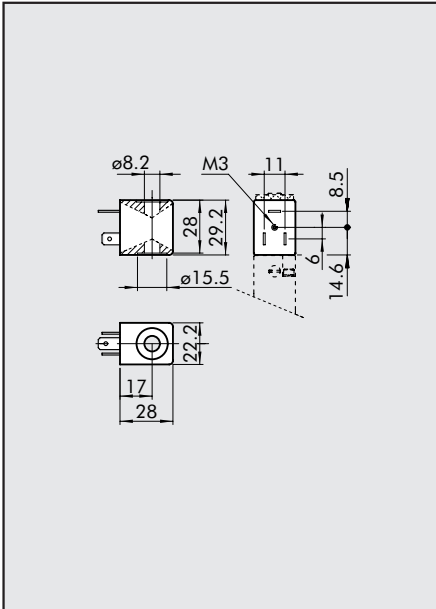
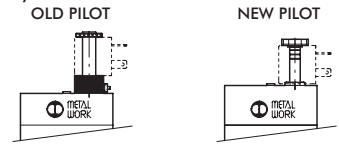


COILS FOR SERIES 70 SOV 1/2" VALVES



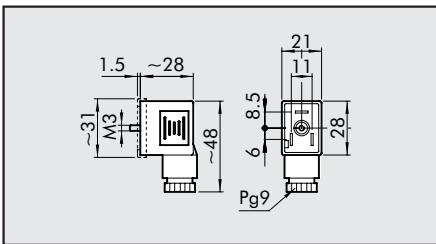
- Voltage tolerance: -10% + 15%
- Insulation class: F155
- Degree of protection: IP65 EN60529 with connector
- Avoid prolonged exposure to the atmospheric agents
- Coil temperature 100% ED: from 70°C to 20°C – Ambient temperature
- According to Atex 94/9 CE rule, group 2, category 3 GD

- Coils usable with valves having either new pilot and old pilot
- ◆ Coils at low absorption usable only with valves having new pilot



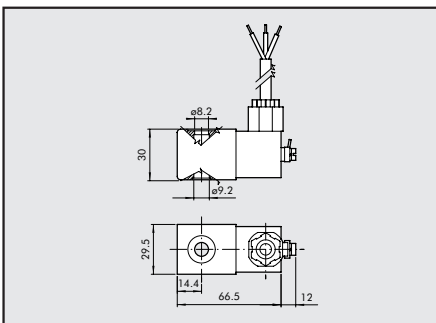
Nominal voltage	Absorption		Abbrev.	Code
	Inrush	Holding		
12Vcc	5W	5W	Coil 22 Ø8 5W-12VDC	W0215000051 ■
24Vcc	5W	5W	Coil 22 Ø8 5W-24VDC	W0215000001 ■
24V 50/60Hz	8VA	5VA	Coil 22 Ø8 5VA-24VAC	W0215000011 ■
110V 50/60Hz	8VA	5VA	Coil 22 Ø8 5VA-110VAC	W0215000021 ■
220V 50/60Hz	8VA	5VA	Coil 22 Ø8 5VA-220VAC	W0215000031 ■
12Vcc	2W	2W	Coil 22 Ø8 BA 2W-12VDC	W0215000151 ◆
24Vcc	2W	2W	Coil 22 Ø8 BA 2W-24VDC	W0215000101 ◆
24V 50/60Hz	5.3VA	3.5VA	Coil 22 Ø8 BA 3.5VA-24VAC	W0215000111 ◆
110V 50/60Hz	5.3VA	3.5VA	Coil 22 Ø8 BA 3.5VA-110VAC	W0215000121 ◆
220V 50/60Hz	5.3VA	3.5VA	Coil 22 Ø8 BA 3.5VA-220VAC	W0215000131 ◆

COIL CONNECTORS



Colour	Ø Cable	Type	Code
Black	PG9	Standard	W0970510011
Transparent	PG9	LED 24V	W0970510012
Transparent	PG9	LED 110V	W0970510013
Transparent	PG9	LED 220V	W0970510014
Transparent	PG9	LED + VDR 24V	W0970510015
Transparent	PG9	LED + VDR 110V	W0970510016
Transparent	PG9	LED + VDR 220V	W0970510017

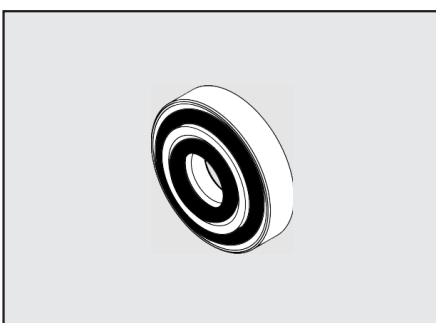
KIT COIL EEXM



Code	Description
0227606913	KIT FOR COIL 30 24 VDC EEXMT5 CABLE 3M
0227606915	KIT FOR COIL 30 24 VDC EEXMT5 CABLE 5M
0227608013	KIT FOR COIL 30 24 VAC EEXMT5 CABLE 3M
0227608015	KIT FOR COIL 30 24 VAC EEXMT5 CABLE 5M
0227608023	KIT FOR COIL 30 110 VAC EEXMT5 CABLE 3M
0227608025	KIT FOR COIL 30 110 VAC EEXMT5 CABLE 5M
0227608033	KIT FOR COIL 30 230 VAC EEXMT5 CABLE 3M
0227608035	KIT FOR COIL 30 230 VAC EEXMT5 CABLE 5M

according to Atex 94/9 CE rule, group 2, category 2 GD

KIT COILS SIDE 22 IP65



Code	Description
0222100100	KIT FOR COILS 22 - IP65

Improved IP65 protection, even after prolonged exposure to atmospheric agents.
Applicable to valves with a technopolymer control.