

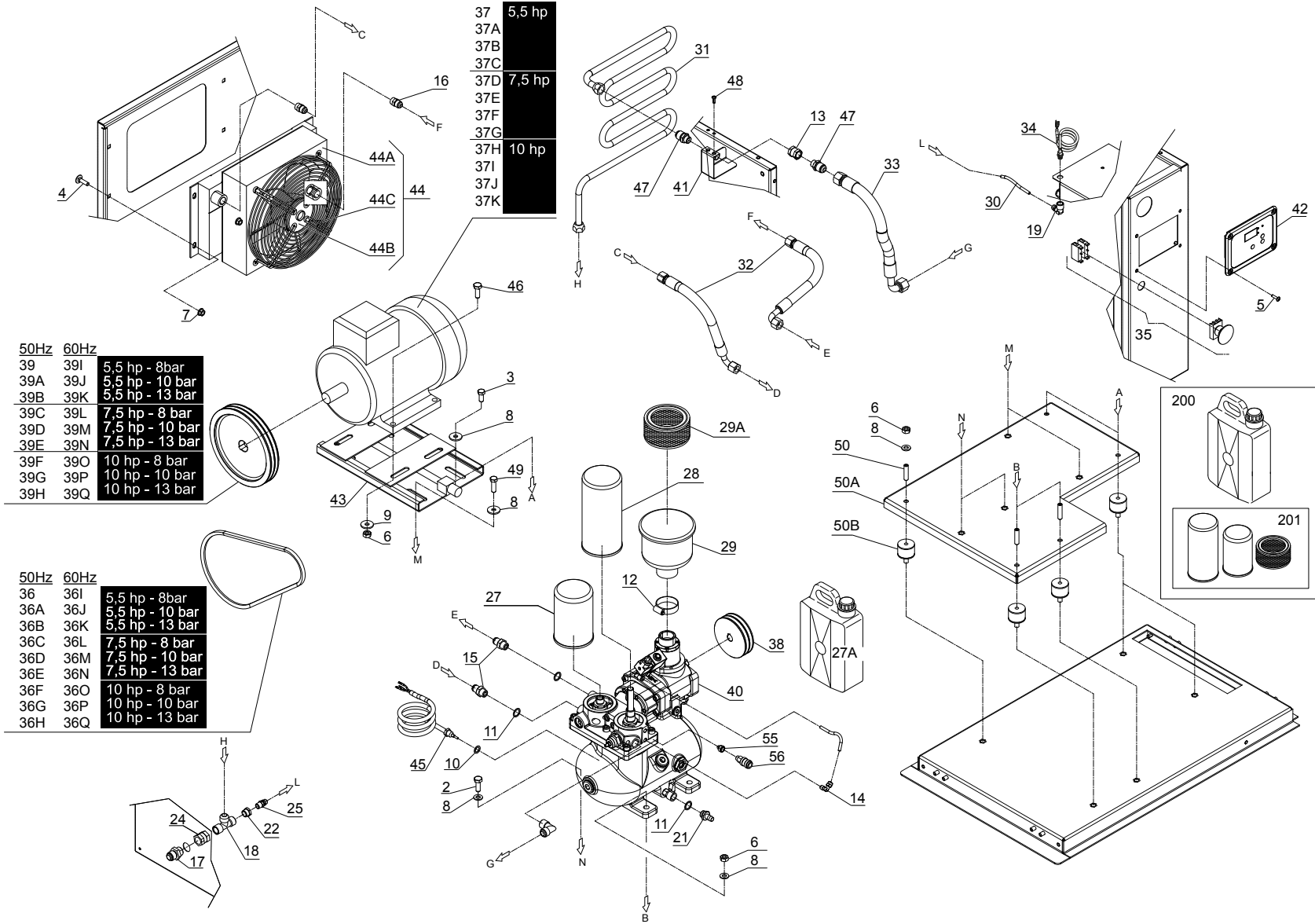


Catalogo parti di ricambio
Spare parts catalogue
Ersatzteilkatalog
Catalogue pieces detachees
Catalogo de repuestos

Model: **NEW SILVER 5.5-10**
Code: **1127340125**
Valid from: **20/07/2017**

INDEX

Table	Model	pag.
1	NSIL5-10_T1_03	4
2	NSIL5-10_T2_03	7
3	PACKSMART V60_01	10
4	NSIL5-10_T4_03	12
5	ESS_C3_00	14
6		
7		
8		
9		
10		





Model: NEW SILVER 5.5-10
 Code: 1127340125
 Valid from: 20/07/2017.....

Tav.: NSIL5-10_T1_03.....

N°	Code	Q.ty	Q.ty*	Description	N°	Code	Q.ty	Q.ty*	Description	N°	Code	Q.ty	Q.ty*	Description
2.	X	8		VITE TE M10X30 SCREW	22	1127080519	1		RACCORDO MM3/8X1/4 FITTING	36E	1127370153	2	10	CINGHIA SPZX850 (10HP/60HZ-13 BAR) BELT
3.	X	2		VITE TE M10X20 SCREW	24	1127080570	1		MANICOTTO 1/2 SLEEVE	36F	1127370095	2	10	CINGHIA SPZX 1012 (10HP/50HZ-8 BAR) BELT
4.	X	4		VITE T/BOMB. M8X30 SCREW	25	1127080672	1		RACCORDO DRITTO M1/4 TUBO Ø6 STRAIGHT FITTING	36G	1127370101	2	10	CINGHIA SPZX 950 (10HP/50HZ-10 BAR) BELT
5.	X	4		VITE TBL M5X20 SCREW	27	1127210007	1		FILTRO OLIO OIL FILTER	36H	1127370121	2	10	CINGHIA SPZX925 (10HP/60HZ-8 BAR) BELT
6.	X	4		DADO M10 NUT	27A	1127120020	1		OLIO PER MANUTENZIONE OIL	36I	1127370158	1	10	CINGHIA SPZX825 (5,5HP/60HZ-8 BAR) BELT
7.	X	4		DADO M8 C/FLANGIA NUT	28	1127210050	1		FILTRO DISOLEATORE OIL SEPARATOR FILTER	36J	1127370064	1	10	CINGHIA SPZX787 (7,5HP/60HZ-13 BAR) BELT
8.	X	9		RONDELLA Ø10 WASHER	29	1127210290	1		FILTRO ARIA COMPLETO AIR FILTER	36K	1127370109	1	10	CINGHIA SPZX750 (5,5HP/60HZ-13 BAR) BELT
9.	X	8		RONDELLA Ø10X30 WASHER	29A	1127210216	1		CARTUCCIA FILTRO ARIA FILTER CARTRIDGE	36L	1127370096	1	10	CINGHIA SPZX875 (10HP/60HZ-10 BAR) BELT
10.	X	1		RONDELLA 1/4 ALLUMINIO WASHER	30	1122720310	1		KIT TUBO RILSAN RILSAN PIPE KIT	36M	1127370153	1	10	CINGHIA SPZX850 (10HP/60HZ-13 BAR) BELT
11.	X	3		RONDELLA ALL. Ø3/8" WASHER	31	1127230587	1		TUBO ALIMENTAZIONE RAME INFEEED HOSE	36N	1127370064	1	10	CINGHIA SPZX787 (7,5HP/60HZ-13 BAR) BELT
12	1127040314	1		FASCETTA METALLICA CLAMP	32	1127230586	2		TUBO MANDATA -RITORNO OLIO PIPE	36O	1127370121	2	10	CINGHIA SPZX925 (10HP/60HZ-8 BAR) BELT
13	1126000074	1		MANICOTTO 3/8 SLEEVE	33	1127230585	1		TUBO MANDATA ARIA PIPE	36P	1127370096	2	10	CINGHIA SPZX875 (10HP/60HZ-10 BAR) BELT
14	1127080329	1		RACCORDO A L M1/8" TUBO 6 FITTING	34	1127560517	1		TRASDUTTORE DI PRESSIONE TRANSDUCER	36Q	1127370153	2	10	CINGHIA SPZX850 (10HP/60HZ-13 BAR) BELT
15	1127080134	4		NIPPLO 3/8 NIPPLE	35	1124090329	1		KIT PULSANTE A FUNGO EMERGENZA KIT	37	1127380008	1		MOTORE 5,5 HP-50HZ (DOL V230-400 / DY 230V) MOTOR
16	1127080554	2		RIDUZIONE 1/2X3/8 REDUCTION	36	1127370092	1	10	CINGHIA SPZX862 (5,5HP/50HZ-8 BAR) BELT	37A	1127380455	1		MOTORE 5,5 HP-50HZ (DY 400V) MOTOR
17	1127080131	1		NIPPLO 1/2 TUBO RAME NIPPLE	36A	1127370158	1	10	CINGHIA SPZX825 (5,5HP/60HZ-8 BAR) BELT	37B	1127380546	1		MOTORE 5,5 HP-60HZ (DOL V220-380 / DY 220V) MOTOR
18	1127080270	1		RACCORDO A T 3/8FX1/2SVMX1/2M FITTING	36B	1127370064	1	10	CINGHIA SPZX787 (7,5HP/60HZ-13 BAR) BELT	37C	1120015766	1		MOTORE 5,5 HP-60HZ (DY 380V) MOTOR
19	1127080328	1		RACCORDO A L F1/4" TUBO 6 FITTING	36C	1127370101	2	10	CINGHIA SPZX 950 (10HP/50HZ-10 BAR) BELT	37D	1127380312	1		MOTORE 7,5 HP-50HZ (DY 230V) MOTOR
21	1127080394	1		RACCORDO A L F1/8" TUBO 6 FITTING	36D	1127370121	2	10	CINGHIA SPZX925 (10HP/60HZ-8 BAR) BELT	37E	1127380538	1		MOTORE 7,5 HP-50HZ (DY 400V) MOTOR

Q.ty = Quantità unitaria / Single unit quantity / Quantité unitaire / Cantidad unitaria / Einzeleinheitsmenge

Q.ty* = Ricambi consigliati in percentuale / Suggested spare parts in percentage / Pièces de rechange suggérées en pourcentage / Piezas de repuesto sugeridas en porcentaje / Vorgeschlagene Ersatzteile in Prozent



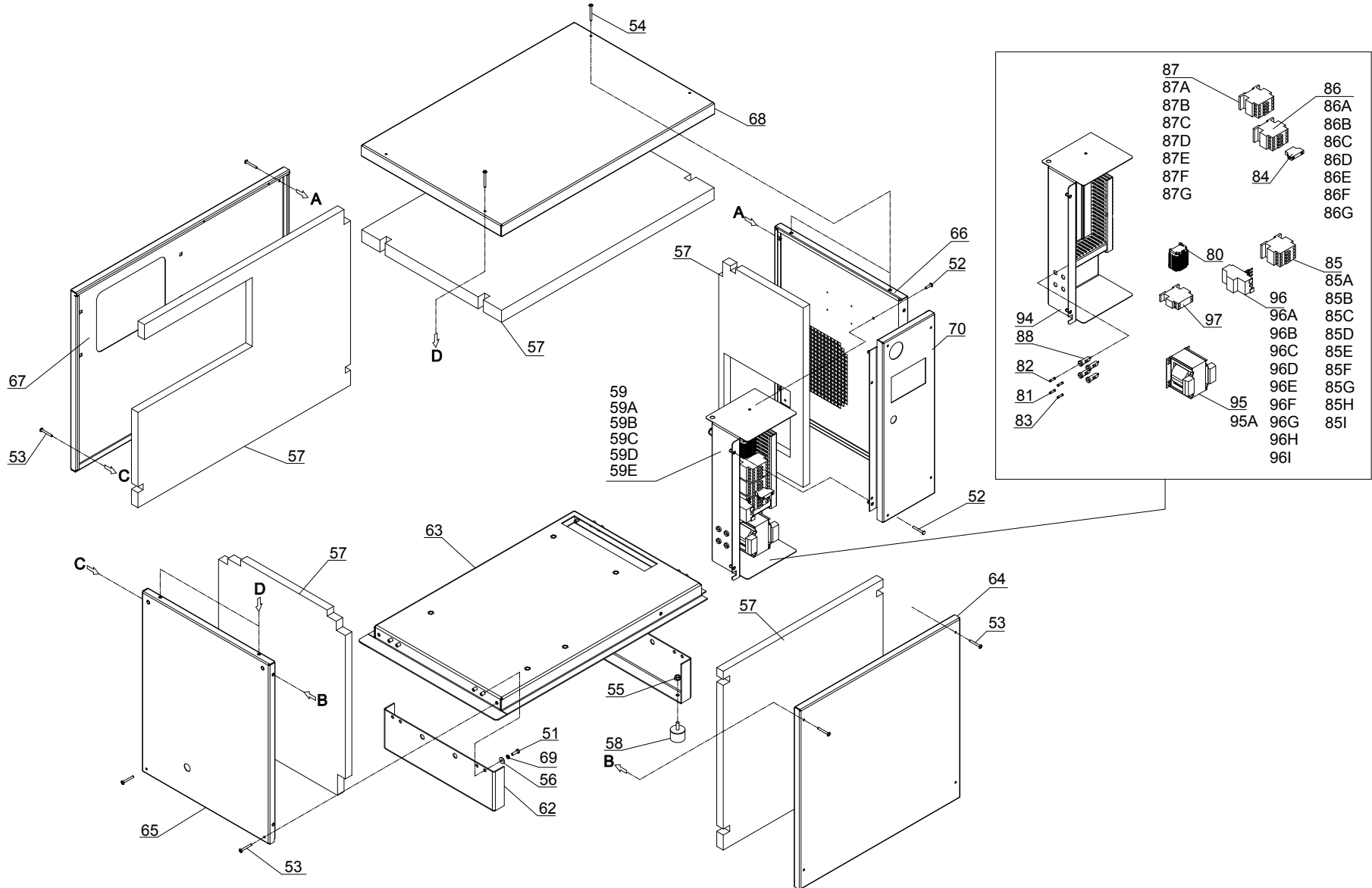
Model: NEW SILVER 5.5-10
 Code: 1127340125
 Valid from: 20/07/2017

Tav.: NSIL5-10_T1_03

N°	Code	Q.ty	Q.ty*	Description	N°	Code	Q.ty	Q.ty*	Description	N°	Code	Q.ty	Q.ty*	Description
37F	1127380540	1		MOTORE 7,5 HP-60HZ (DY 220V) MOTOR	39L	1127400857	1		PUL. ØP180 1SPZ F28 (7,5HP/60HZ - 8 BAR) PULLEY	50.	X	5		VITE STEI M10X45 SCREW
37G	1127380547	1		MOTORE 7,5 HP-60HZ (DY 380V) MOTOR	39M	1127400695	1		PUL. ØP160 1SPZ F28 (7,5HP/60HZ - 10 BAR) PULLEY	50A	1125010218	1		BASE GRUPPO VITE-MOTORE BASE PLATE
37H	1127380283	1		MOTORE 10 HP-50HZ (DY 230V) MOTOR	39N	1127400017	1		PUL. ØP150 1SPZ F28 (7,5HP/60HZ - 13 BAR) PULLEY	50B	1127360419	5		ANTIVIBRANTE VIBRATION-DAMPING
37I	1127380518	1		MOTORE 10 HP-50HZ (DY 400V) MOTOR	39O	1127400996	1		PUL. ØP200 2SPZ F28 (10HP/60HZ - 8 BAR) PULLEY	55	1127080574	1		RIDUZIONE REDUCTION
37J	1127380541	1		MOTORE 10 HP-60HZ (DY 220V) MOTOR	39P	1127400791	1		PUL. ØP180 2SPZ F28 (10HP/60HZ - 10 BAR) PULLEY	56	1127130087	1		RUBINETTO RAPIDO SNAP COCK
37K	1127380548	1		MOTORE 10 HP-60HZ (DY 380V) MOTOR	39Q	1127400706	1		PUL. ØP160 2SPZ F28 (10HP/60HZ - 13 BAR) PULLEY	200	1124090535	1	10	KIT MANUTENZIONE MAINTENANCE KIT
38	1127400664	1		PULEGGIA GRUPPO VITE Ø100-2SPZ F16 PULLEY	40	1127420331	1		GRUPPO VITE SCREW PUMP UNIT	201	1124090498	1	10	KIT FILTRI FILTERS KIT
39	1127400695	1		PUL. ØP160 1SPZ F28 (7,5HP/60HZ - 10 BAR) PULLEY	41	1127510179	1		STAFFA FISSAGGIO TUBO MANDATA BRACKET					
39A	1127400660	1		PUL. Ø140 1SPZ F28 (5,5HP/50HZ-10 BAR) PULLEY	42	1127430385	1		SCHEDA ELETTRONICA ELECTRONIC BOARD					
39B	1127400779	1		PUL. Ø125 1SPZ F28 (5,5HP/50HZ-13 BAR) PULLEY	43	1127450703	1		SLITTA TENDICINGHIA SLIDE					
39C	1127400005	1		PUL. Ø224 2SPZ F28 (10HP/50HZ-10 BAR) PULLEY	44	1127510753	1		RADIATORE RADIATOR					
39D	1127400996	1		PUL. ØP200 2SPZ F28 (10HP/60HZ - 8 BAR) PULLEY	44A	1127510366	1		CONVOGLIATORE CONVEYOR					
39E	1127400791	1		PUL. ØP180 2SPZ F28 (10HP/60HZ - 10 BAR) PULLEY	44B	1127190054	1		ELETTROVENTOLA FAN					
39F	1127400663	1		PUL. Ø250 2SPZ F28 (10HP/50HZ-8 BAR) PULLEY	44C	1127190443	1		GRIGLIA VENTOLA FAN GRID					
39G	1127400005	1		PUL. Ø224 2SPZ F28 (10HP/50HZ-10 BAR) PULLEY	45	1127560620	1		SONDA TEMPERATURA PROBE					
39H	1127400996	1		PUL. ØP200 2SPZ F28 (10HP/60HZ - 8 BAR) PULLEY	46.	X	4		VITE T.E. M10X35 SCREW					
39I	1127400790	1		PUL. ØP132 1SPZ F28 (5,5HP/60HZ - 8 BAR) PULLEY	47	1127080125	2		RACCORDO 1/2X3/8 TUBO RAME FITTING					
39J	1127400914	1		PUL. ØP118 1SPZ F28 (5,5HP/60HZ - 10 BAR) PULLEY	48.	X	2		VITE TRILOB. M5X15 SCREW					
39K	1127400712	1		PUL. ØP100 1SPZ F28 (5,5HP/60HZ - 13 BAR) PULLEY	49.	X	2		VITE T.E. M10X16 SCREW					

Q.ty = Quantità unitaria / Single unit quantity / Quantité unitaire / Cantidad unitaria / Einzeleinheitsmenge

Q.ty* = Ricambi consigliati in percentuale / Suggested spare parts in percentage / Pièces de rechange suggérées en pourcentage / Piezas de repuesto sugeridas en porcentaje / Vorgeschlagene Ersatzteile in Prozent





Model: NEW SILVER 5.5-10
 Code: 1127340125
 Valid from: 20/07/2017

Tav.: NSIL5-10_T2_03

N°	Code	Q.ty	Q.ty*	Description	N°	Code	Q.ty	Q.ty*	Description	N°	Code	Q.ty	Q.ty*	Description
51.	X	8		VITE M6X20 SCREW	63	1120023482	1		BASAMENTO BASE PLATE	85F	1127430419	1		CONTATTORE K3 (208/240V - 60HZ - 7,5HP) CONTACTOR
52.	X	4		VITE TBL M5X20 SCREW	64	1127510413	1		PANNELLO FRONTALE FRONT PANEL	85G	1127430417	1		CONTATTORE K2 (220/240V - 50/60HZ - 10HP) CONTACTOR
53.	X	13		VITE TBL M5X40 SCREW	65	1127510414	1		PANNELLO LATERALE DX RH SIDE PANEL	85H	1120016736	1		CONTATTORE K1 (208/240V - 60HZ - 5,5HP) CONTACTOR
54.	X	4		VITE TBL M5X50 SCREW	66	1127510027	1		PANNELLO LATERALE SX LH SIDE PANEL	85I	1127430417	1		CONTATTORE K2 (220/240V - 50/60HZ - 10HP) CONTACTOR
55.	X	4		DADO M8 C/FLANGIA NUT	67	1127510416	1		PANNELLO POSTERIORE REAR PANEL	86	1127430419	1		CONTATTORE K3 (208/240V - 60HZ - 7,5HP) CONTACTOR
56.	X	8		RONDELLA Ø6X18 WASHER	68	1127510417	1		PANNELLO SUPERIORE UPPER PANEL	86A	1127430418	1		CONTATTORE K3 (220/240V - 50/60HZ - 10HP) CONTACTOR
57	1127210352	5		KIT FONOASSORBENTE SOUNDPROF KIT	69.	X	8		RONDELLA UNI 3707 Ø6 WASHER	86B	1127430419	1		CONTATTORE K3 (208/240V - 60HZ - 7,5HP) CONTACTOR
58	1127360040	4		GOMMINO SERBATOIO RUBBER FOOT	70	1127510415	1		PANNELLO QUADRO ELETTRICO PANEL	86C	1127430418	1		CONTATTORE K3 (220/240V - 50/60HZ - 10HP) CONTACTOR
59	1127410484	1		CASSETTA ELETTRICA (5,5 HP 380-415V 50/60 HZ) ELECTRIC CABINET	80.	X	1		MORSETTIERA TERMINAL BOARD	86D	1127430419	1		CONTATTORE K3 (208/240V - 60HZ - 7,5HP) CONTACTOR
59A	1127410485	1		CASSETTA ELETTRICA (5,5 HP 220-240V 50/60 HZ) ELECTRIC CABINET	81.	X	1		FUSIBILE F4 FUSE	86E	1127430417	1		CONTATTORE K2 (220/240V - 50/60HZ - 10HP) CONTACTOR
59B	1120016799	1		CASSETTA ELETTRICA (5,5 HP 380-415V 50/60 HZ) ELECTRIC CABINET	82.	X	2		FUSIBILE F3-F2 FUSE	86F	1127430418	1		CONTATTORE K3 (220/240V - 50/60HZ - 10HP) CONTACTOR
59C	1127410474	1		CASSETTA ELETTRICA (7,5 HP 380-415V 50/60 HZ) ELECTRIC CABINET	83.	X	1		FUSIBILE F5 FUSE	86G	1127430418	1		CONTATTORE K3 (220/240V - 50/60HZ - 10HP) CONTACTOR
59D	1127410475	1		CASSETTA ELETTRICA (10 HP 380-415V 50/60 HZ) ELECTRIC CABINET	84	1127430421	2		CONTATTO NC CONTACT	87	1127430419	1		CONTATTORE K3 (208/240V - 60HZ - 7,5HP) CONTACTOR
59E	1120016800	1		CASSETTA ELETTRICA (5,5 HP 220-240V 50/60 HZ) ELECTRIC CABINET	85	1127430418	1		CONTATTORE K3 (220/240V - 50/60HZ - 10HP) CONTACTOR	87A	1127430419	1		CONTATTORE K3 (208/240V - 60HZ - 7,5HP) CONTACTOR
59F	1127410487	1		CASSETTA ELETTRICA (7,5 HP 220-240V 50/60 HZ) ELECTRIC CABINET	85A	1127430417	1		CONTATTORE K2 (220/240V - 50/60HZ - 10HP) CONTACTOR	87B	1127430419	1		CONTATTORE K3 (208/240V - 60HZ - 7,5HP) CONTACTOR
59G	1127410486	1		CASSETTA ELETTRICA (10 HP 220-240V 50/60 HZ) ELECTRIC CABINET	85B	1127430419	1		CONTATTORE K3 (208/240V - 60HZ - 7,5HP) CONTACTOR	87C	1127430419	1		CONTATTORE K3 (208/240V - 60HZ - 7,5HP) CONTACTOR
59H	1127410405	1		CASSETTA ELETTRICA (5,5 HP 208-240V 60 HZ) ELECTRIC CABINET	85C	1127430418	1		CONTATTORE K3 (220/240V - 50/60HZ - 10HP) CONTACTOR	87D	1127430419	1		CONTATTORE K3 (208/240V - 60HZ - 7,5HP) CONTACTOR
59I	1127410325	1		CASSETTA ELETTRICA (7,5 HP 208-240V 60 HZ) ELECTRIC CABINET	85D	1127430419	1		CONTATTORE K3 (208/240V - 60HZ - 7,5HP) CONTACTOR	87E	1127430418	1		CONTATTORE K3 (220/240V - 50/60HZ - 10HP) CONTACTOR
62	1125160743	2		PIEDE SSA/SILVER FOOT	85E	1127430418	1		CONTATTORE K3 (220/240V - 50/60HZ - 10HP) CONTACTOR	87F	1127430419	1		CONTATTORE K3 (208/240V - 60HZ - 7,5HP) CONTACTOR

Q.ty = Quantità unitaria / Single unit quantity / Quantité unitaire / Cantidad unitaria / Einzeleinheitsmenge

Q.ty* = Ricambi consigliati in percentuale / Suggested spare parts in percentage / Pièces de rechange suggérées en pourcentage / Piezas de repuesto sugeridas en porcentaje / Vorgeschlagene Ersatzteile in Prozent



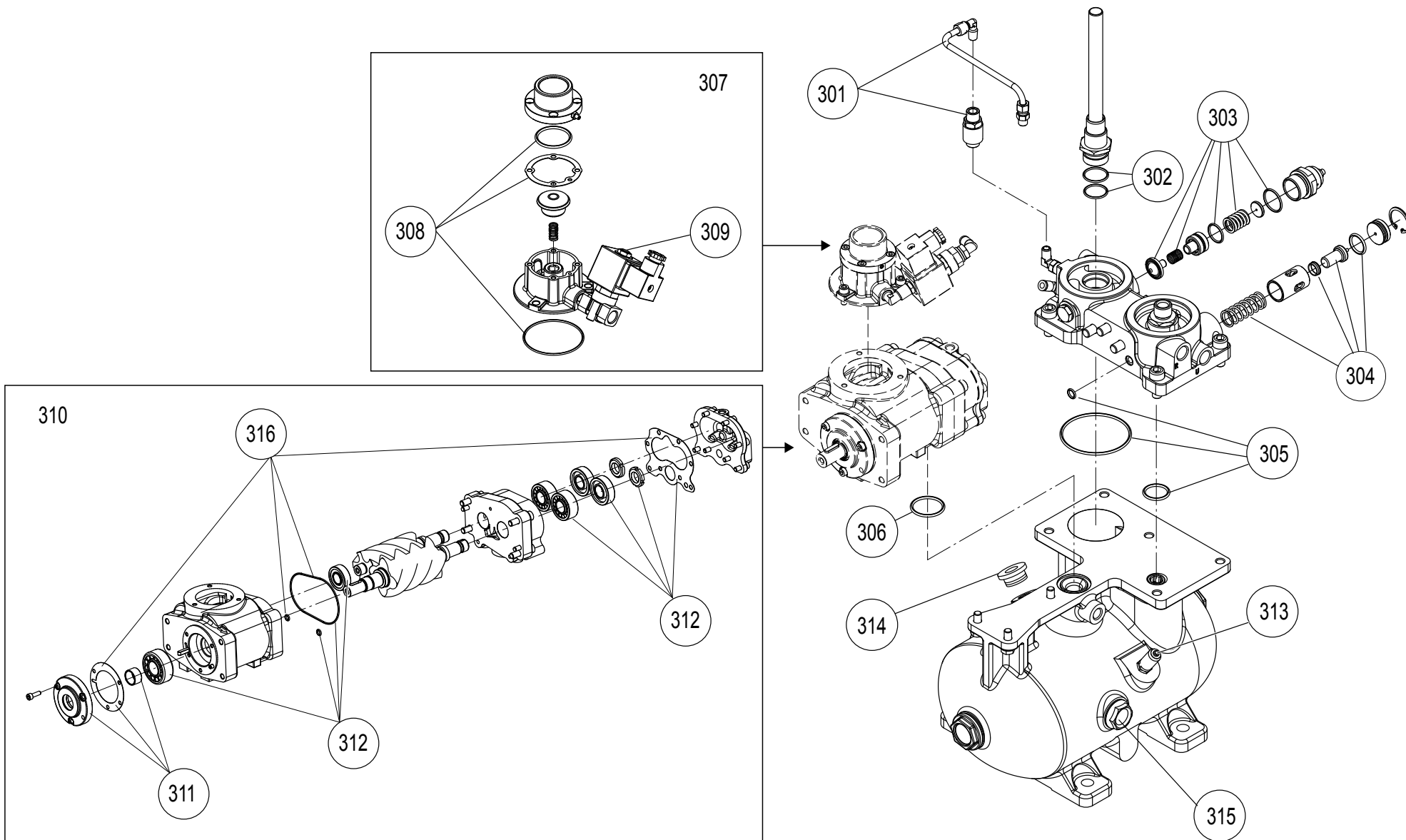
Model: NEW SILVER 5.5-10
 Code: 1127340125
 Valid from: 20/07/2017

Tav.: NSIL5-10_T2_03

N°	Code	Q.ty	Q.ty*	Description	N°	Code	Q.ty	Q.ty*	Description	N°	Code	Q.ty	Q.ty*	Description
87G	1127430419	1		CONTATTORE K3 (208/240V - 60HZ - 7,5HP) CONTACTOR										
88	1127340500	4		PORTAFUSIBILE FUSE-HOLDER										
94	1127510418	1		CASSETTA ELETTRICA ELECTRIC CABINET										
95	1127560434	1		TRASFORMATORE 200 VA TRANSFORMER										
95A	1127560437	1		TRASFORMATORE 200 VA (208/240V-60HZ 5,5-7) TRANSFORMER										
96	1127430429	1		RELÈ TERMICO (208/240V - 60HZ - 5,5HP) RELAY										
96A	1127430427	1		RELÈ TERMICO (220/240V - 50/60HZ - 10HP) RELAY										
96B	1120017412	1		RELÈ TERMICO (380/415V - 50/60HZ - 5,5HP) RELAY										
96C	1127430429	1		RELÈ TERMICO (208/240V - 60HZ - 5,5HP) RELAY										
96D	1127430430	1		RELÈ TERMICO (380/415V - 50/60HZ - 7,5HP) RELAY										
96E	1127430428	1		RELÈ TERMICO (208/240V - 60HZ - 7,5HP) RELAY										
96F	1127430429	1		RELÈ TERMICO (208/240V - 60HZ - 5,5HP) RELAY										
96G	1127430427	1		RELÈ TERMICO (220/240V - 50/60HZ - 10HP) RELAY										
96H	1127430429	1		RELÈ TERMICO (208/240V - 60HZ - 5,5HP) RELAY										
96I	1127430428	1		RELÈ TERMICO (208/240V - 60HZ - 7,5HP) RELAY										
97	1127430407	1		RELÈ SEQUENZA FASI KR PHASE SEQUENCE RELAY										

Q.ty = Quantità unitaria / Single unit quantity / Quantité unitaire / Cantidad unitaria / Einzeleinheitsmenge

Q.ty* = Ricambi consigliati in percentuale / Suggested spare parts in percentage / Pièces de rechange suggérées en pourcentage / Piezas de repuesto sugeridas en porcentaje / Vorgeschlagene Ersatzteile in Prozent





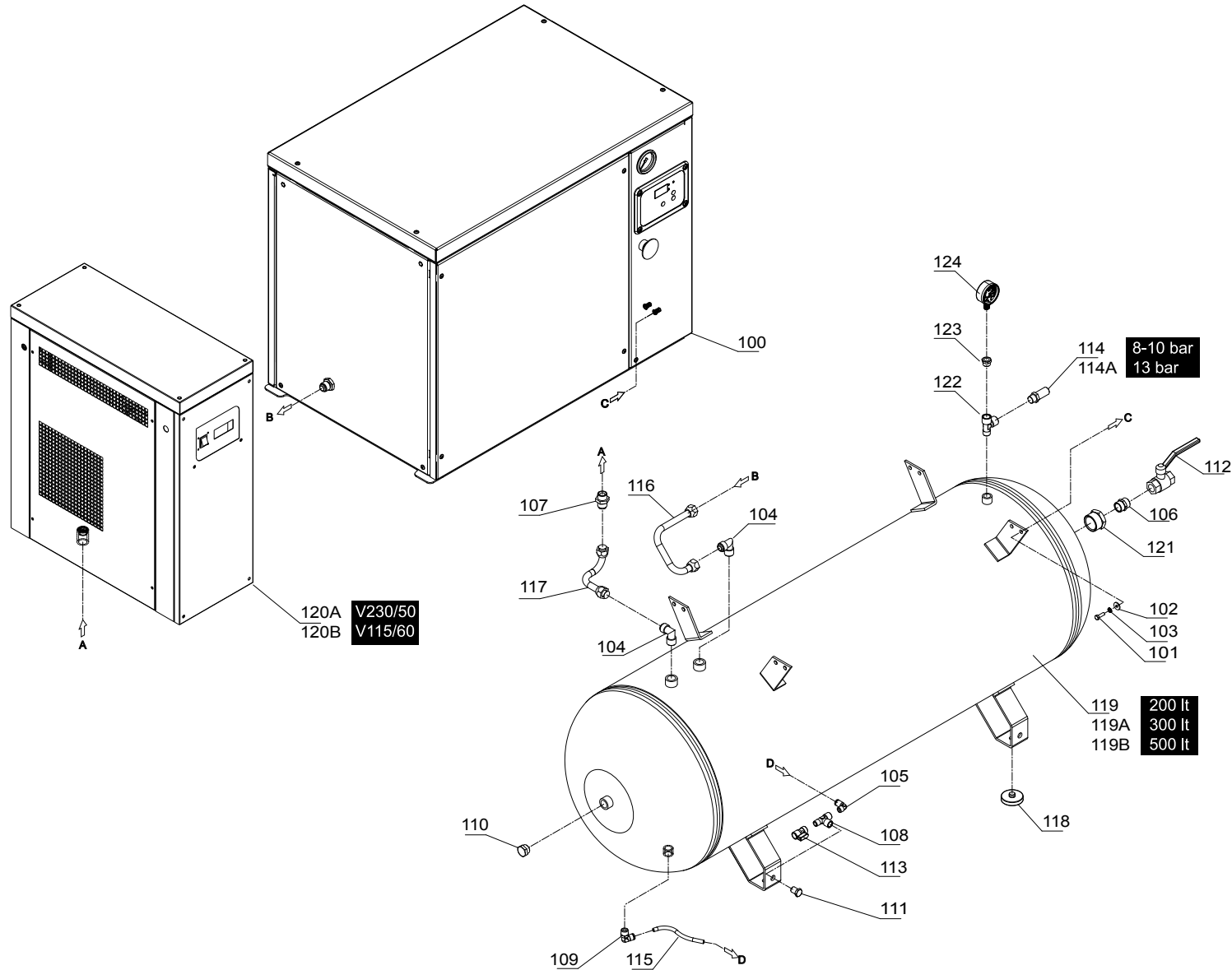
Model: NEW SILVER 5.5-10
 Code: 1127340125
 Valid from: 20/07/2017

Tav.: PACKSMART V60_01

N°	Code	Q.ty	Q.ty*	Description	N°	Code	Q.ty	Q.ty*	Description	N°	Code	Q.ty	Q.ty*	Description
301	1124090527	1		KIT RECUPERO TUBO OLIO KIT										
302	1124090522	1		KIT GUARNIZIONI FLANGIA SERB. GASKETS KIT										
303	1127190626	1	10	KIT VALVOLA DI MINIMA MIN.VALVE KIT										
304	1127190565	1	10	KIT VALVOLA TERM. 55°C KIT										
305	1124090522	1		KIT GUARNIZIONI FLANGIA SERB. GASKETS KIT										
306	1120010312	1		OR 3125 VITON O-RING										
307	1127190642	1		REGOLATORE ASPIRAZIONE RH30 REGULATOR										
308	1124090205	1	10	KIT VALVOLA APIRAZIONE KIT										
309	1124080640	1	10	ELETTROVALVOLA SOLENOID VALVE										
310	1127420348	1		GRUPPO VITE V60 SCREW PUMP UNIT										
311	1124090203	1		KIT PARAOLIO OIL SEALS KIT										
312	1124090201	1		KIT CUSCINETTI-GUARNIZIONI KIT										
313	1127190292	1		VALVOLA DI SICUREZZA RELIEF VALVE										
314	1127420100	1		TAPPO RABBOCCO OLIO PLUG										
315	1127420101	1		SPIA LIVELLO OLIO OIL LIGHT										
316	1127420070	1		KIT GUARNIZIONI VITE GASKETS KIT										

Q.ty = Quantità unitaria / Single unit quantity / Quantité unitaire / Cantidad unitaria / Einzeleinheitsmenge

Q.ty* = Ricambi consigliati in percentuale / Suggested spare parts in percentage / Pièces de rechange suggérées en pourcentage / Piezas de repuesto sugeridas en porcentaje / Vorgeschlagene Ersatzteile in Prozent





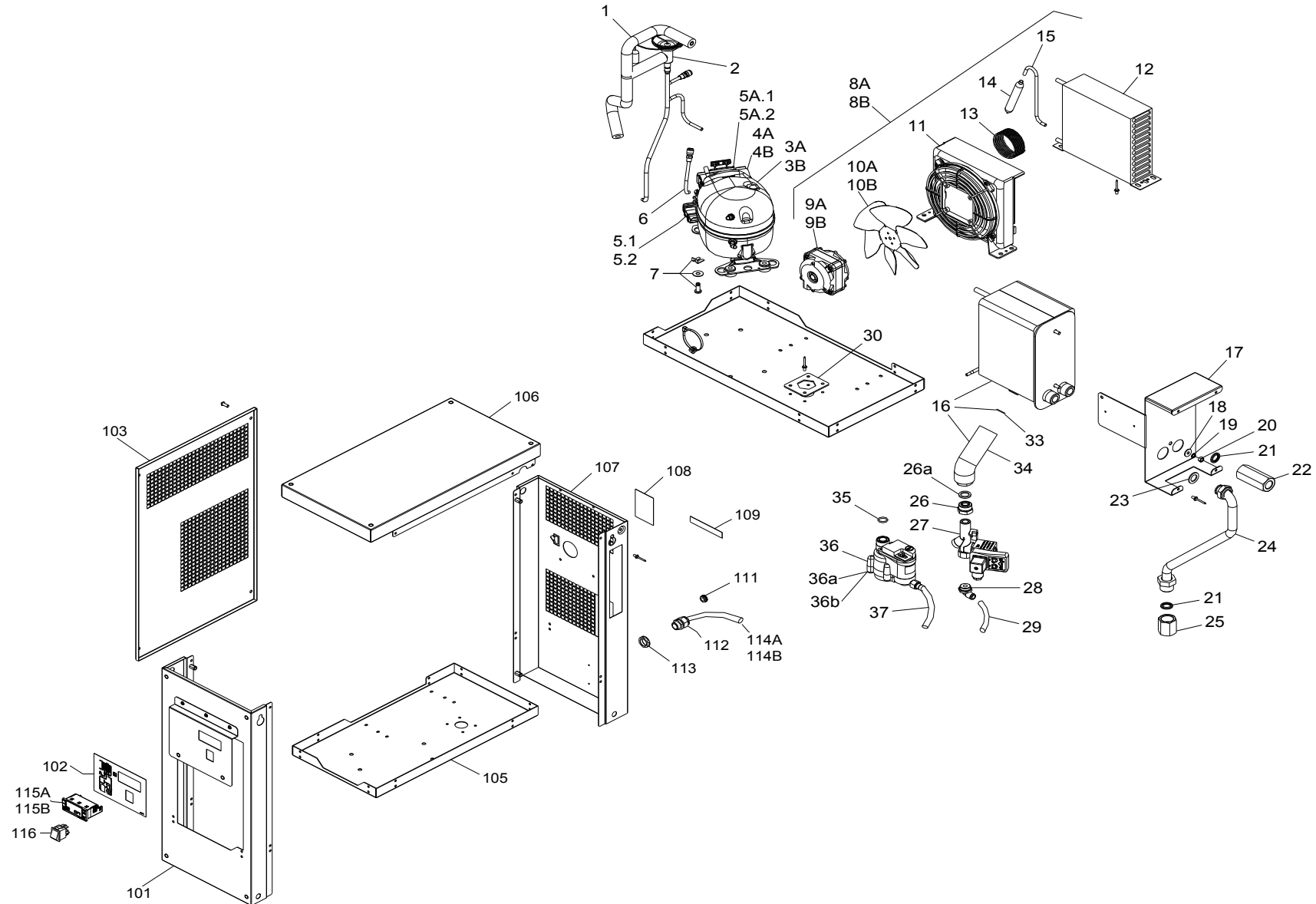
Model: NEW SILVER 5.5-10
 Code: 1127340125
 Valid from: 20/07/2017

Tav.: NSIL5-10_T4_03

N°	Code	Q.ty	Q.ty*	Description	N°	Code	Q.ty	Q.ty*	Description	N°	Code	Q.ty	Q.ty*	Description
100.	X	1		COMPRESSORE COMPRESSOR	118	1127360040	4		GOMMINO SERBATOIO RUBBER FOOT					
101.	X	8		VITE TE M6X20 SCREW	119	1127470245	1		SERBATOIO (200 LT) TANK					
102.	X	8		RONDELLA Ø6X18 WASHER	119A	1127470178	1		SERBATOIO (300 LT) TANK					
103.	X	8		RONDELLA Ø6 DENT. WASHER	119B	1127470200	1		SERBATOIO (500 LT) TANK					
104	1127080016	2		RACCORDO A L 1/2" FITTING	120A	1127560730	1		ESSICCATORE 230V DRYER					
105	1127080097	1		RACCORDO A L 1/4 TUBO 8 FITTING	120B	4102002186	1		ESSICCATORE 115V DRYER					
106	1127080131	1		NIPPLO 1/2 TUBO RAME NIPPLE	121	1127080512	1		RIDUZIONE 2X1/2" (SERB. 500 LT) REDUCTION					
107	1127080131	1		NIPPLO 1/2 TUBO RAME NIPPLE	122	1127080249	1		RACCORDO A T3/8 MFF FITTING					
108	1127080205	1		RACCORDO T MFF 1/4 UNION TEE	123	1127080519	1		RACCORDO MM3/8X1/4 FITTING					
109	1127080282	1		RACCORDO L 3/8 TUBO 8 ELBOW	124	1127110018	1	20	MANOMETRO PRESSURE GAUGE					
110	1127090005	1		TAPPO PLUG										
111.	X	1		TAPPO 1/4 PLUG										
112	1127130015	1		RUBINETTO TAP										
113	1127130017	1		RUBINETTO SCARICO TAP										
114	1127190209	1	10	VALVOLA SICUREZZA 8-10,4 BAR VALVE										
114A	1127190252	1	10	VALVOLA SICUREZZA 13 BAR VALVE										
115	1127230312	1		TUBO RILSAN Ø8 RILSAN TUBE										
116	1127230501	1		TUBO POMPANTE/SERBATOIO PIPE										
117	1127230502	1		TUBO SERBATOIO/ESSICCATORE PIPE										

Q.ty = Quantità unitaria / Single unit quantity / Quantité unitaire / Cantidad unitaria / Einzeleinheitsmenge

Q.ty* = Ricambi consigliati in percentuale / Suggested spare parts in percentage / Pièces de rechange suggérées en pourcentage / Piezas de repuesto sugeridas en porcentaje / Vorgeschlagene Ersatzteile in Prozent





Model: NEW SILVER 5.5-10
 Code: 1127340125
 Valid from: 20/07/2017

Tav.: ESS_C3_00

N°	Code	Q.ty	Q.ty*	Description	N°	Code	Q.ty	Q.ty*	Description	N°	Code	Q.ty	Q.ty*	Description
1	2204169780	1		GRUPPO TUBI ASSEMBLY PIPE	14	2202756902	1		FILTRO ESSICCATORE FILTER	101	2204167302	1		PANNELLO FRONTALE FRONT PANEL
2	2202732404	1		VALVOLA BY-PASS VALVE	15	2204169780	1		GRUPPO TUBI ASSEMBLY PIPE	102	2204183301	1		ETICHETTA ISTRUZIONI LABEL
3A	2203083209	1		COMPRESSORE (230V) COMPRESSOR	16	2202892283	1		SCAMBIATORE DI CALORE HEAT EXCHANGER	103	2204167002	1		PANNELLO SINISTRO PANEL
3B	2203083210	1		COMPRESSORE (115V) COMPRESSOR	17	2204167600	1		SUPPORTO SCAMBIATORE DI CALORE SUPPORT	105	2204166800	1		BASAMENTO BASE PLATE
4A	2202765131	1		RELÈ START (230V) RELAY	18	0300027464	2		RONDELLA WASHER	106	2204167202	1		PANNELLO SUPERIORE UPPER PANEL
4B	2202765144	1		RELÈ START (230V) RELAY	19	0333422000	2		RONDELLA WASHER	107	2204166982	1		PANNELLO POSTERIORE REAR PANEL
5.1	2202765240	1		PROTEZIONE TEMICA (230V) GUARD	20	0266210800	2		DADO NUT	108	1079992655	1		ETICHETTA AVVERTIMENTO LABEL
5.2	2202765256	1		PROTEZIONE TEMICA (115V) GUARD	21	0661100040	2		RONDELLA DI TENUTA WASHER	109	1627182800	1		ETICHETTA LABEL
6	2200599743	1		VALVOLA DI RITEGNO CHECK VALVE	22	2204166703	1		BOCCOLA BUSHING	111	0989422045	1		OCCHIELLO GROMMET
7	2202005133	4		KIT FISSAGGIO KIT	23	2202878500	1		GUARNIZIONE GASKET	112	0698514121	1		PRESSACAVO CABLE GLAND
8A	2202749888	1		UNITÀ CONDENSAZIONE (230V) CONDENSER UNIT	24	2204166681	1		TUBO ARIA PIPE	113	0697980953	1		DADO NUT
8B	2202749889	1		UNITÀ CONDENSAZIONE (115V) CONDENSER UNIT	25	2204166702	1		BOCCOLA BUSHING	114A	2205021501	1		CAVO ELETTRICO (230V) ELECTRIC CABLE
9A	2202762202	1		VENTOLA MOTORE (230V) FAN	26	2202999300	1		BOCCOLA BUSHING	114B	2205021502	1		CAVO ELETTRICO (115V) ELECTRIC CABLE
9B	2202762204	1		VENTOLA MOTORE(115V) FAN	26a	2202771901	1		RONDELLA IN GOMMA WASHER	115A	2200902817	1		CONTROLORE DIGITALE (230V) DIGITAL CONTROLLER
10A	2203064201	1		VENTOLA (230V) FAN	27	2202997101	1		SCARICATORE CONDENSA DISCHARGER	115B	2200092814	1		CONTROLORE DIGITALE (115V) DIGITAL CONTROLLER
10B	2202762301	1		VENTOLA (115V) FAN	28	0583812066	1		RACCORDO A GOMITO FITTING	116	1624221700	1		INTERRUTTORE ON/OFF SWITCH
11	2202762101	1		PROTEZIONE GUARD	30	2204167500	1		PIASTRA PLATE					
12	2202762002	1		SERPENTINA CONDENSANTE COIL	33	2202892400	1		GUARNIZIONE GASKET					
13	2202758403	1		TUBAZIONE CAPILLARE PIPING	34	2202889501	1		TUBO PIPE					

Q.ty = Quantità unitaria / Single unit quantity / Quantité unitaire / Cantidad unitaria / Einzeleinheitsmenge

Q.ty* = Ricambi consigliati in percentuale / Suggested spare parts in percentage / Pièces de rechange suggérées en pourcentage / Piezas de repuesto sugeridas en porcentaje / Vorgeschlagene Ersatzteile in Prozent