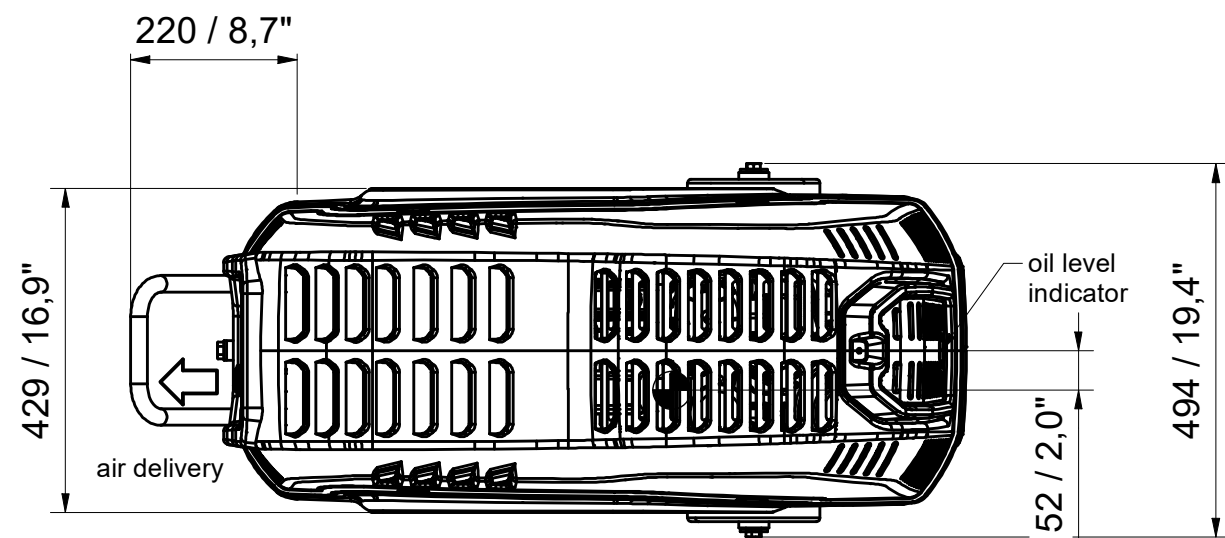
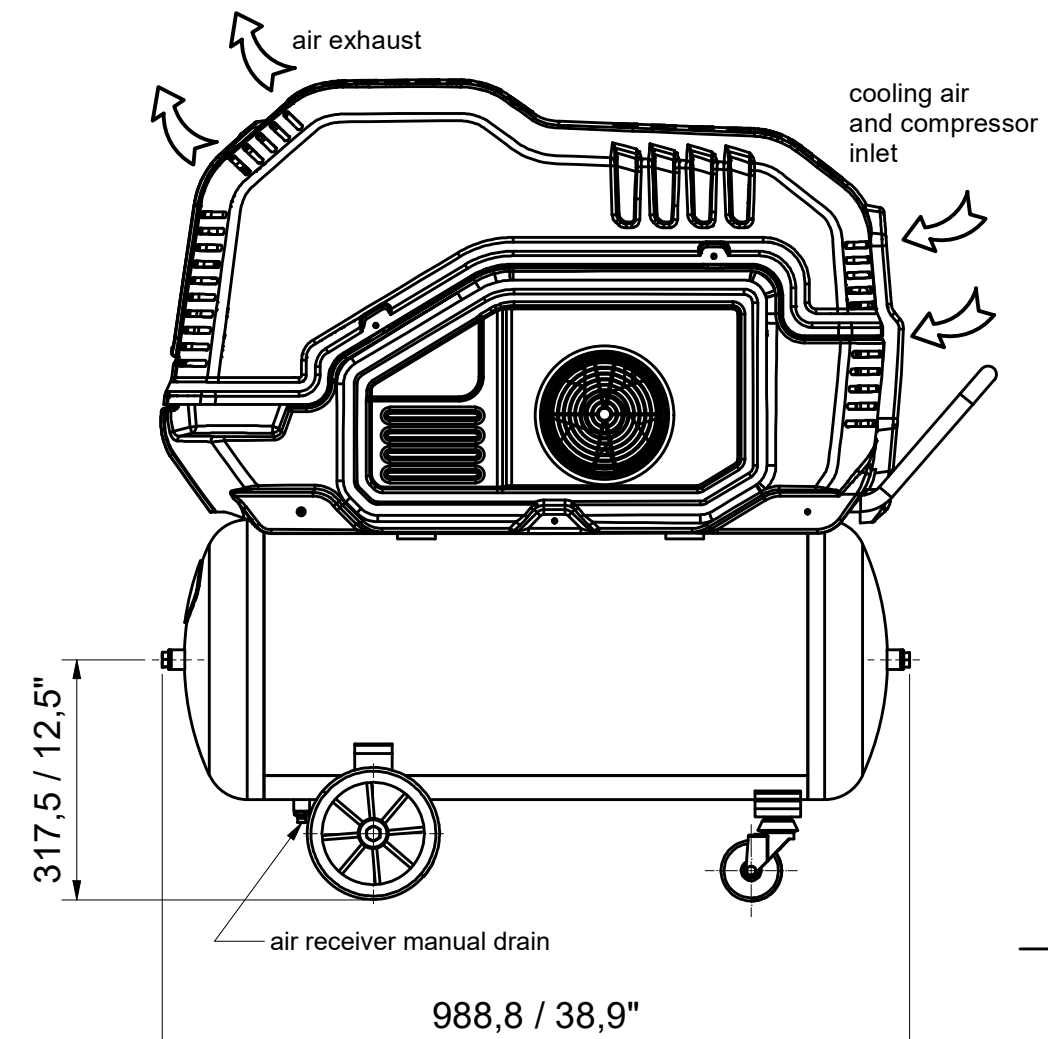
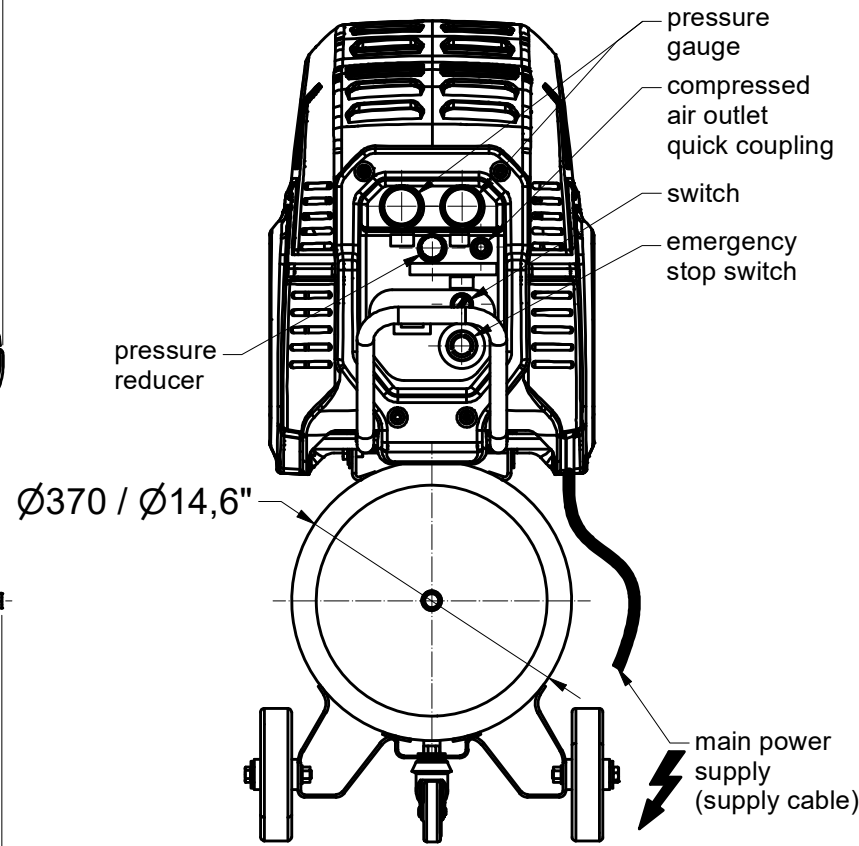
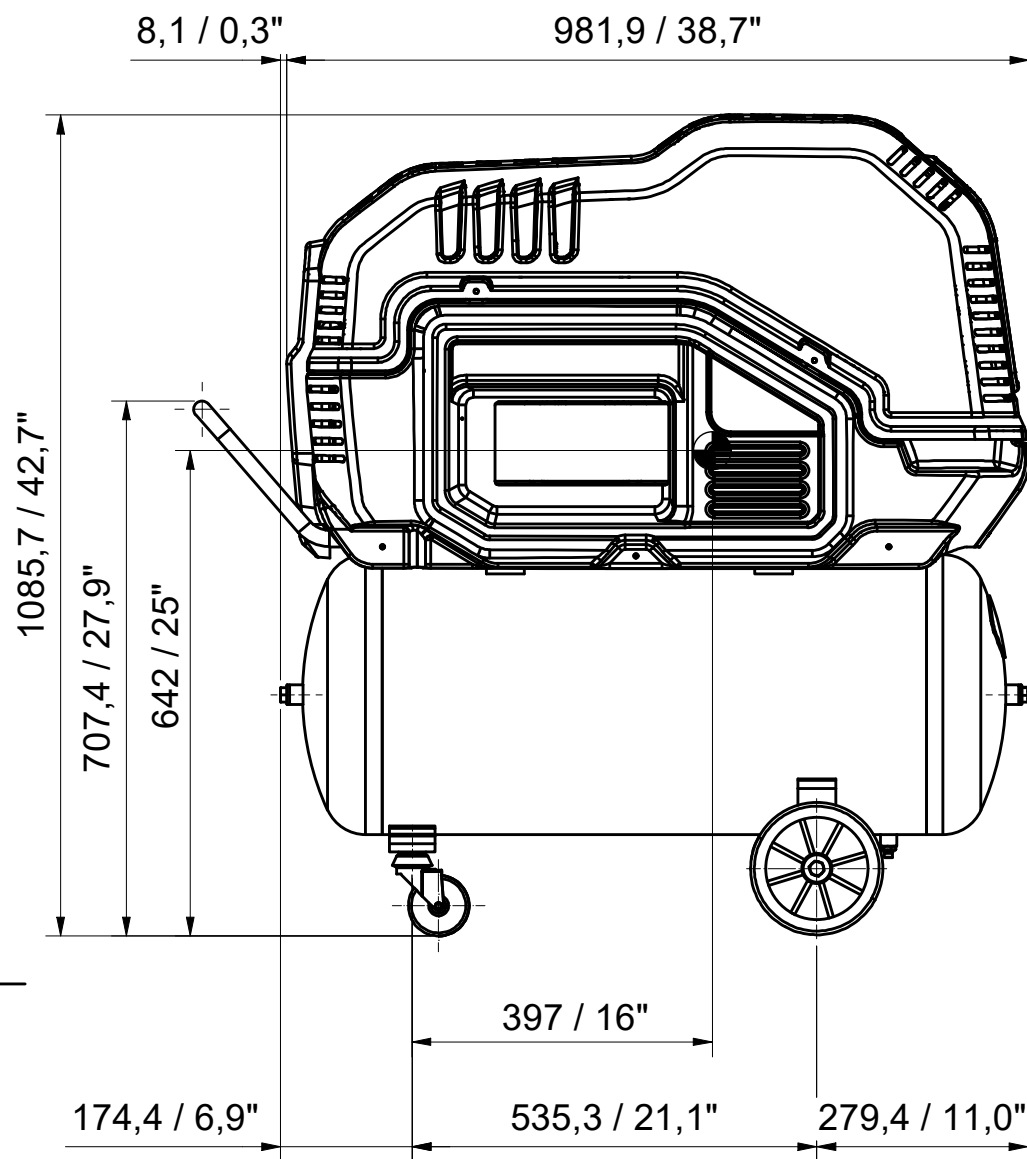


All materials supplied are in compliance with the requirements of the List of Prohibited Substances



Notes:
 - center of gravity
 Dimensions metric (mm) / imperial (inches)
 Dimension tolerances $\pm 10 / 0,4$ "

Tolerances, if not indicated, according to:								
ATLAS COPCO STANDARD CLASS								
Name			DIMENSION DRW.			Confidentiality Class		
Material			Not Applicable			acc. to 1102 K		
Treatment			Not Applicable			Confidential		
Family			C43iDD			INV		
Scale			1 : 10			Compare		
Drawn by			caimdc			Replaces		
Blank nr.						Drawing Owner		
Drawing format			Blank wt			Transferred from		
A3						CAI		
Des checked.			Prod checked.			Approved.		
Date			29-Jan-21			Designation		
STATUS			Approved			Sheet		1 / 1
Ed . Version 3D			Ed . Version 3D			Designation		9828084358

CONFIDENTIAL:

This document is property of Atlas Copco AB and shall not without our permission be altered, copied, used for manufacturing or communicated to any other person or company.

00		ISSUED. CID 27787 - DN 21 0633 04	03-18-2021	CAImdc	9828084258		
Ed	Position	Modified from	Date	Intr./Appd.	Parent 3D model	Ed . Version 3D	