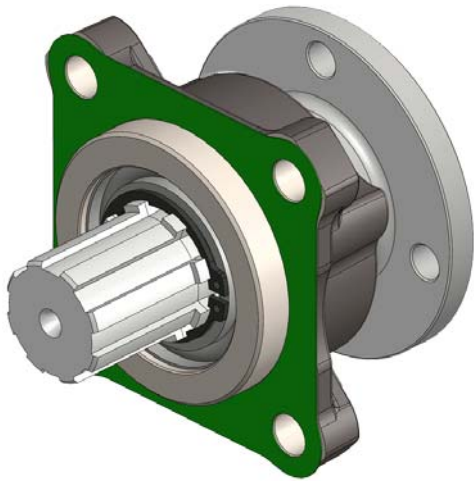


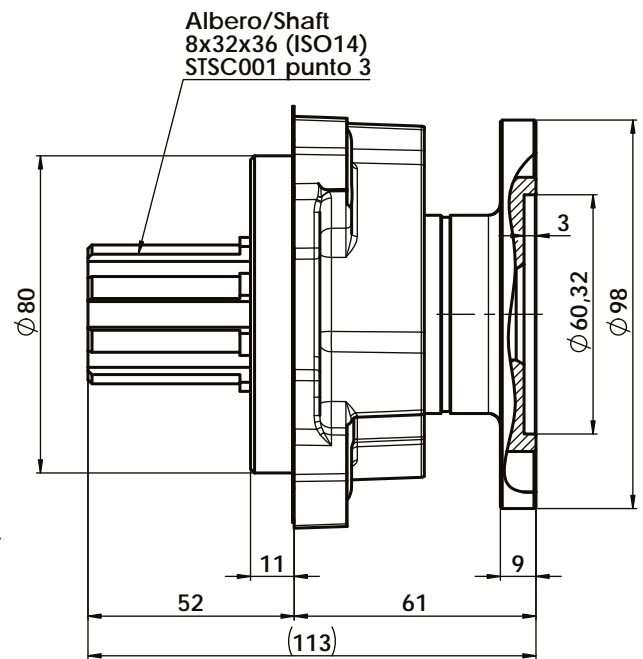
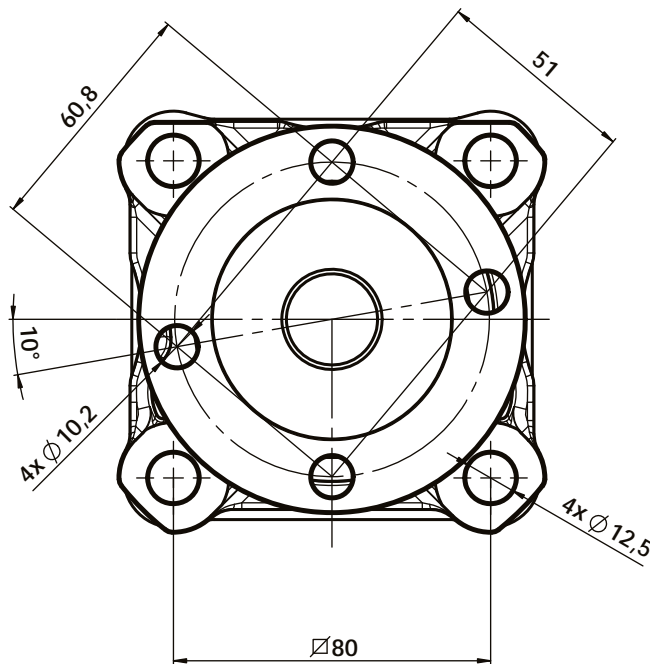
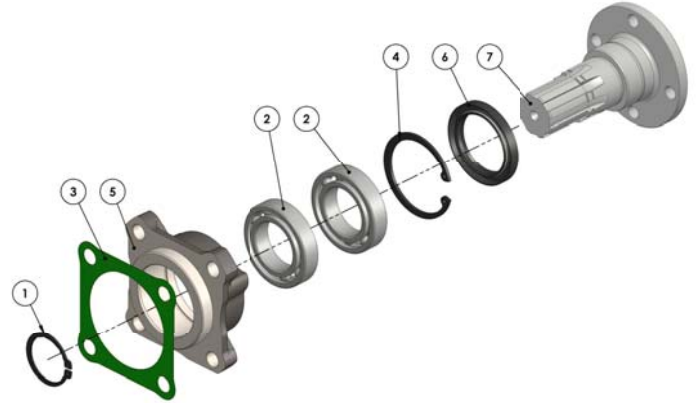
# ADATTATORE PTO ISO - SPICER 1300 SPICER 1300 - ISO PTO ADAPTOR

CODICE  
CODE

**099-091-00405**



## Componenti / Kit components



Albero/Shaft  
8x32x36 (ISO14)  
STSC001 punto 3

Pos.	Codice/Code	Q.	Descrizione / Description	
1	501-002-00381	1	ANELLO ELASTICO NRM.40 E UNI 7435	CIRCLIP 40 E UNI 7435
2	510-001-00294	2	CUSCINETTO 1C SF.40X68X15 CL-A EUR. 6008	BALL BEARING
3	507-001-00086	1	GUARNIZIONE ø80 FINESTRA ISO 7707	GASKET ISO 7707
4	501-001-00640	1	ANELLO ELASTICO NRM.68 I	CIRCLIP 68 I
5	528-004-00570	1	CORPO APP FLANGIA ISO/RUSSIAN STANDARD	FLANGE
6	506-000-25068	1	PARAOILIO GAP 50X68X 8 PARAPLV.	GASKET
7	114-008-00582	1	ALBERO-FLANGIA ISO14 32X36 - SPICER 1300	SHAFT-FLANGE ISO14 SPICER1300

Data: Lunedì 02 settembre 2019

Codice foglio:997-099-00405 Rev: //

pag.1

**OMFB**  
HYDRAULIC COMPONENTS

O.M.F.B. S.p.A. Hydraulic Components  
We reserve the right to make any changes without notice.  
Edition 2019.09 No reproduction, however partial, is permitted.  
Via Cave, 7/9 25050 Provaglio d'Iseo (Brescia) Italy Tel.: +39.030.9830611  
Fax: +39.030.9839207-208 Internet:www.omfb.it e-mail:info@omfb.it

COMPANY WITH  
QUALITY SYSTEM  
CERTIFIED BY DNV GL  
= ISO 9001:2015 =