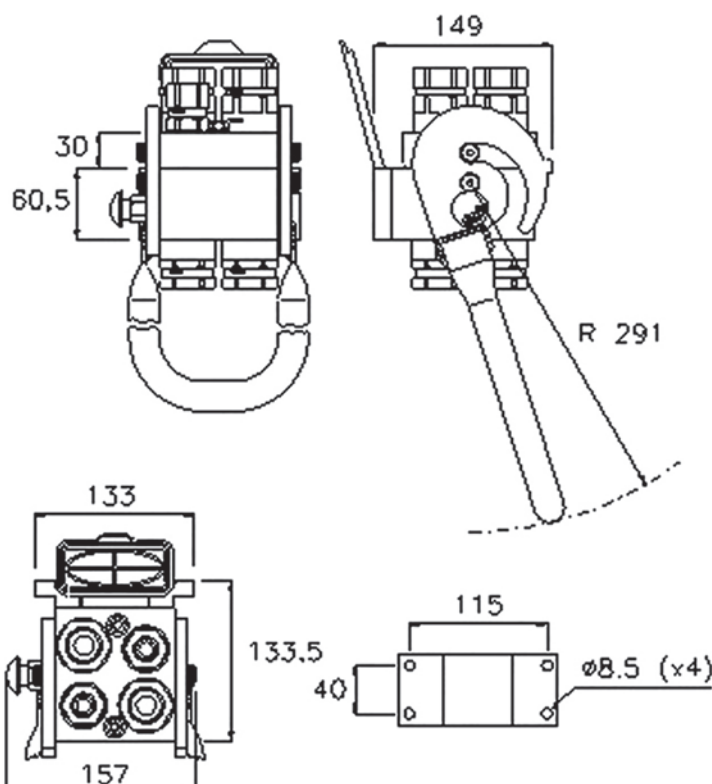
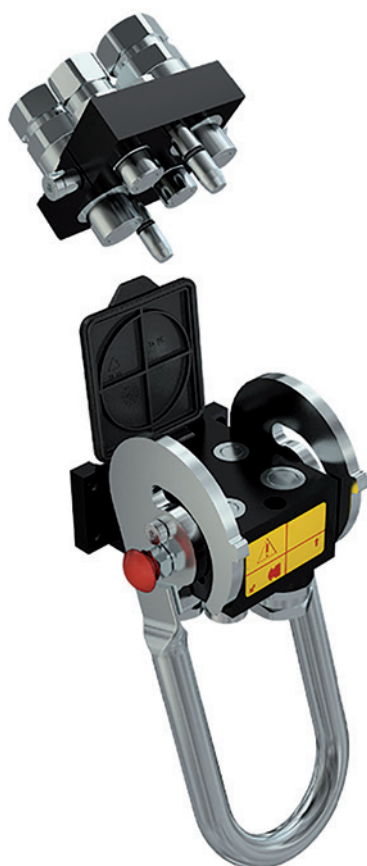




MF P510

MultiFaster 4 lines, 2 lines size 08, 2 lines size 12.

Applications



Technical Specifications

dash	Size mm	inch	Working Pressure (MPa)	Flow Rate (l/min)	Spillage (ml)	Burst pressure (MPa)		
						Male	Female	Male + Female
08	12.5	1/2"	25	70	0.01	100	100	100
12	20	3/4"	25	105	0.02	100	100	100

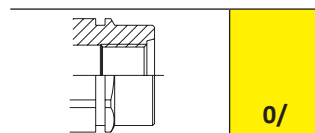
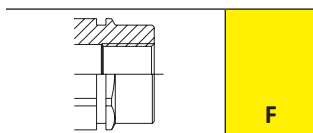
Material	Aluminium; Steel
Seals	NBR; PUR
Working temperatures	- 25 °C to + 100 °C
Surface treatment	MATE 500 (CrIII); Paint

Valve Type	Flat
Connection	Lever
Disconnection	Lever
Connection Under Pressure	Allowed Residual



P510

Size					Thread Type					FIXED
dash	mm	inch	Housing	Number of Couplings	Thread Type	Standard	Thread	Electrical Connector N	Connector Type	Part Number
08	12.5	1/2"	4	2	F BSPP	ISO 1179-1	BSPP 1/2" FEMALE			3P510-4-A F C
12	20	3/4"		2	F BSPP	ISO 1179-1	BSPP 3/4" FEMALE			
08	12.5	1/2"	4	1	F BSPP	ISO 1179-1	BSPP 1/2" FEMALE			3P510-3-A F C
12	20	3/4"		2	F BSPP	ISO 1179-1	BSPP 3/4" FEMALE			
08	12.5	1/2"	4	1	F BSPP	ISO 1179-1	BSPP 1/2" FEMALE			3P510-2-E F C
12	20	3/4"		1	F BSPP	ISO 1179-1	BSPP 3/4" FEMALE			
08	12.5	1/2"	4					1	3 PINS	3P510-1A-2-A FC
08	12.5	1/2"						1	7 PINS	
12	20	3/4"		1	F BSPP	ISO 1179-1	BSPP 1/2" FEMALE			
12	20	3/4"		1	F BSPP	ISO 1179-1	BSPP 3/4" FEMALE			
08	12.5	1/2"	4	1	F BSPP	ISO 1179-1	BSPP 1/2" FEMALE			3P510-1-3-A F C
08	12.5	1/2"						1	3 PINS	
12	20	3/4"		2	F BSPP	ISO 1179-1	BSPP 3/4" FEMALE			
08	12.5	1/2"	4	2	O/ SAE	ISO 11926-1	1 - 1/16" - 12 UN FEMALE ORB			2P510-4-N F C
12	20	3/4"		2	O/ SAE	ISO 11926-1	3/4" - 16 UNF FEMALE ORB			
08	12.5	1/2"	4	1	F BSPP	ISO 1179-1	BSPP 1/2" FEMALE			2P510-3-A F C
12	20	3/4"		2	F BSPP	ISO 1179-1	BSPP 3/4" FEMALE			
08	12.5	1/2"	4	1	F BSPP	ISO 1179-1	BSPP 1/2" FEMALE			2P510-2-A F C
12	20	3/4"		1	F BSPP	ISO 1179-1	BSPP 3/4" FEMALE			
12	20	3/4"	4	2	O/ SAE	ISO 11926-1	1 - 1/16" - 12 UN FEMALE ORB			2P510-2-34S F C
08	12.5	1/2"	4	1	O/ SAE	ISO 11926-1	1 - 1/16" - 12 UN FEMALE ORB			2P510-1-3-I F C
08	12.5	1/2"						1	3 PINS	
12	20	3/4"		2	O/ SAE	ISO 11926-1	3/4" - 16 UNF FEMALE ORB			
08	12.5	1/2"	4	1	F BSPP	ISO 1179-1	BSPP 1/2" FEMALE			2P510-1-3-A1 FC
08	12.5	1/2"						1	3 PINS	
12	20	3/4"		2	F BSPP	ISO 1179-1	BSPP 3/4" FEMALE			
08	12.5	1/2"	4					1	3 PINS	2P510-1-2-34SFC
12	20	3/4"		2	O/ SAE	ISO 11926-1	1 - 1/16" - 12 UN FEMALE ORB			
12	20	3/4"	4	2	F BSPP	ISO 1179-1	BSPP 3/4" FEMALE			3P510-2-34G F C
12	20	3/4"	4	2	F BSPP	ISO 1179-1	BSPP 3/4" FEMALE			2P510-2-34G F C
08	12.5	1/2"	4	2	F BSPP	ISO 1179-1	BSPP 1/2" FEMALE			2P510-4-A F C
12	20	3/4"		2	F BSPP	ISO 1179-1	BSPP 3/4" FEMALE			



P510

Size					Thread Type					MOBILE
dash	mm	inch	Housing	Number of Couplings	Thread Type	Standard	Thread	Electrical N	Connector Type	Part Number
08	12.5	1/2"	4	1	F BSPP	ISO 1179-1	BSPP 1/2" FEMALE			3P510-3-A M C
12	20	3/4"		2	F BSPP	ISO 1179-1	BSPP 3/4" FEMALE			
08	12.5	1/2"	4	1	F BSPP	ISO 1179-1	BSPP 1/2" FEMALE			3P510-2-E M C
12	20	3/4"		1	F BSPP	ISO 1179-1	BSPP 3/4" FEMALE			
12	20	3/4"	4	2	O/ SAE	ISO 11926-1	1-1/16"-12 UN FEMALE ORB			3P510-2-34S M C
08	12.5	1/2"	4					1	3 PINS	3P510-1A-2-A MC
08	12.5	1/2"						1	7 PINS	
12	20	3/4"		1	F BSPP	ISO 1179-1	BSPP 1/2" FEMALE			
12	20	3/4"		1	F BSPP	ISO 1179-1	BSPP 3/4" FEMALE			
08	12.5	1/2"	4	1	F BSPP	ISO 1179-1	BSPP 1/2" FEMALE			3P510-1-3-A M C
08	12.5	1/2"						1	3 PINS	
12	20	3/4"	4	2	F BSPP	ISO 1179-1	BSPP 3/4" FEMALE			2P510-4-N M C
08	12.5	1/2"		2	O/ SAE	ISO 11926-1	1 - 1/16" - 12 UN FEMALE ORB			
12	20	3/4"	4	2	O/ SAE	ISO 11926-1	3/4" - 16 UNF FEMALE ORB			
08	12.5	1/2"	4	1	F BSPP	ISO 1179-1	BSPP 1/2" FEMALE			2P510-3-A M C
12	20	3/4"		2	F BSPP	ISO 1179-1	BSPP 3/4" FEMALE			
08	12.5	1/2"	4	1	F BSPP	ISO 1179-1	BSPP 1/2" FEMALE			2P510-2-A M C
12	20	3/4"		1	F BSPP	ISO 1179-1	BSPP 3/4" FEMALE			
12	20	3/4"	4	2	O/ SAE	ISO 11926-1	1 - 1/16" - 12 UN FEMALE ORB			2P510-2-34S M C
08	12.5	1/2"	4	1	O/ SAE	ISO 11926-1	1 - 1/16" - 12 UN FEMALE ORB			2P510-1-3-I M C
08	12.5	1/2"						1	3 PINS	
12	20	3/4"		2	O/ SAE	ISO 11926-1	3/4" - 16 UNF FEMALE ORB			
08	12.5	1/2"	4	1	F BSPP	ISO 1179-1	BSPP 1/2" FEMALE			2P510-1-3-A1 MC
08	12.5	1/2"						1	3 PINS	
12	20	3/4"	4	2	F BSPP	ISO 1179-1	BSPP 3/4" FEMALE			
08	12.5	1/2"	4	2	F BSPP	ISO 1179-1	BSPP 1/2" FEMALE			3P510-4-A M C
12	20	3/4"		2	F BSPP	ISO 1179-1	BSPP 3/4" FEMALE			
12	20	3/4"	4	2	F BSPP	ISO 1179-1	BSPP 3/4" FEMALE			2P510-2-34G M C
12	20	3/4"	4	2	F BSPP	ISO 1179-1	BSPP 3/4" FEMALE			3P510-2-34G M C
08	12.5	1/2"	4	2	F BSPP	ISO 1179-1	BSPP 1/2" FEMALE			2P510-4-A M C
12	20	3/4"		2	F BSPP	ISO 1179-1	BSPP 3/4" FEMALE			

Spare Parts & Accessories

Female Half				Male Half					
Plates	Lever	Dust cover	Safety Lock	Plates	Seals male	Screws	Plugs	Guiding pins	Docking
KIT P510 F L	KIT LP510		KIT SP5 S	KIT P510 M	SK MF 12	KIT VP8	KIT TSP 38 M	KIT GP4	S P510
	KIT L3P510				SK MF 34		KIT TSP 34 M		

