



FUEL MANAGEMENT SYSTEMS



DISPENSERS



KITS



PUMPS



METERS



NOZZLES

PICO

FEATURES

- **READY TO USE**
- **TURBINE FLOW-METER (K24 VERSION ONLY)**
- **WEATHER PROOF MATERIALS**
- **STURDY DESIGN**

The PIUSI PICO is a dispensing unit suitable to transfer diesel and antifreeze. It includes a centrifugal pump ready to be fit on any kind of drum (vertical installation with built-in connection). K24 meter and automatic nozzle available on request.

PERFORMANCE

UP TO

35 L/MIN

FLOW RATE

AC/DC

VOLTAGE

POWER

± 1%

ACCURACY



PACKAGING

CODE	WEIGHT		PACKAGING		
	KG	LBS	MM	INCH	PCS/BOX
WITH METER					
FO0202020	4,8	10,6	360X360X180	14,2X14,2X7,1	1
FO0202030	5,8	12,8	360X360X180	14,2X14,2X7,1	1
FO0202060	4,8	10,6	360X360X180	14,2X14,2X7,1	1
FO0202070	5,8	12,8	360X360X180	14,2X14,2X7,1	1
FO0202100	4,8	10,6	360X360X180	14,2X14,2X7,1	1
FO0202110	5,8	12,8	360X360X180	14,2X14,2X7,1	1
WITHOUT METER					
FO0202000	4,8	10,6	360X360X180	14,2X14,2X7,1	1
FO0202010	5,8	12,8	360X360X180	14,2X14,2X7,1	1
FO0202040	4,8	10,6	360X360X180	14,2X14,2X7,1	1
FO0202050	5,8	12,8	360X360X180	14,2X14,2X7,1	1
FO0202080	4,8	10,6	360X360X180	14,2X14,2X7,1	1
FO0202090	5,8	12,8	360X360X180	14,2X14,2X7,1	1



FILTRATION



TANK MONITORING



HOSE REEL



ACCESSORIES



MERCHANDISE

HS

ANY BIODIESEL

A

AIR

A

ANTIFREEZE

AdBlue®

AdBlue®

B

BIODIESEL

D

DIESEL

F

FOOD

G

GASOLINE

G

GREASE

K

KEROSENE

O

OIL

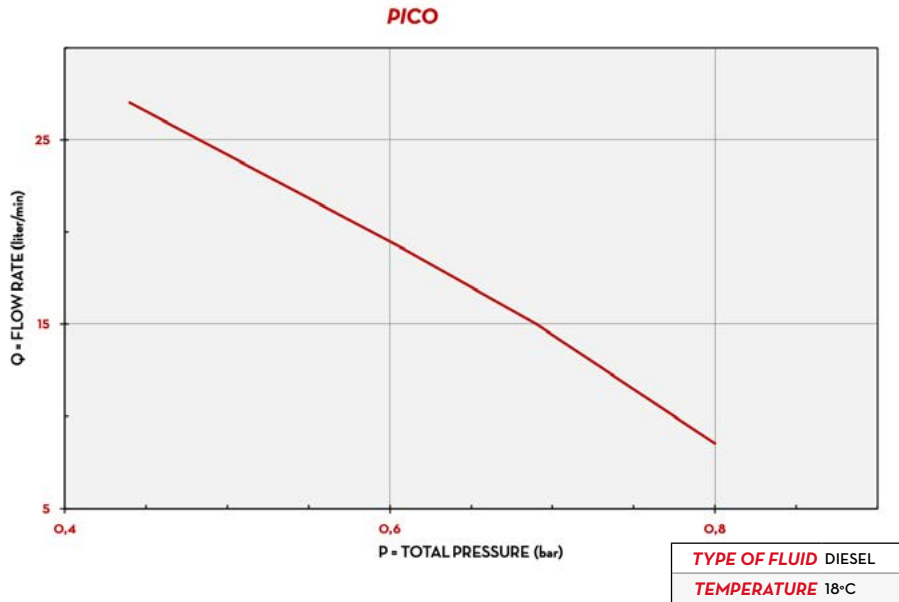
W

WATER

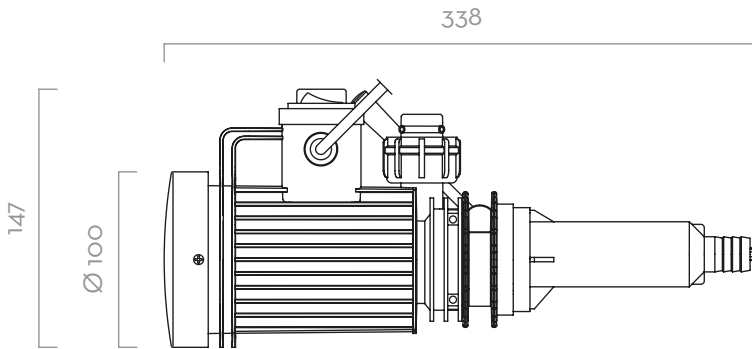
W

WINDSCREEN

CHART



DIMENSIONS



Dimensions expressed in millimeters

IN THE BOX

- PICO UNIT
- DELIVERY HOSE
- SUCTION PIPE
- MANUAL/AUTOMATIC NOZZLE
- METER (ON REQUEST)
- INSTRUCTION MANUAL

DETAILS



MATERIALS

- BODY: TECHNOPYLIMER
- TURBINES: TECHNOPYLIMER

TECHNICAL DATA

CODE	DESCRIPTION	FLUIDS TYPE	FLOW RATE		VOLTAGE			PUMP	DUTY CYCLE	NOZZLE	HOSE		FOOT FILTER
			L/MIN	GPM	AC V./HZ DC VOLT	POWER WATT	AMP. MAX.				TYPE	LENGTH	
WITH METER													
FOO202020	PICO 230 K24 M	A D W	35	9	230/50	224	1	PICO	-	MAN.	4M	3/4"	YES
FOO202030	PICO 230 K24 A	A D W	30	8	230/50	224	1	PICO	-	AUT.	4M	3/4"	YES
FOO202060	PICO 12 K24 M	A D W	30	8	12	110	9	PICO	30	MAN.	4M	3/4"	YES
FOO202070	PICO 12 K24 A	A D W	25	7	12	110	9	PICO	30	AUT.	4M	3/4"	YES
FOO202100	PICO 24 K24 M	A D W	30	8	24	135	5,5	PICO	30	MAN.	4M	3/4"	YES
FOO202110	PICO 24 K24 A	A D W	25	7	24	135	5,5	PICO	30	AUT.	4M	3/4"	YES
WITHOUT METER													
FOO202000	PICO 230 M	A D W	35	9	230/50	224	1	PICO	-	MAN.	4M	3/4"	YES
FOO202010	PICO 230 A	A D W	30	8	230/50	224	1	PICO	-	AUT.	4M	3/4"	YES
FOO202040	PICO 12 M	A D W	30	8	12	110	9	PICO	30	MAN.	4M	3/4"	YES
FOO202050	PICO 12 A	A D W	25	7	12	110	9	PICO	30	AUT.	4M	3/4"	YES
FOO202080	PICO 24 M	A D W	30	8	24	135	5,5	PICO	30	MAN.	4M	3/4"	YES
FOO202090	PICO 24 A	A D W	25	7	24	135	5,5	PICO	30	AUT.	4M	3/4"	YES