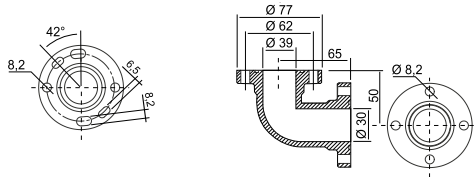


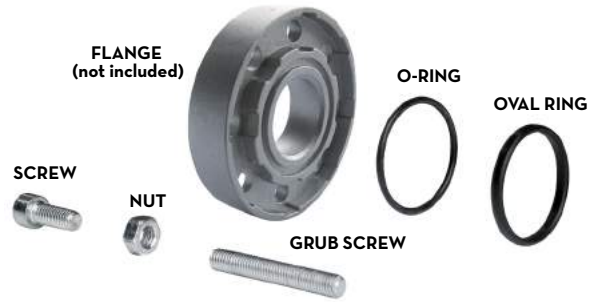
VISCOMAT VANE/GEAR/FLOWMAT

FLANGED ELBOW

DESCRIPTION	CODE	O-RING no.	SCREW M8X20 no.	SCREW M8X30 no.	NUT M8 no.
FLANGED ELBOW	R10824000	2	2	2	2



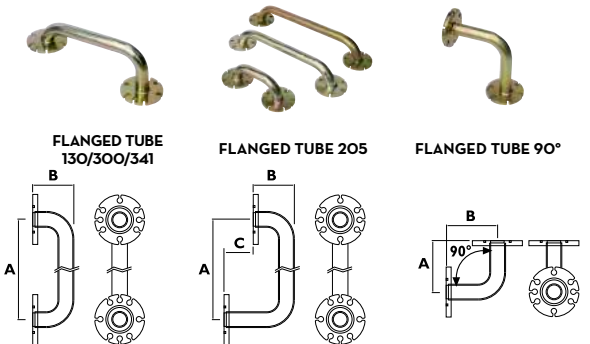
FLANGE (not included)



DIMENSIONS

CONNECTIONS

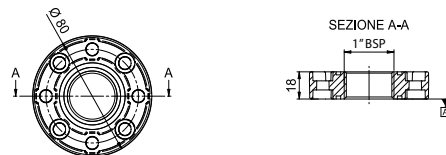
CODE	DESCRIPTION	A (MM)	B (MM)	C (MM)
R12229000	FLANGED TUBE 130	130	67	-
R1222800A	FLANGED TUBE 300	300	67	-
R13251000	FLANGED TUBE 205	205	54,7	44,3



INLET / OUTLET

FLANGE

CODE	DESCRIPTION	B	C (MM)	H (MM)
FO8832000	FLANGE	1" BSP	80	18



DESCRIPTION	CODE	FLANGE no.	O-RING no.	OVAL RING no.	SCREW M8X20 no.	SCREW M8X30 no.	NUT M8 no.	GRUB SCREW M8X50 no.
KIT FLANGE OVAL RING	R12904000	1	-	1	2	-	2	-
KIT FLANGE O-RING	R09180000	2	2	-	4	-	-	-
KIT FLANGE	R1106200A	1	1	-	2	-	-	-
KIT FLANGE WITH NUT	R12906000	1	-	-	-	-	2	-
KIT FLANGE TO CONNECT METER	O09779000	1	2	-	-	-	2	2
FLANGE	FO8832000	1	-	-	-	-	-	-
OVAL RING	R08985000	-	-	1	-	-	-	-
O-RING	R08417000	-	2	-	-	-	-	-
SCREW M8X20	R08812000	-	-	-	10	-	-	-
SCREW M8X30	R08043000	-	-	-	-	10	-	-
KIT FLANGE TO CONNECT FILTER	R19271000	1	1	1	-	2	2	-