

SCREW

INNESTI A VITE/RIMORCHI MODULARI
SCREW COUPLINGS/MODULAR TRAILERS
SCHRAUBKUPPLUNGEN/ROHRLEITUNG
COUPLEURS À VISSER/REMORQUES MODULAIRES


Caratteristiche tecniche I

- Intercambiabilità: Voswinkel RH/RK
- Occlusione: faccia piana
- Aggancio: a vite
- Materiale: acciaio
- Finitura: Zn-Ni
- Filettature: BSP - METRICHE
- Guarnizioni standard: NBR
- Temperatura d'esercizio: -25 °C +100 °C
- Pressioni di esercizio: 420 bar
- Connessione in pressione residua: non consentita

Technical data E

- Interchange: Voswinkel RH/RK
- Occlusion: flat face
- Locking: screw
- Material: steel
- Finishing: Zn-Ni
- Threads: BSP - METRICS
- Standard seals: NBR
- Working temperature: -25 °C +100 °C
- Working pressure: 420 bar
- Connection under residual pressure: not allowed

Technische Merkmale D

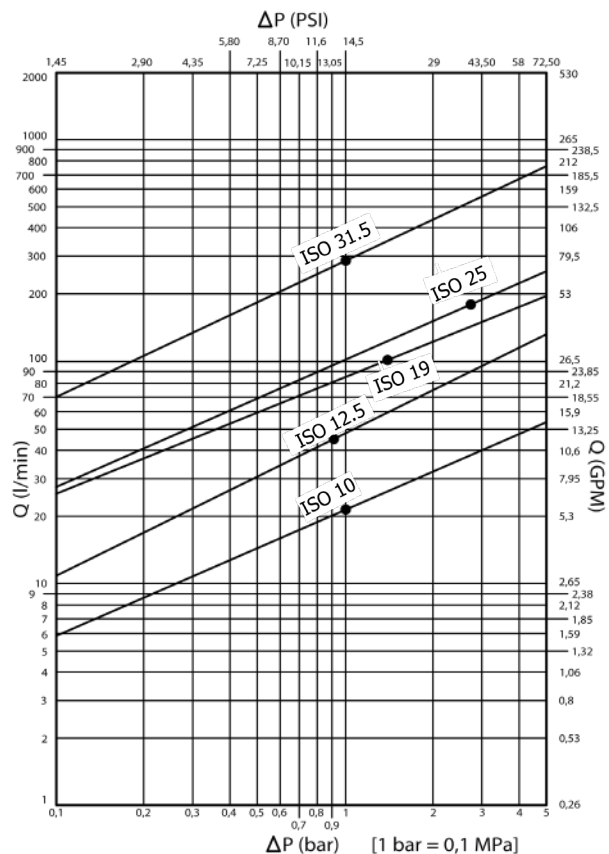
- Austauschbarkeit: Voswinkel RH/RK
- Verschluss: flachdichtend
- Kupplung: Schraubweise
- Werkstoff: Stahl
- Ausführung: Zn-Ni
- Gewinde: BSP - METRISCHE
- Standard-Dichtungen: NBR
- Betriebstemperatur: -25 °C +100 °C
- Betriebsdruck: 420 bar
- Kuppeln unter Restdruck: nicht erlaubt

Caracteristiques techniques F

- Interchangeabilité: Voswinkel RH/RK
- Obturation: clapet plat
- Accrochage: à visser
- Matériel: acier
- Traitement: Zn-Ni
- Taraudage: BSP - METRIQUES
- Joints standard: NBR
- Température de service: -25 °C +100 °C
- Pression de service: 420 bar
- Connexion sous pression résiduelle: pas possible

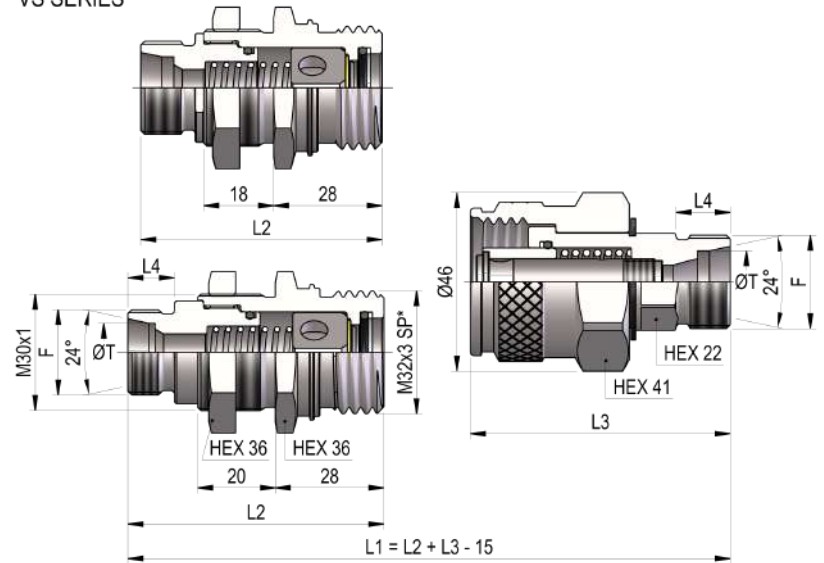
Nominal size	Max working pressure	Rated flow	Max flow rate	Min burst pressure			Fluid spillage			
				Male	Female	Coupled				
DNP	BG	ISO	mm	MPa	l/min	l/min	MPa	MPa	MPa	cc
10	2	10	8.7	42	23	46	130	140	250	0.02
13	3	12.5	11.6	42	45	90	130	130	200	0.02
20	4	19	17	42	106	150	120	130	130	0.06
25	5	25	21.8	42	189	240	130	140	170	0.10
30	6	31.5	31.5	42	288	576	120	120	130	1.00

1 MPa = 145.04 psi • 1 l = 0.264 gal



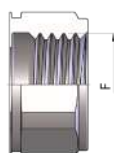
PRH3 DN10 - BG 2 - ISO 10

VS SERIES

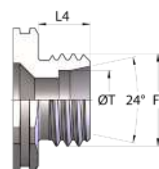


THREADS	L2	L3	L4	ØT	F	STANDARD	FEMMINA - FEMALE - MUFFE - FEMELLE			MASCHIO - MALE - STECKER - MALE		
							COD. F	Weight (g)	Packaging (pcs.)	COD. M	Weight (g)	Packaging (pcs.)
IG 1	68	67			BSP 3/8"	DIN 3852-2-X	PRH3.1010.112	286	42	PRH3.1010.113	362	30
AG 3	64	63	10	08L	M14x1.5	ISO 8434-1-L	PRH3.1014.302	258	42	PRH3.1014.303	342	30
	58		10	08L	M14x1.5	ISO 8434-1-L	PRH3.1014.302 VS	233	42			
	65	64	11	10L	M16x1.5	ISO 8434-1-L	PRH3.1016.302	259	42	PRH3.1016.303	344	30
	59		11	10L	M16x1.5	ISO 8434-1-L	PRH3.1016.302 VS	235	42			
	65	64	11	12L	M18x1.5	ISO 8434-1-L	PRH3.1018.302	259	42	PRH3.1018.303	345	30
	59		11	12L	M18x1.5	ISO 8434-1-L	PRH3.1018.302 VS	236	42			
	66	65	12	15L	M22x1.5	ISO 8434-1-L	PRH3.1022.302	267	42	PRH3.1022.303	353	30
	60		12	15L	M22x1.5	ISO 8434-1-L	PRH3.1022.302 VS	244	42			
	66	65	12	10S	M18x1.5	ISO 8434-1-S	PRH3.1018.402	265	42	PRH3.1018.403	350	30
	60		12	10S	M18x1.5	ISO 8434-1-S	PRH3.1018.402 VS	240	42			
	66	65	12	12S	M20x1.5	ISO 8434-1-S	PRH3.1020.402	267	42	PRH3.1020.403	352	30
	60		12	12S	M20x1.5	ISO 8434-1-S	PRH3.1020.402 VS	243	42			
	68	67	14	14S	M22x1.5	ISO 8434-1-S	PRH3.1022.402	272	42	PRH3.1022.403	358	30
	62		14	14S	M22x1.5	ISO 8434-1-S	PRH3.1022.402 VS	249	42			
	68	67	14	16S	M24x1.5	ISO 8434-1-S	PRH3.1024.402	276	42	PRH3.1024.403	361	30
	62		14	16S	M24x1.5	ISO 8434-1-S	PRH3.1024.402 VS	252	42			

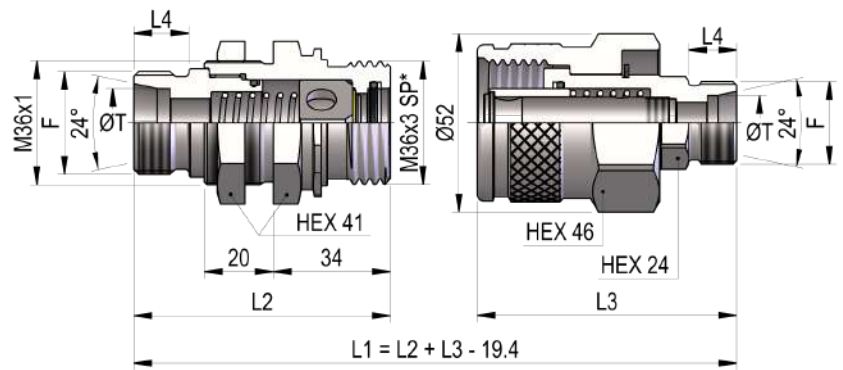
THREADS



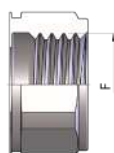
IG 1



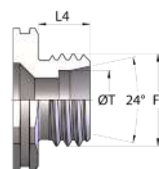
AG 3

PRH3 DN13 - BG 3 - ISO 12.5


THREADS	L2	L3	L4	ØT	F	STANDARD	FEMMINA - FEMALE - MUFFE - FEMELLE			MASCHIO - MALE - STECKER - MALE		
							COD. F	Weight (g)	Packaging (pcs.)	COD. M	Weight (g)	Packaging (pcs.)
IG 1	74	75.4			BSP 1/2"	DIN 3852-2-X	PRH3.1313.112	406	30	PRH3.1313.113	492	24
AG 3	70	73.4	12	15L	M22x1.5	ISO 8434-1-L	PRH3.1322.302	379	30	PRH3.1322.303	476	24
	72	75.4	14	16S	M24x1.5	ISO 8434-1-S	PRH3.1324.402	376	30	PRH3.1324.403	485	24
	74.5	77.4	16	20S	M30x2	ISO 8434-1-S	PRH3.1330.402	394	30	PRH3.1330.403	535	24

THREADS


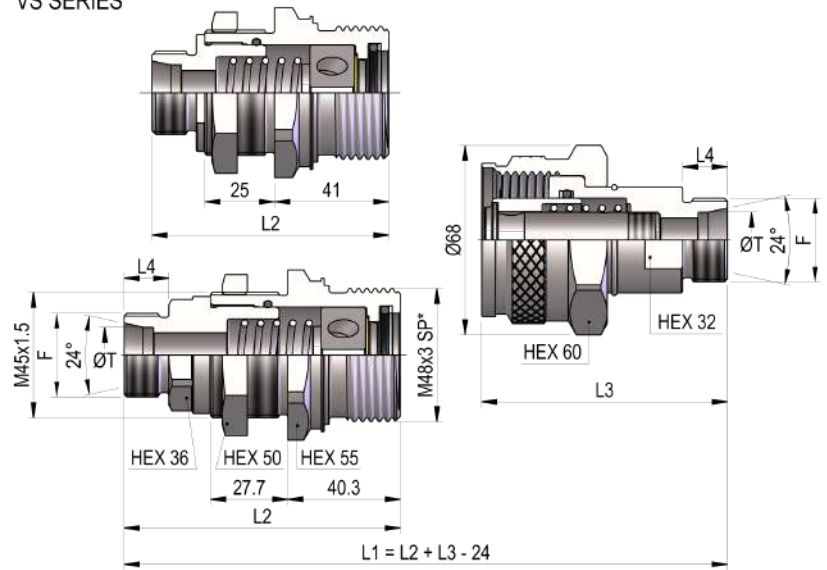
IG 1



AG 3

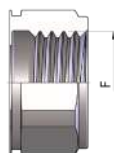
PRH3 DN20 - BG 4 - ISO 19

VS SERIES

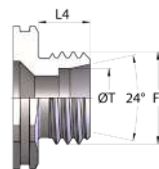


THREADS	L2	L3	L4	ØT	F	STANDARD	FEMMINA - FEMALE - MUFFE - FEMELLE			MASCIO - MALE - STECKER - MALE		
							COD. F	Weight (g)	Packaging (pcs.)	COD. M	Weight (g)	Packaging (pcs.)
IG 1	93	86			BSP 3/4"	DIN 3852-2-X	PRH3.2019.112	789	18	PRH3.2019.113	835	13
AG 3	95	84	12	15L	M22x1.5	ISO 8434-1-L	PRH3.2022.302	812	18	PRH3.2022.303	798	13
	81		12	15L	M22x1.5	ISO 8434-1-L	PRH3.2022.302 VS	694	18			
	95	84	12	18L	M26x1.5	ISO 8434-1-L	PRH3.2026.302	807	18	PRH3.2026.303	805	13
	81		12	18L	M26x1.5	ISO 8434-1-L	PRH3.2026.302 VS	696	18			
	97	86	14	16S	M24x1.5	ISO 8434-1-S	PRH3.2024.402	820	18	PRH3.2024.403	799	13
	83		14	16S	M24x1.5	ISO 8434-1-S	PRH3.2024.402 VS	702	18			
	99	88	16	20S	M30x2	ISO 8434-1-S	PRH3.2030.402	822	18	PRH3.2030.403	817	13
	85		16	20S	M30x2	ISO 8434-1-S	PRH3.2030.402 VS	713	18			

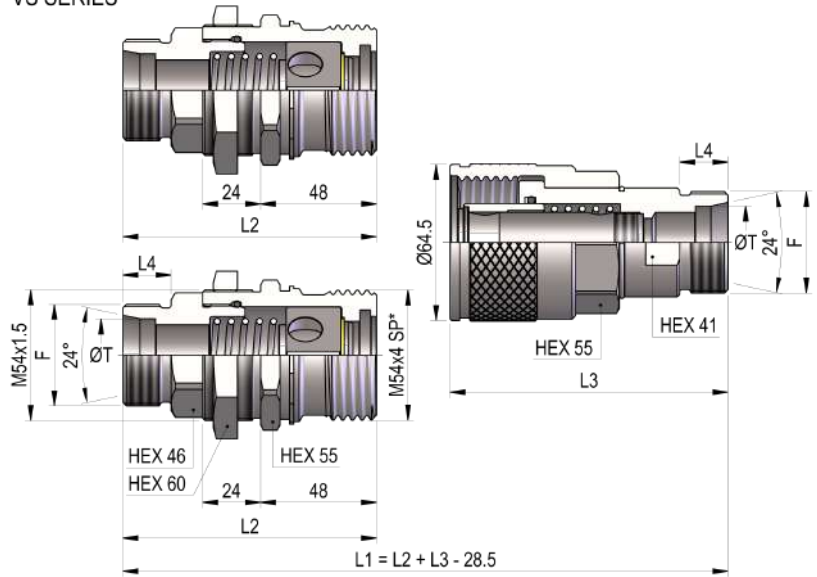
THREADS



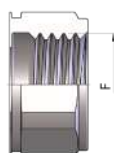
IG 1



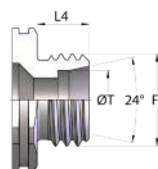
AG 3

PRH3 DN25 - BG 5 - ISO 25
VS SERIES


THREADS	L2	L3	L4	ØT	F	STANDARD	FEMMINA - FEMALE - MUFFE - FEMELLE			MASCIO - MALE - STECKER - MALE		
							COD. F	Weight (g)	Packaging (pcs.)	COD. M	Weight (g)	Packaging (pcs.)
IG 1	101	107			BSP 1"	DIN 3852-2-X	PRH3.2525.112	1044	13	PRH3.2525.113	1322	12
AG 3	101	107	12	18L	M26x1.5	ISO 8434-1-L	PRH3.2526.302	1059	13	PRH3.2526.303	1324	12
			12	18L	M26x1.5	ISO 8434-1-L	PRH3.2526.302 VS	1005	13			
	103	109	14	22L	M30x2	ISO 8434-1-L	PRH3.2530.302	1050	13	PRH3.2530.303	1314	12
			14	22L	M30x2	ISO 8434-1-L	PRH3.2530.302 VS	1000	13			
	103	109	14	28L	M36x2	ISO 8434-1-L	PRH3.2536.302	1033	13	PRH3.2536.303	1309	12
			14	28L	M36x2	ISO 8434-1-L	PRH3.2536.302 VS	990	13			
	105	111	16	20S	M30x2	ISO 8434-1-S	PRH3.2530.402	1074	13	PRH3.2530.403	1336	12
			16	20S	M30x2	ISO 8434-1-S	PRH3.2530.402 VS	1034	13			
	107	113	18	25S	M36x2	ISO 8434-1-S	PRH3.2536.402	1074	13	PRH3.2536.403	1348	12
			18	25S	M36x2	ISO 8434-1-S	PRH3.2536.402 VS	1043	13			
	109	115	20	30S	M42x2	ISO 8434-1-S	PRH3.2542.402	1082	13	PRH3.2542.403	1361	12
			20	30S	M42x2	ISO 8434-1-S	PRH3.2542.402 VS	1050	13			

THREADS


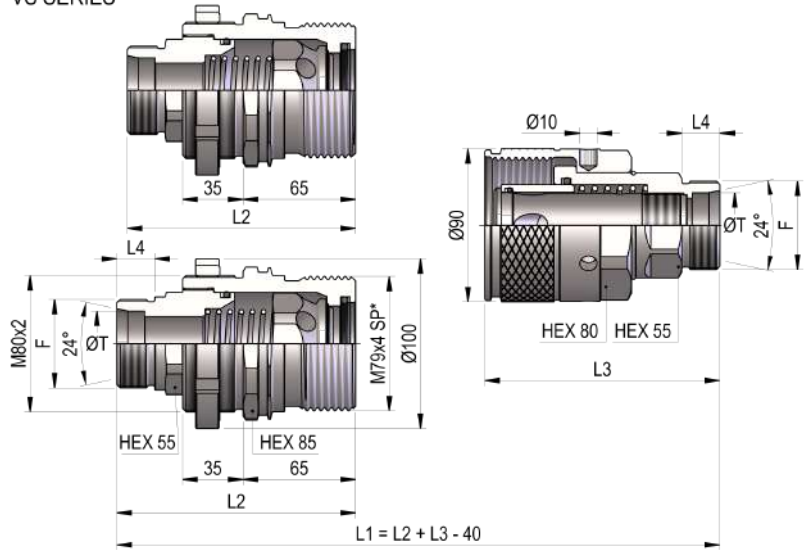
IG 1



AG 3

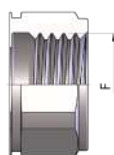
PRH3 DN30 - BG 6 - ISO 31.5

VS SERIES

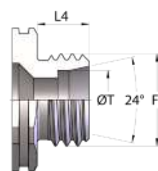


THREADS	L2	L3	L4	ØT	F	STANDARD	FEMMINA - FEMALE - MUFFE - FEMELLE			MASCHIO - MALE - STECKER - MALE		
							COD. F	Weight (g)	Packaging (pcs.)	COD. M	Weight (g)	Packaging (pcs.)
IG 1	132	148			1 1/4 BSP	DIN 3852-2-X	PRH3.3031.112	3137	4	PRH3.3031.113	3239	4
AG 3	132	136	16	35L	M45x2	ISO 8434-1-L	PRH3.3045.302	3111	4	PRH3.3045.303	2937	4
			16	35L	M45x2	ISO 8434-1-L	PRH3.3045.302 VS	3079	4			
	129	136	16	42L	M52x1	ISO 8434-1-L	PRH3.3052.302 VS	3100	4	PRH3.3052.303	2954	4
	138	136	22	38S	M52x2	ISO 8434-1-S	PRH3.3052.402	3193	4	PRH3.3052.403	2921	4
	132		22	38S	M52x2	ISO 8434-1-S	PRH3.3052.402 VS	3122	4			

THREADS



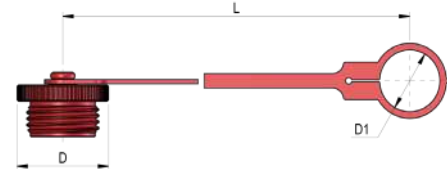
IG 1



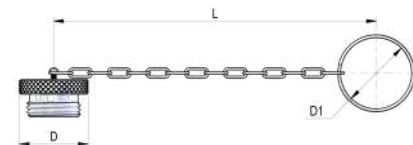
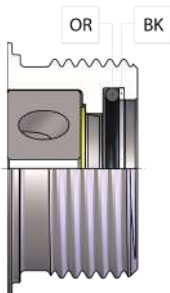
AG 3

PLASTIC CAPS

NOMINAL SIZE			FEMALE DUST PLUG				MALE DUST CAP				COLOR	MATERIAL		
DNP	BG	ISO	COD. F	Dimensions			Weight (g)	COD. M	Dimensions			Weight (g)		
				D	L	D1			D	L	D1			
10	2	10	SPRH.10002	35	184	36	9	SPRH.10003	38	185	30	14	●	Polypropylene
10	2	10	SPRH.10012	35	184	36	9	SPRH.10013	38	185	30	14	●	Polypropylene
10	2	10	SPRH.10022	35	184	36	9	SPRH.10023	38	185	30	14	●	Polypropylene
10	2	10	SPRH.10032	35	184	36	9	SPRH.10033	38	185	30	14	●	Polypropylene
13	3	12.5	SPRH.13002	45	185	30	14	SPRH.13003	42	186	40	16	●	Polypropylene
20	4	19	SPVV.25002	54	190	41	23	SPVV.25003	55	190	41	20	●	Polypropylene


METAL CAPS

NOMINAL SIZE			FEMALE DUST PLUG				MALE DUST CAP				MATERIAL		
DNP	BG	ISO	COD. F	Dimensions			Weight (g)	COD. M	Dimensions			Weight (g)	
				D	L	D1			D	L	D1		
20	4	19	SPRH.20202	60	275	47.5	115	SPRH.20203	60	275	47.5	122	Aluminum
25	5	25	SPRH.25202	65	275	47.5	144	SPRH.25203	65	275	47.5	158	Aluminum
30	6	31.5	SPRH.30202	90	275	47.5	280	SPRH.30203	90	275	47.5	400	Aluminum


SPARE PARTS


NOMINAL SIZE			FEMALE GASKET	
DNP	BG	ISO	OR-I (NBR*)	BK (PTFE)
10	2	10	PVV.010.120	PVV.010.130
13	3	12.5	PRH.013.120	PRH.013.130
20	4	19	PVV.013.121	PRH.019.130
25	5	25	PTV.019.120	PRH.025.130
30	6	31.5	PRH.031.120	PRH.031.130

*AL CODICE DELLA GUARNIZIONE IN NBR AGGIUNGERE 'E' PER EPDM O 'V' PER VITON

*TO THE NBR GASKET CODE ADD 'E' FOR EPDM OR 'V' FOR VITON

*ZU DER ARTIKELNR. DER NBR DICHTUNG GEBEN SIE 'E' FUER EPDM ODER 'V' FUER VITON AN

*AU CODE DU JOINT EN NBR JOINDRE 'E' POUR EPDM OU 'V' POUR VITON