



## Technical data

E

- Interchange: Faster P510
- Occlusion: flat face
- Locking: lever with safety device
- Material: steel and aluminum
- Finishing: Zn-Fe (Cr III), Anodizing
- Threads: BSP-SAE
- Standard seals: NBR and PU
- Working temperature: -25°C+100°C
- Optional seals: FKM, EPDM or more.
- Working pressure: 250 bar
- Connection under residual pressure: allowed (male side only)

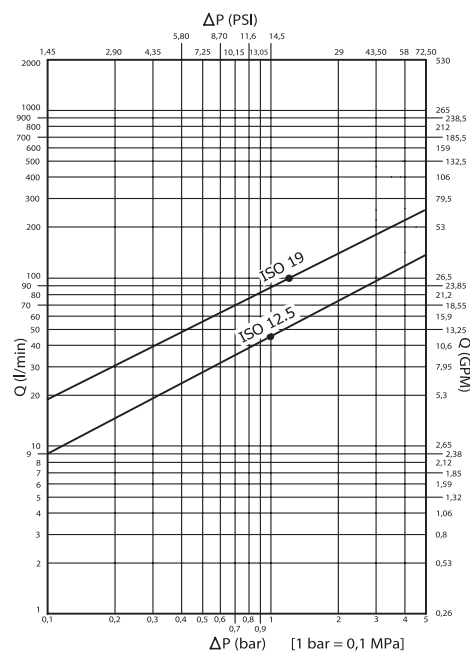
## Technische Merkmale

D

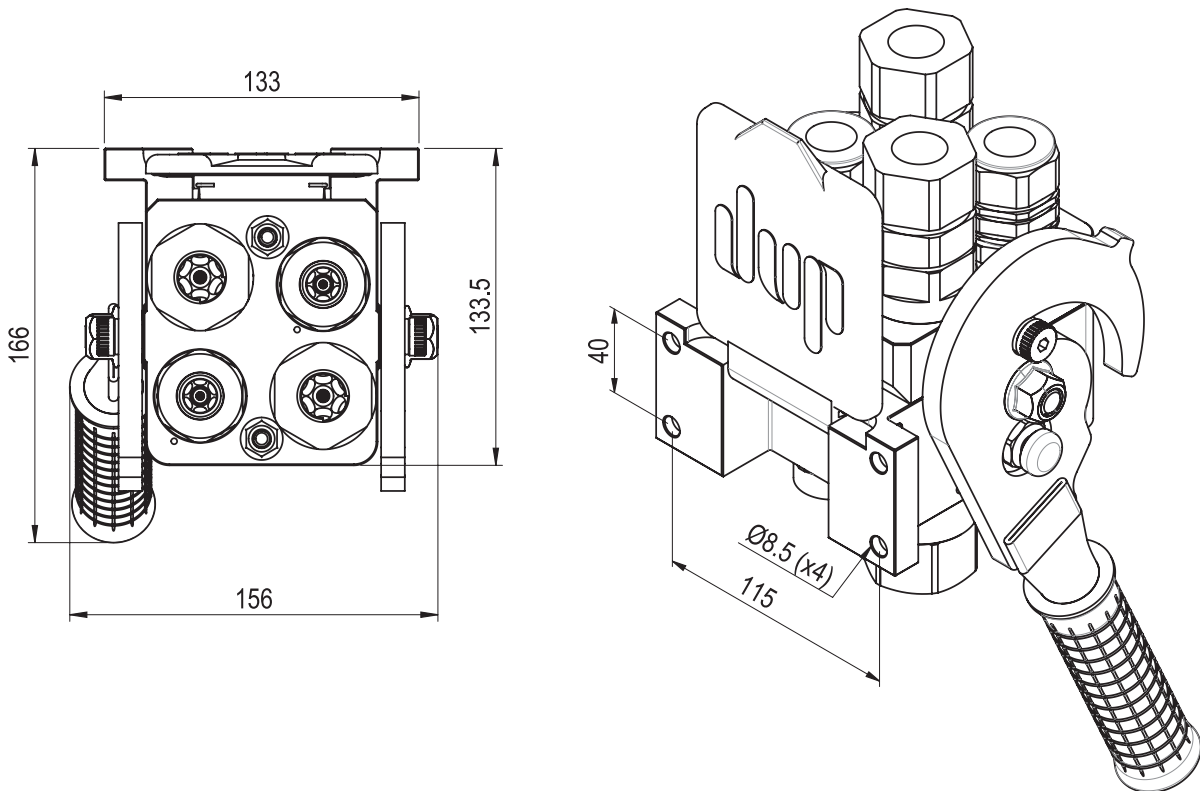
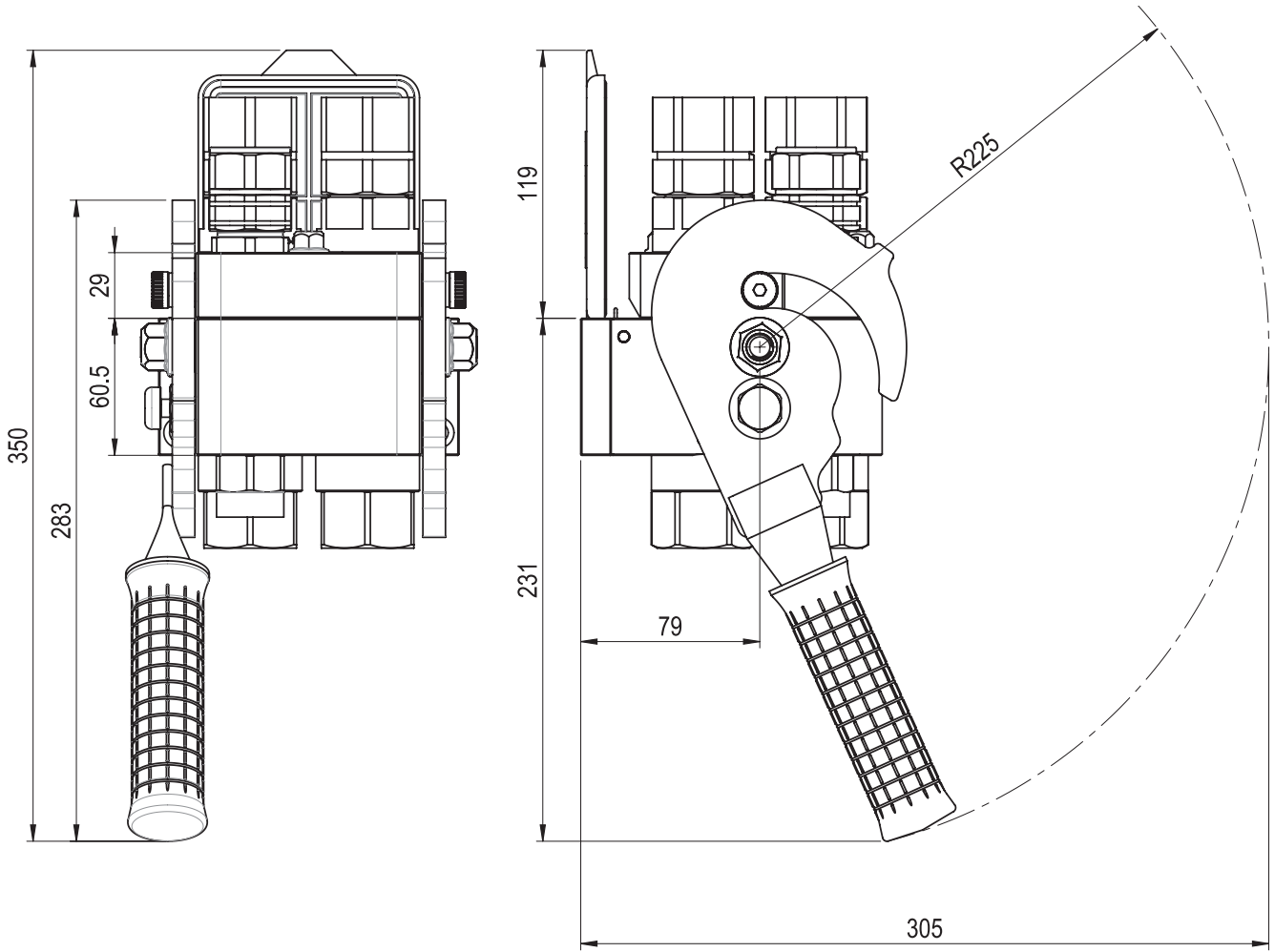
- Austauschbarkeit: Faster P510
- Verschluss: flachdichtend
- Kupplung: Hebel mit Sicherung
- Werkstoff: Stahl und Aluminium
- Ausführung: Zn-Fe (Cr III), Eloxiert
- Gewinde: BSP-SAE
- Standard-Dichtungen: NBR und PU
- Betriebstemperatur: -25°C+100°C
- Dichtungen nach Wahl: FKM, EPDM, usw.
- Betriebsdruck: 250 bar
- Kuppeln unter Restdruck: erlaubt (nur Steckerseite)

Nominal size				Max working pressure	Rated flow	Max flow rate	Min burst pressure			Fluid spillage
DNP	BG	ISO	Ømm	MPa	l/min	l/min	Male	Female	Coupled	cc
20	3	12.5	10.7	25	45	90	120	120	120	0.012
25	4	19	14.8	25	100	200	120	120	120	0.020

1 MPa = 145.04 psi • 1 l = 0.264 gal



## PSF4 DIMENSION



## PSF4 FIXED



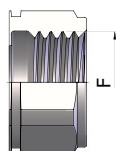
THREADS	DNP	BG	ISO	Housings	No. of Couplings	F	STANDARD	FIXED PART	
								CODE	Weight (g)
<b>IG 1</b>	20	3	12.5	4	2	BSP 1/2"	DIN 3852-2	PSF4.2GCG.2EDG.2	4750
	25	4	19		2	BSP 3/4"			
	20	3	12.5	4	1	BSP 1/2"	DIN 3852-2	PSF4.1GCG.2EDG.2	4570
	25	4	19		2	BSP 3/4"			
	20	3	12.5	4	1	BSP 1/2"	DIN 3852-2	PSF4.1GCG.1EDG.2	4140
	25	4	19		1	BSP 3/4"			
	20	3	12.5	4	0	-	DIN 3852-2	PSF4.2EDG.2	4390
	25	4	19		2	BSP 3/4"			
<b>IG 2</b>	20	3	12.5	4	2	1"-1/16-12 UN 2B	SAE J 1926-1	PSF4.2GDU.2ECU.2	4970
	25	4	19		2	3/4"-16 UNF 2B			
	20	3	12.5	4	0	-	SAE J 1926-1	PSF4.2EDU.2	4420
	25	4	19		2	1"-1/16-12 UN 2B			

## PSF4 MOBILE

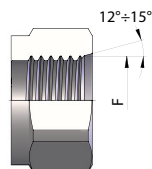


THREADS	DNP	BG	ISO	Housings	No. of Couplings	F	STANDARD	MOBILE PART	
								CODE	Weight (g)
<b>IG 1</b>	20	3	12.5	4	2	BSP 1/2"	DIN 3852-2	PSF4.2GCG.2EDG.3	3070
	25	4	19		2	BSP 3/4"			
	20	3	12.5	4	1	BSP 1/2"	DIN 3852-2	PSF4.1GCG.2EDG.3	2670
	25	4	19		2	BSP 3/4"			
	20	3	12.5	4	1	BSP 1/2"	DIN 3852-2	PSF4.1GCG.1EDG.3	1910
	25	4	19		1	BSP 3/4"			
	20	3	12.5	4	0	-	DIN 3852-2	PSF4.2EDG.3	2270
	25	4	19		2	BSP 3/4"			
<b>IG 2</b>	20	3	12.5	4	2	1"-1/16-12 UN 2B	SAE J 1926-1	PSF4.2GDU.2ECU.3	3180
	25	4	19		2	3/4"-16 UNF 2B			
	20	3	12.5	4	0	-	SAE J 1926-1	PSF4.2EDU.3	2260
	25	4	19		2	1"-1/16-12 UN 2B			

THREADS



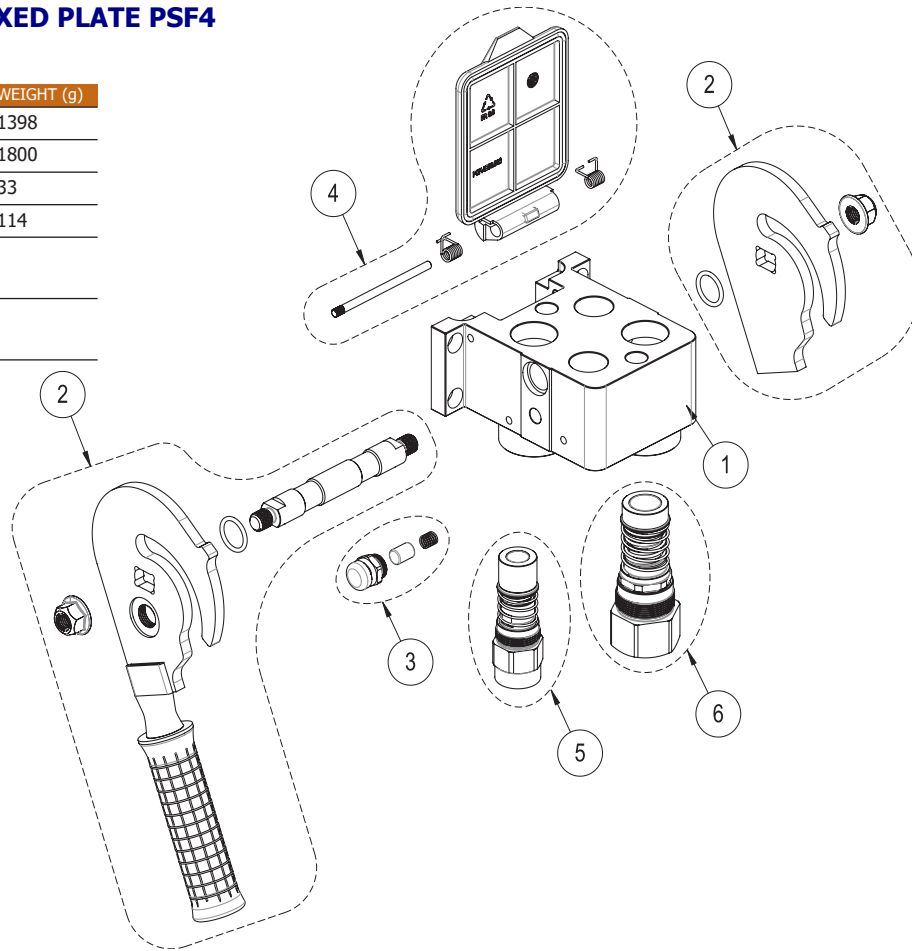
IG 1



IG 2

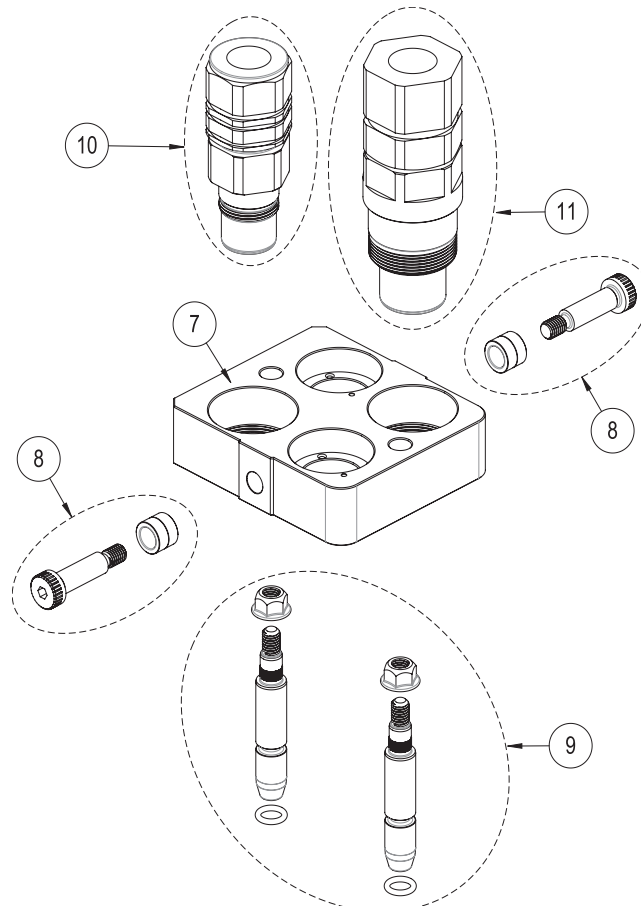
## SPARE PARTS FIXED PLATE PSF4

POS.	PART NUMBER	WEIGHT (g)
1	PSF.2C2G.102	1398
2	PSF.KIT.442	1800
3	PSF.KIT.050	33
4	PSF.KIT.4902	114
5	SEE SPARE PARTS ISO 12.5	
6	SEE SPARE PARTS ISO 19	

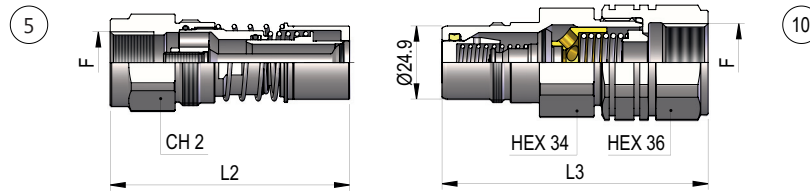


## SPARE PARTS MOBILE PLATE PSF4

POS.	PART NUMBER	WEIGHT (g)
7	PSF.2C2G.103	501
8	PSF.KIT.120	72
9	PSF.KIT.017	169
10	SEE SPARE PARTS ISO 12.5	
11	SEE SPARE PARTS ISO 19	

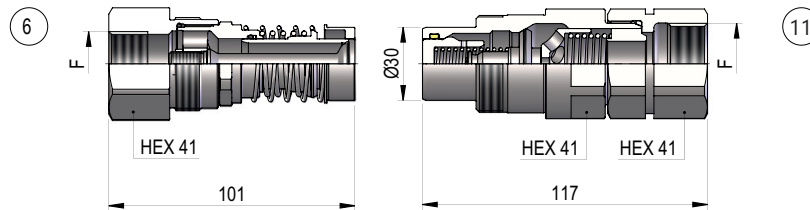


## SPARE PARTS ISO 12.5 COUPLINGS

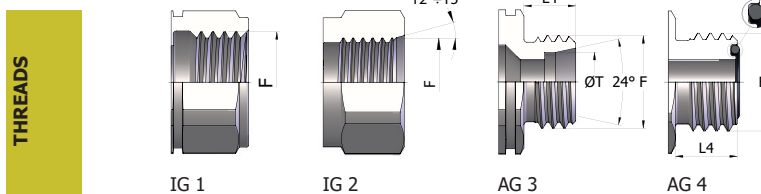


THREADS	DNP	BG	ISO	CH2	L2	L3	L4	ØT	F	STANDARD	SPARE PARTS			
											FEMALE - MUFFE		MALE - STECKER	
											COD. F	Weight (g)	COD. M	Weight (g)
<b>IG 1</b>	20	3	12.5	30	82	89.5			BSP 1/2"	DIN 3852-2	POF4.2013.112 R	208	POF4.2013.113	400
	20	3	12.5	30	83	91.8			NPT 1/2"	ANSI B1.20.1	POF4.2013.012 R	214	POF4.2013.013	413
	20	3	12.5	34	84	91.5			BSP 3/4"	DIN 3852-2	POF4.2019.112 R	223	POF4.2019.113	380
<b>IG 2</b>	20	3	12.5	30	82	87			3/4"-16 UNF 2B	SAE J 1926-1	POF4.2019.032 R	212	POF4.2019.033	392
	20	3	12.5	34	87	91			1-1/16"-12 UN 2B	SAE J 1926-1	POF4.2027.032 R	229	POF4.2027.033	401
<b>AG 3</b>	20	3	12.5	30	86	87	11	12L	M18x1.5	ISO 8434-1-L	POF4.2018.302 R	209	POF4.2018.303	338
	20	3	12.5	30	87	88	12	15L	M22x1.5	ISO 8434-1-L	POF4.2022.302 R	215	POF4.2022.303	343
	20	3	12.5	30	87	88	12	12S	M20x1.5	ISO 8434-1-S	POF4.2020.402 R	218	POF4.2020.403	345
<b>AG 4</b>	20	3	12.5	30	87.3	89	13		13/16"-16 UN	ISO 8434-3	POF4.2020.432 R	219	POF4.2020.433	354

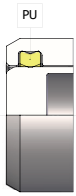
## SPARE PARTS ISO 19 COUPLINGS



THREADS	DNP	BG	ISO	F	STANDARD	SPARE PARTS			
						FEMALE - MUFFE		MALE - STECKER	
						COD. F	Weight (g)	COD. M	Weight (g)
<b>IG 1</b>	25	4	19	BSP 3/4"	DIN 3852-2	POF4.2519.112 R	454	POF4.2519.113	760
	25	4	19	BSP 1"	DIN 3852-2	POF4.2525.112 R	404	POF4.2525.113	696
<b>IG 2</b>	25	4	19	3/4"-16 UNF 2B	SAE J 1926-1	POF4.2519.032 R	493	POF4.2519.033	815
	25	4	19	1-1/16"-12 UN 2B	SAE J 1926-1	POF4.2527.032 R	445	POF4.2527.033	754



## SPARE PARTS SEALS



NOMINAL SIZE			MALE GASKET
DNP	BG	ISO	PU (POLYURETHANE)
20	3	12.5	PVT.019.210
25	4	19	PVT.025.210

## PLUGS



NOMINAL SIZE			PART NUMBER	COLOR	MATERIAL
DNP	BG	ISO			
20	3	12.5	TPOF20	●	PVC



NOMINAL SIZE			PART NUMBER	COLOR	MATERIAL
DNP	BG	ISO			
25	4	19	TPOF25	●	PVC