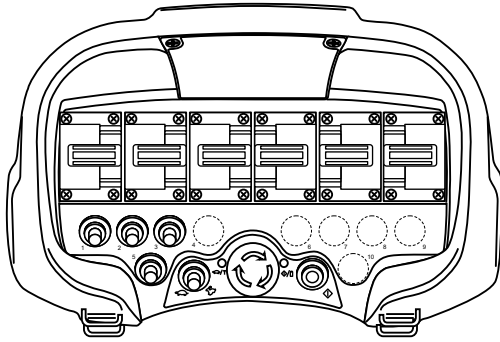
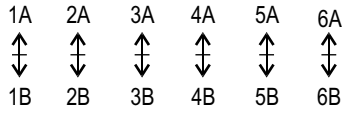


PORTABLE  
CONTROLLER  
UNIT  
Type 48669



SWITCH MAP

	left/up	center	right/down
SW1:	1 - 0 - 8		
SW2:	2 > 0 < 3		
SW3:	4 > 0 < 5		
SW5:	9+6	-	0

- = detent  
 >/< = spring return

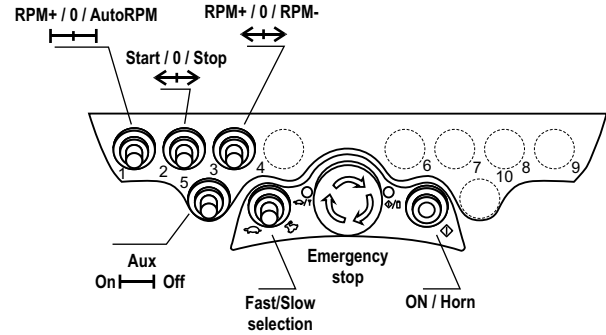
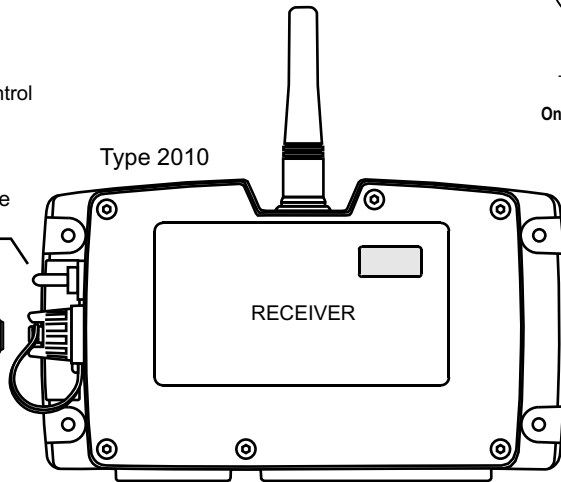
OUTPUT MAP

Pos	DF	OUT	Pos	DF	OUT
1	1	1	11	10	12
2	3	2	12	11	13
3	4	3	13	12	14
4	7	4	14	13	-
5	31	5	15	9	-
6	5	6	16	8	-
7	32	-	17	37	-
8	2	9	18	34	-
9	6	10	19	35	-
10	33	11	20	36	-
Clacson/Horn			17	7	
Emergency Stop			40	8	

Cable used to  
bypass radio mode  
or to program  
the radio remote control

L=10m

Manual/Off/Remote  
switch selector



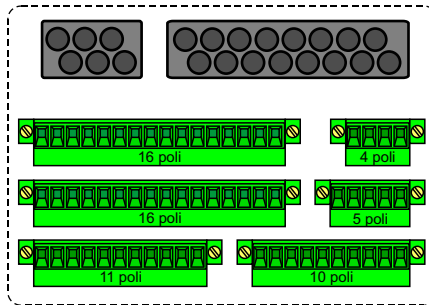
**AutoRPM working switch description**

When SW1 is on +RPM (left position)  
Output Out1 remains always ON.

When SW1 is on AutoRPM (right position)  
Output Out9 is ON while output Out1  
turns ON only when a proportional lever is not in  
center. Out1 turns OFF with a 6 seconds delay  
after all levers have returned in center.

Two SET of speed.  
SET2 = WMB mode = reduced speed  
and single function system.  
WMB = WorkMan Basket

G2B connector kit code 47790



- Single supply for Danfoss modules
- DV delay = 0.5 s
- The "Emergency stop" output (Out8) is active (positive) only when the PCU is on.

SW da scaricare: vedi tabella a parte

B= Crane  
C=WMB  
U=only SET1

<b>FABERCOM</b>	CODICE:	<b>PR5MxD36SS</b>
DESC: Scanreco RC400 G2B radio remote control global view for Danfoss with mini PCU with 6 levers, without wirings		
FILE: ...\\G2B\\Produzione\\Danfoss\\mini\\PR5MxD36SS_je.cdr		
DATA: 06/05/14	FOGLIO 1	DI 2

conn. K7	Signal	Description
K7.1	+Vdc	Power supply 12/24V
K7.2	GND	GND
K7.3	DV+	+ Dump Valve
K7.4	DV GND	GND

Power supply

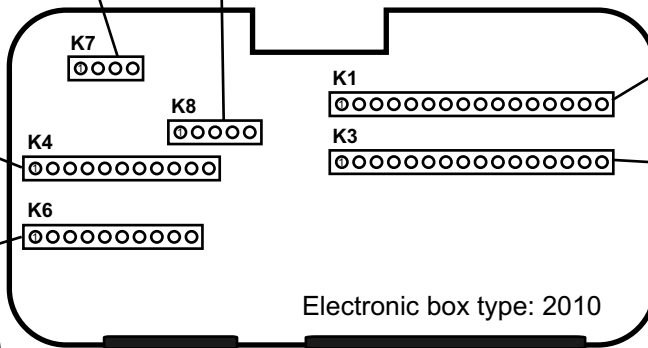
DV output

conn. K4	Signal	Description
K4.1	out1	RPM+/AutoRPM
K4.2	out2	Start
K4.3	out3	Stop
K4.4	out4	RPM+
K4.5	out5	RPM-
K4.6	out6	- not used -
K4.7	GND	GND
K4.8	din1	- not used -
K4.9	din2	- not used -
K4.10	din3	SET2 selection
K4.11	+Vdc out	Positive in Remote

conn. K6	Signal	Description
K6.1	out7	Horn
K6.2	out8	Emergency stop
K6.3	out9	AutoRPM selected
K6.4	out10	Aux
K6.5	GND	GND
K6.6	out11	- not used -
K6.7	out12	- not used -
K6.8	out13/din4	- not used -
K6.9	out14/ser.	- not used -
K6.10	GND	GND

Connector K8	Description
K8.1	CAN-H
K8.2	CAN-L
K8.3	GND
K8.4	CAN-H
K8.5	CAN-L

Connect a 120 Ohm resistor to K8.1 and K8.2 to terminate Canbus line



For version x="C":  
connect together when SET2 (slow speed) is not used.  
Disconnecting **din3** from positive,  
SET2 (slow speed, single movement allowed) is selected.

Collegare insieme nella versione Base (x="B").

	Connector K1	Description
Function no. 1	K1.1	Power 1
	K1.2	Signal 1
	K1.3	GND
	K1.4	-
Function no. 2	K1.5	Power 2
	K1.6	Signal 2
	K1.7	GND
Function no. 3	K1.8	-
	K1.9	Power 3
	K1.10	Signal 3
	K1.11	GND
Function no. 4	K1.12	-
	K1.13	Power 4
	K1.14	Signal 4
	K1.15	GND
	K1.16	-

	Connector K3	Description
Function no. 5	K3.1	Power 5
	K3.2	Signal 5
	K3.3	GND
	K3.4	-
Function no. 6	K3.5	Power 6
	K3.6	Signal 6
	K3.7	GND
	K3.8	-
Function no. 7	K3.9	Power 7
	K3.10	Signal 7
	K3.11	GND
	K3.12	-
Function no. 8	K3.13	Power 8
	K3.14	Signal 8
	K3.15	GND
	K3.16	-

Danfoss proportional outputs

<b>FABERCOM</b>	CODICE: <b>PR5MxD36SS</b>
DESC: Scanreco RC400 G2B radio remote control for Danfoss. Connections inside the central unit.	
FILE: ...\\G2B\Produzione\Danfoss\mini\PR5MxD36SS_ie.cdr	
DATA: 06/05/14	FOGLIO 2 DI 2