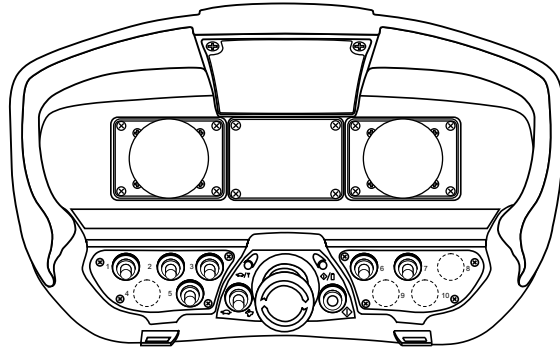
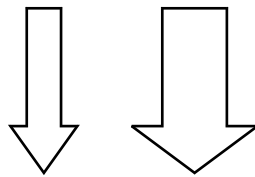
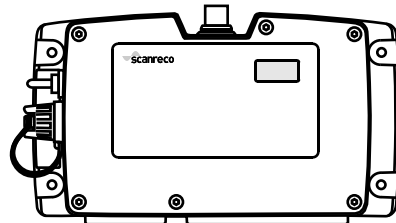


PORTABLE  
CONTROL  
UNIT  
Type 48800



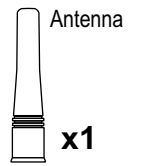
CENTRAL  
UNIT G2B  
Type 3010



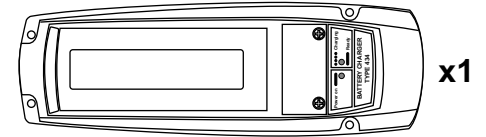
Power supply  
AUX

PWM A+B proportional  
modules outputs

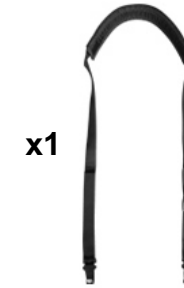
Battery



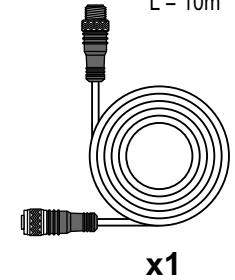
Battery charger 12/24Vdc



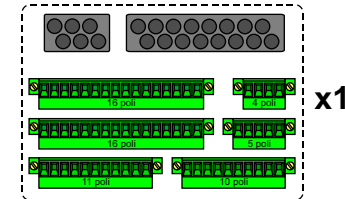
Neck belt



Programming cable  
L = 10m



Connector kit code 47790



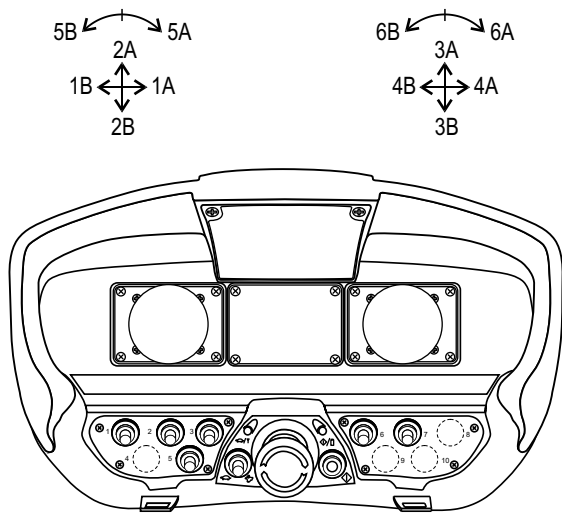
Manual & Documents



**ACCESSORIES**

0	08/06/2022	Emissione	1	1
Rev.	Date	Description	FM	Designed

<b>scanrefaber</b>		CODE:	<b>PR6MU016RSY25</b>	
		CUST. CODE:	XXXXX	
DESC: Scanreco RC400 G2B radio remote control global view with maxi PCU and PWM outputs				
FILE: ...\\Salhydro\\Radio\\G2B\\3010 ter maxi 3-0-3\\PR6MU016RSY25-0.cdr				
DATE:	08/06/2022	REV.	0	SHEET 1 OF 3



#### Switch connections

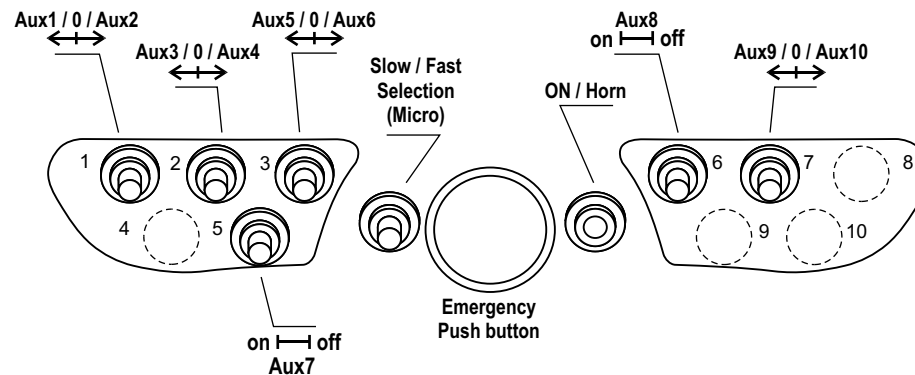
	left/up	center	right/down
SW1:	1 > 0 < 8		
SW2:	2 > 0 < 3		
SW3:	4 > 0 < 5		
SW5:	9	-	0
SW6:	11	-	0
SW7:	12 > 0 < 13		

⇄ - = detent  
 ⇄ >/< = spring return

#### Outputs map

pos	DF	OUT	pos	DF	OUT
1	1	1	11	10	10
2	3	3	12	11	11
3	4	4	13	12	12
4	7	5	14	13	13
5	31	6	15	9	14
6	5	-	16	8	-
7	32	-	17	37	-
8	2	2	18	34	-
9	6	9	19	35	-
10	33	-	20	36	-

Clacson/Horn 17 7  
 Emergency Stop 40 8



#### PCU configuration:

- PCU off time = 5 min.
- Disconnect LED activated.
- 5 levels of speed reduction active (Micro).

#### CU configuration:

- CAN bus: ID 100
- Baud rate 250Kbps.
- Slave.
- CAN filter active.
- Error Frame control not active.
- Termination not active.
- Only one SET of speed: SET1 multifunction.

#### Digital outputs:

- Maximum current: 1.8A.
- Emergency stop output (Out8): positive when PCU is connected with the CU.

#### DV output:

- Activated with proportional Levers/Joysticks.
- Maximum current: 2A.
- DV delay off: 0.5 sec.

#### PWM outputs:

- The loads connected to the PWM outputs must have a minimum impedance of 3.7 Ohm at 12Vdc and a maximum current of 2500mA.
- Calibrations for 12Vdc OMFB PDV74 proportional modules: Imin. = 200mA, Imax. = 1200mA, Frequency = 180Hz and Dither 300.

#### General information:

- The programming cable is used to bypass radio mode or to program the radio remote control.
- Working frequency (Europe): 433.050 - 434.750 MHz.
- For all other radio remote control information, see the "User manual".

#### Note di produzione:

##### Pulsantiera:

Tempo di spegnimento pulsantiera = 5 min.  
5 livelli Micro.

##### Disconnect LED attivo.

Applicare etichetta numerata cod. F0000050520 su switch-plate sinistra.

##### Unità Centrale:

Solo SET1 multifunzione.  
Ritardo spegnimento DV 0.5 sec.  
Tarature per OMFB PDV74 a 12Vdc: 200/1200mA.

##### CAN bus:

TPDO1 prelevato a valle.  
TPDO3 non attivo.  
Mappatura standard bit1-32.  
Terminazione non attiva.  
Error frame disabilitato.  
CAN filter attivo.  
Slave.

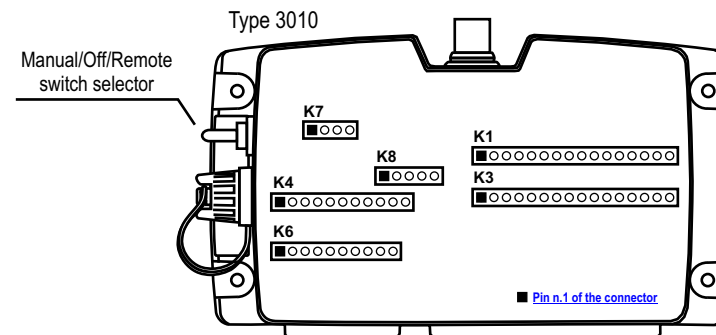
SW CU: FS52056P

FW: CU 4.40, PCU 1.40 o superiori

<b>scanrecofaber</b>		CODE: <b>PR6MUO16RSY25</b>
		CUST. CODE: XXXXX
DESC: Scanreco maxi PCU configuration and function description.		
FILE: ...\\Salhydro\\Radio\\G2B\\3010 ter maxi 3-0-3\\PR6MUO16RSY25-0.cdr		
DATE: 08/06/2022	REV. 0	SHEET 2 OF 3

Conn. K4	Cable	Description
K4.1	-	Out1 - Aux 1
K4.2	-	Out2 - Aux 2
K4.3	-	Out3 - Aux 3
K4.4	-	Out4 - Aux 4
K4.5	-	Out5 - Aux 5
K4.6	-	Out6 - Aux 6
K4.7	-	GND
K4.8	-	Din1 - not used
K4.9	-	Din2 - not used
K4.10	-	Din3 - not used
K4.11	-	Positive in Remote

Conn. K6	Cable	Description
K6.1	-	Out7 - Horn
K6.2	-	Out8 - Emergency stop
K6.3	-	Out9 - Aux 7
K6.4	-	Out10 - Aux 8
K6.5	-	GND
K6.6	-	Out11 - Aux 9
K6.7	-	Out12 - Aux 10
K6.8	-	Out13/Din4 - not used
K6.9	-	Out14/Serial - not used
K6.10	-	GND



Conn. K7	Cable	Description
K7.1	-	Power Supply +12Vdc
K7.2	-	GND
K7.3	-	+ Dump valve
K7.4	-	GND

Conn. K8	Cable	Description
K8.1	-	CAN-H - not used
K8.2	-	CAN-L - not used
K8.3	-	CAN-GND - not used
K8.4	-	CAN-H - not used
K8.5	-	CAN-L - not used

	Conn. K1	Cable	Description
Function no.1	K1.1	-	PWM 1a
	K1.2	-	GND
	K1.3	-	PWM 1b
	K1.4	-	GND
Function no.2	K1.5	-	PWM 2a
	K1.6	-	GND
	K1.7	-	PWM 2b
	K1.8	-	GND
Function no.3	K1.9	-	PWM 3a
	K1.10	-	GND
	K1.11	-	PWM 3b
	K1.12	-	GND
Function no.4	K1.13	-	PWM 4a
	K1.14	-	GND
	K1.15	-	PWM 4b
	K1.16	-	GND

	Conn. K3	Cable	Description
Function no.5	K3.1	-	PWM 5a
	K3.2	-	GND
	K3.3	-	PWM 5b
	K3.4	-	GND
Function no.6	K3.5	-	PWM 6a
	K3.6	-	GND
	K3.7	-	PWM 6b
	K3.8	-	GND
Function no.7	K3.9	-	PWM 7a
	K3.10	-	GND
	K3.11	-	PWM 7b
	K3.12	-	GND
Function no.8	K3.13	-	PWM 8a
	K3.14	-	GND
	K3.15	-	PWM 8b
	K3.16	-	GND

### IMPORTANT NOTICES:

Scanreco strongly recommends that the GND connections of the PWM coils must be connected to the dedicated pin in to the receiver socket Board. Different connections may produce some disturbance on the radio signal and consequently malfunctions of the radio itself.

If the above connection is not possible, you should connect the PWM negatives directly to the negative terminal of the battery or to the GND point connected directly to it.

Scanreco also recommends to connect the main negative of the radio directly to the negative terminal of the battery or to the GND point connected directly to it.

scanrecofaber	CODE:	PR6MUO16RSY25					
	CUST. CODE:	XXXXX					
DESC:	Connections for PWM A+B central unit without wirings.						
FILE:	...\Salydro\Radio\G2B\3010 ter maxi 3-0-3\PR6MUO16RSY25-0.cdr						
DATE:	08/06/2022	REV:	0	SHEET	3	OF	3