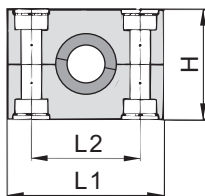
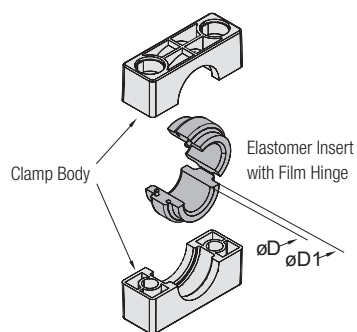


Clamp Body with Elastomer Insert
Type RI



B

Group	STAUFF	DIN	Outside Diameter		Ordering Codes	(**R = Clamp Body Material)	Clamp Body	Insert *	Dimensions (mm/in)								
			Pipe / Tube / Hose	Ø D					Clamp Assembly	(Clamp Body + Insert)	(2 Clamp Halves)	Ø D1	L1	L2	H	Width	
4S	2	6		4006-**-R	4S-**-R	RI-06-4/4S	25	70	45	46,5	30,5	.98	2.76	1.77	4.83	1.20	
		8	5/16	4008-**-R													RI-08-4/4S
		10		4010-**-R													RI-10-4/4S
		12		4012-**-R													RI-12-4/4S
		12,7	1/2	4012.7-**-R													RI-12.7-4/4S
		14		4014-**-R													RI-14-4/4S
		15		4015-**-R													RI-15-4/4S
		16	5/8	4016-**-R													RI-16-4/4S
		17,2		4017.2-**-R													RI-17.2-4/4S
		18		4018-**-R													RI-18-4/4S
19	3/4	4019-**-R	RI-19-4/4S														
5S	3	20		5020-**-R	5S-**-R	RI-20-6/5S	38	85	60	58	30,5	1.50	3.35	2.36	2.28	1.20	
		21,3		5021.3-**-R													RI-21.3-6/5S
		22	7/8	5022-**-R													RI-22-6/5S
		25		5025-**-R													RI-25-6/5S
		26,9		5026.9-**-R													RI-26.9-6/5S
		28		5028-**-R													RI-28-6/5S
		30		5030-**-R													RI-30-6/5S
		32	1-1/4	5032-**-R													RI-32-6/5S
		32	1-1/4	6032-**-R													RI-32-6S
		33,7		6033.7-**-R													RI-33.7-6S
6S	4	35		6035-**-R	6S-**-R	RI-35-6S	64	115	90	87	45	2.52	4.53	3.54	3.43	1.77	
		38,7		6038.7-**-R													RI-38.7-6S
		40		6040-**-R													RI-40-6S
		42		6042-**-R													RI-42-6S
		45,5		6045.5-**-R													RI-45.5-6S
		48		6048-**-R													RI-48-6S
		51	2	6051-**-R													RI-51-6S
		53,4		6053.4-**-R													RI-53.4-6S
		56,4		6056.4-**-R													RI-56.4-6S
		55		7055-**-R													RI-55-7S
7S	5	57	2-1/4	7057-**-R	7S-**-R	RI-57-7S	88	154	122	120	60	3.56	6.06	4.80	4.72	2.36	
		60		7060-**-R													RI-60-7S
		63,5	2-1/2	7063.5-**-R													RI-63.5-7S
		65		7065-**-R													RI-65-7S
		70	2-3/4	7070-**-R													RI-70-7S
		72		7072-**-R													RI-72-7S
		76	3	7076-**-R													RI-76-7S
		80		8080-**-R													RI-80-8S
8S	6	88,9	3-1/2	8088.9-**-R	8S-**-R	RI-88.9-8S	114	208	168	168	80	4.49	8.11	6.61	6.61	3.15	
		102		8102-**-R													RI-102-8S
		114		9114-**-R													RI-114-9S
9S	7	133	5-1/4	9133-**-R	9S-**-R	RI-133-9S	150	251	205	200	91	5.91	9.88	8.07	7.87	3.58	
		140		9140-**-R													RI-140-9S
		150		10150-**-R													RI-150-10S
10S	8	165		10165-**-R	10S-**-R	RI-165-10S	200	336	265	270	120	7.87	13.22	10.43	10.63	4.72	
		168		10168-**-R													RI-168-10S
		172		10172-**-R													RI-172-10S

Ordering Codes

Clamp Assembly ***4*006-*PP-R**

One assembly is consisting of one clamp body and one insert.

- * 1st part of STAUFF Group **4**
- * Exact outside diameter Ø D (mm) **006**
- * Material code (see below) **PP-R**

Clamp Body ***4S-*PP-R**

One clamp body is consisting of two clamp halves.

- * STAUFF Group **4S**
- * Material code (see below) **PP-R**

Elastomer Insert ***RI-*06-*4/4S**

- * Elastomer Insert **RI**
- * Exact outside diameter Ø D (mm) **06**
- * STAUFF Group **4S (Heavy) and 4 (Standard) 4/4S**
- 5S (Heavy) and 6 (Standard) 6/5S**
- 6S (Heavy) 6S**
- 7S (Heavy) 7S**
- 8S (Heavy) 8S**
- 9S (Heavy) 9S**
- 10S (Heavy) 10S**

Standard Materials

Polypropylene
Colour: Black
Material code: **PP-R**

Polyamide
Colour: Black
Material code: **PA-R**

Elastomer Insert
4S to 6S: **Thermoplastic Elastomer (73 Shore-A)**
7S to 10S: **EPDM (70 Shore-A)**
Colour: Black

See pages 154 / 155 for material properties and technical information.

Special Materials

Please contact STAUFF for further details on fire-proof clamp body materials, tested and approved according to several international fire-protection standards (such as BS 6853, EN 45545-2, UL 94 and many more).

See pages 156 / 157 for material properties and technical information.

Product Features

- Proven, tested and trusted product in various markets
- Either for the extra vibration/noise reducing installation of pipes and tubes or the extra gentle installation of hoses and cables
- Available for all commonly used outside diameters
- Excellent weathering resistance, even under extreme conditions

* Elastomer Inserts for Heavy Series clamp bodies, STAUFF Group 4S also fit into Standard Series clamp bodies, STAUFF Group 4. Elastomer Inserts for Heavy Series clamp bodies, STAUFF Group 5S also fit into Standard Series clamp bodies, STAUFF Group 6.

Additional outside diameters are available upon request. Please contact STAUFF for further information.

