



SHURflo®

**Marine Product Catalog
International**

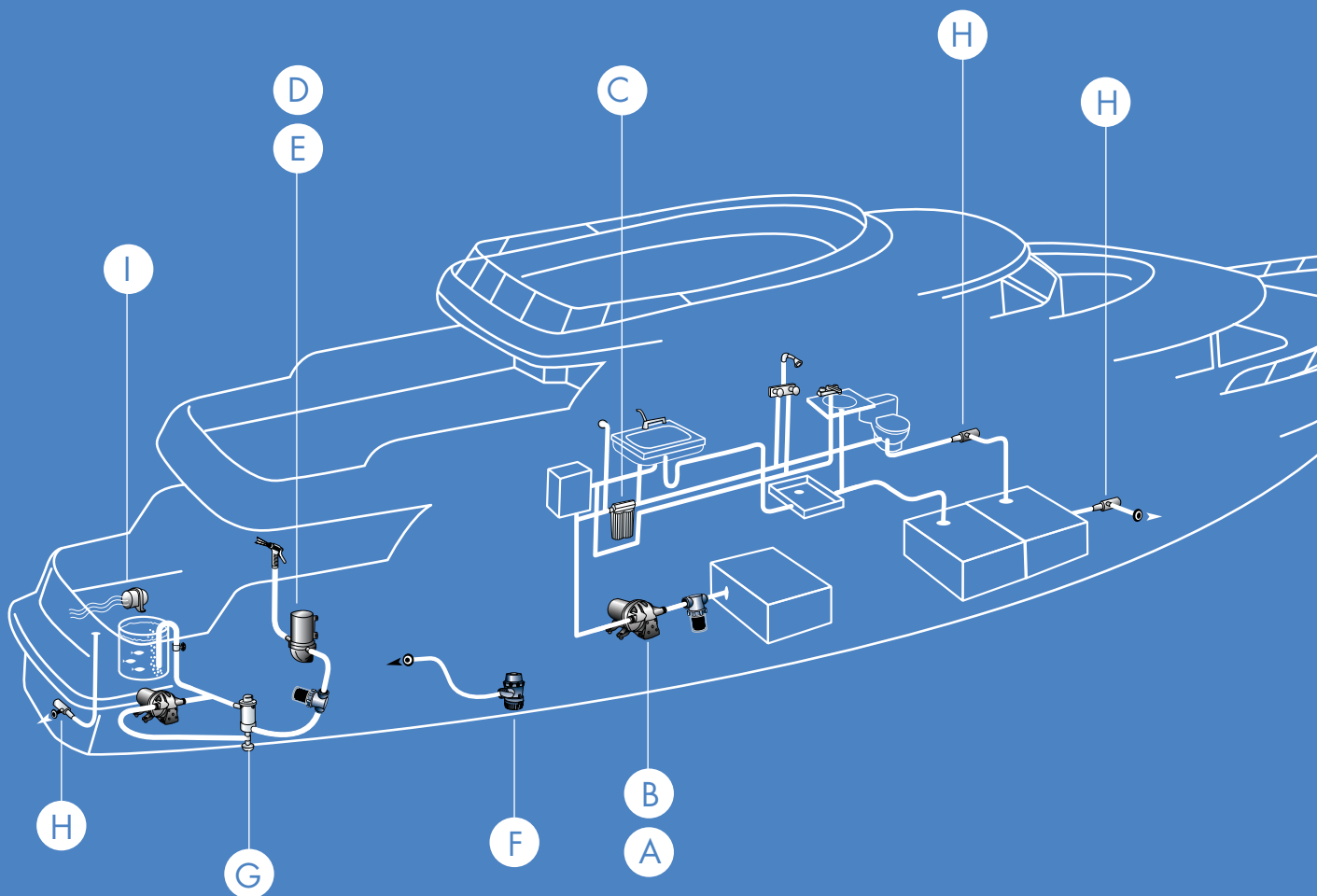
12



MARINE

pumps & accessories

SHURflo has been the marine industry's leading plumbing supplier since 1968. SHURflo manufactures diaphragm, centrifugal, gear, roller and flexible impeller pumps, fluidhandling systems and accessories that can be modified to satisfy OEM customer requirements. Through innovative product design, superior service and close customer relationships, SHURflo supports the growth of the marine industry and ensure the satisfaction of boaters around the world.



Page
Content

2-3

Fresh Water
Pumps

4-5

Washdown
Pumps

6

Bilge
Pumps

7

Livewell
Pumps

8

Utility
Pumps

9

Macerator
Pumps

9

Marine
Blowers

All Major System Components

A **AquaKing™**
Fresh Water Pumps

B **Extreme™ Series**
Fresh Water & Washdown Pumps

C **WATERguard™**
FILTRATION
Water Filtration

D **Blaster™**
Washdown Pumps

E **PRO Blaster™**
Washdown Pumps

F Bilge Pumps

G Livewell Pumps

H **MACERATOR**
Sanitation & Fish Box Evacuation

I **yellowTAIL™**
In-Line Blower
Marine Blowers

10
Water
Filtration

10
Transfer
Pumps

10
Gear
Pumps

11
Water System
Accessories

12-13
Pump
Fittings

14-16
Pump Repair &
Rebuild Kits

17-19
Installation
Guidelines

FRESH WATER

pumps



Aqua King™ Fresh Water Pumps



SHURflo pumps guarantee quiet operation and smooth performance while providing the ultimate in durability and reliability. Designed and built specifically for the harsh marine environment, SHURflo pumps are equipped with sealed switches and seamless e-coated motors. Thermally Protected. Ignition Protected.



A



B



C

Name	Model # OEM/Aftermarket	Description	Voltage	Dimensions Inches/Millimeters	Flow Rate GPM/LPM	Amps (Max.)	Shut-Off Pressure
Aqua King™ Premium 4.0 (A)	4901-4215 4901-4202 4901-4212	Intermittent duty Multi fixture application	12 VDC	8.3" x 5.3" x 5.0" [210 x 136 x 127mm]	4.0 GPM [15.1 LPM]	10	30 PSI [2.1 BAR] 45 PSI [3.1 BAR]
Aqua King™ Standard 3.0 (B)	3901-0203 3901-0213 3901-0204 3901-0214	Intermittent duty Multi fixture application	12 VDC	7.3" x 5.0" x 4.6" [184 x 127 x 118 mm]	3.0 GPM [11.35 LPM]	5	30 PSI [2.1 BAR] 45 PSI [3.0 BAR]
Aqua King™ Standard 3.0	3901-1213 3901-1204 3901-1214	Intermittent duty Multi fixture application	24 VDC	7.3" x 5.0" x 4.6" [184 x 127 x 118 mm]	3.0 GPM [11.35 LPM]	3	30 PSI [2.1 BAR] 45 PSI [3.0 BAR]
Aqua King™ Junior 2.0	2901-0202 2901-0212 2901-0203 2901-0213	Intermittent duty 1 & 2 fixtures, sinks, shower	12 VDC	7.3" x 5.0" x 4.6" [184 x 127 x 118 mm]	2.0 GPM [7.6 LPM]	4	20 PSI [1.4 BAR] 30 PSI [2.1 BAR]
Aqua King™ Mini 1.0 (C)	1901-0003 1901-0013	Intermittent duty single fixture application	12 VDC	6.4" x 3.2" x 4.5" [162 x 81 x 114 mm]	1.0 GPM [3.8 LPM]	3	30 PSI [2.1 BAR]



Extreme™ Series Smart Sensor™ 4.0



The Smart Sensor™ 4.0 is designed specifically for cruisers and midsize yachts. Delivering 15 liter per minute and pressure up to 3.4 bar, this micro-controller based variable speed pump precisely monitors your system's water pressure and adjusts the motor speed, SHURflo engineered the Smart Sensor™ 4.0 with a superior four-chamber design that incorporates large inlet and outlet passages to maximise water flow and efficiency, providing a "Just Like Home" shower and quiet operation. Corrosion resistant coated seamless motor shell and a protected electronic package make the Smart Sensor™ 4.0 capable of handling the harsh marine environment. Thermally Protected. Ignition Protected.



Name	Model # OEM/Aftermarket	Description	Voltage	Dimensions Inches/Millimeters	Flow Rate GPM/LPM	Amps (Max.)	Shut-Off Pressure
Smart Sensor™ 4.0 12 VDC	4901-0201 4901-0211	Seamless Shell w/Electro-Coating. Variable Speed, Multi-Fixture Marine	12 VDC	8.3" x 5.3" x 5.0" [210 x 136 x 127mm]	4.0 GPM [15.1 LPM]	9	50 PSI [3.4 BAR]
Smart Sensor™ 4.0 24 VDC	4901-1201 4901-1211	Seamless Shell w/Electro-Coating. Variable Speed, Multi-Fixture Marine	24 VDC	8.3" x 5.3" x 5.0" [210 x 136 x 127mm]	4.0 GPM [15.1 LPM]	5	50 PSI [3.4 BAR]

Extreme™ Series Smart Sensor™ 5.7

Extreme™ Series

CE

The Smart Sensor™ 5.7 is a micro processor control based variable speed pump that delivers 18.9 liter per minute and pressure up to 4.1 bar. SHURflo's Smart Sensor™ 5.7 precisely monitors your system's water pressure and adjusts the motor speed. Corrosion resistant coated seamless motor shell and protected electronic package make the Smart Sensor™ capable of handling the harsh marine environment. Thermally Protected. Ignition Protected.



Name	Model # OEM/Aftermarket	Description	Voltage	Dimensions Inches/Millimeters	Flow Rate GPM/LPM	Amps (Max.)	Shut-Off Pressure
Smart Sensor™ 5.7 12 VDC	5901-0201 5901-0211	Seamless Shell w/Electro-Coating. Variable Speed, Multi-Fixture Marine	12 VDC	9.25" x 5.00" x 5.50" [235 x 127 x 121 mm]	5.0 GPM [18.9 LPM]	12	60 PSI [4.1 BAR]
Smart Sensor™ 5.7 24 VDC	5901-1201 5901-1211	Seamless Shell w/Electro-Coating. Variable Speed, Multi-Fixture Marine	24 VDC	9.25" x 5.00" x 5.50" [235 x 127 x 121 mm]	5.0 GPM [18.9 LPM]	5	60 PSI [4.1 BAR]
Smart Sensor™ 5.7 12 VDC	5901-0203 5901-0253	Seamless Shell w/Electro-Coating. Variable Speed, Multi-Fixture Marine	12 VDC	9.25" x 5.00" x 5.50" [235 x 127 x 121 mm]	5.0 GPM [18.9 LPM]	12	35 PSI [2.2 BAR]

Extreme™ Series High Flow Strainer

Extreme™ Series

CE

SHURflo highly recommends the use of the Extreme™ Series High Flow Strainer, engineered to complement the higher performance of the Smart Sensor™, to keep your Extreme™ Series Pumps flowing strong by protecting it from debris in the water. Easy installation and even easier to clean.

Name	Model # OEM/Aftermarket	Description
Extreme™ Series High Flow Strainer	254-066 254-266	50 Mesh Screen. Protects pumps from harmful debris. High capacity, rugged nylon housing with clear twist off polyamide bowl and slide out easy to clean screen.



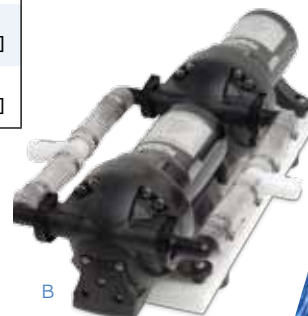
Extreme™ Series Accumulator Combo

Extreme™ Series

CE 

The most advanced system available, this fully-automatic, quiet unit pumps smoothly and consistently. Self-priming, corrosion-resistant and NSF certified tank. They run dry without damage.

Name	Model #	Description	Maximum Flow GPM/LPM	Amps (Max.)	Shut-Off Pressure
12 VDC Pump/ Accumulator Combo	4902-4212	12 VDC Aqua King Premium with 2 Gallon [7.6 BAR] stainless steel accumulator tank	4.0 GPM [15.1 LPM]	10	45 PSI [3.1 BAR]
12 VDC Pump/ Accumulator Combo with Extreme™ ProBlaster™	5902-2212	12 VDC Extreme™ ProBlaster™ system. With 2 gallon [7.57 Liter] stainless steel accumulator tank.	5.3 GPM [20.1 LPM]	14	45 PSI [3.1 BAR]
24 VDC Pump/ Accumulator Combo with Extreme™ ProBlaster™ (A)	5902-3212	24 VDC Extreme™ ProBlaster™ system. With 2 gallon [7.57 Liter] stainless steel accumulator tank.	5.3 GPM [20.1 LPM]	6	45 PSI [3.1 BAR]
12 VDC High Flow Smart System	5907-5304	12 VDC Extreme™ Smart Sensor™ 5.7 and Extreme™ ProBlaster™, Manifold Assembly and Mounting Board.	10 GPM [37.8 LPM]	12/14	60 PSI [4.1 BAR]
24 VDC High Flow Smart System (B)	5907-6304	24 VDC Extreme™ Smart Sensor™ 5.7 and Extreme™ ProBlaster™, Manifold Assembly and Mounting Board.	10 GPM [37.8 LPM]	5/6	60 PSI [4.1 BAR]



WASHDOWN

pumps



Extreme™ ProBlaster™ Washdown Pumps

Extreme™ Series



The Extreme™ ProBlaster™ delivers over 20 liter per minute and pressure up to 3,1 bar, giving you the ultimate in washdown capabilities. This high volume pump will clean your deck quickly and easily. The corrosion resistant coated seamless motor shell with sealed switch provides excellent protection against the harsh marine environment. The Extreme™ Pro Blaster™ is designed for the toughest washdown applications! Thermally protected. Ignition protected.

Name	Model # OEM/Aftermarket	Voltage	Dimension Inches/Millimeters	Flow Rate GPM/LPM	Amps (Max.)	Shut-Off Pressure
Extreme™ ProBlaster™ 12 VDC	5901-2202 5901-2212	12 VDC	9.25" x 5.0" x 5.50" [235 x 127 x 140 mm]	5.3 GPM [20.1 LPM]	12	45 PSI [3.1 BAR]
Extreme™ ProBlaster™ 24 VDC	5901-3202 5901-3212	24 VDC	9.25" x 5.0" x 5.50" [235 x 127 x 140 mm]	5.3 GPM [20.1 LPM]	6	45 PSI [3.1 BAR]



Washdown Pumps

Blaster™ PRO Blaster™



A



B

Perfect for tough washdown applications, such as fish box, scaling, and anchor chain cleaning, these rugged self-priming pumps deliver high lift, can run dry without damage, and won't overheat with extended use. Pumps are ignition protected and switches are sealed against water damage. Thermally protected. Ignition protected.

Name	Model # OEM/Aftermarket	Voltage	Dimension Inches/Millimeters	Flow Rate GPM/LPM	Amps (Max.)	Shut-Off Pressure
Blaster™ 12 VDC (A)	3901-2204 3901-2214	12 VDC	7.6" x 5.0" x 4.6" [203 x 127 x 118mm]	3.5 GPM [13.2 LPM]	6	45 PSI [3.1 BAR]
Blaster™ 24 VDC	3901-3204 3901-3214	24 VDC	7.6" x 5.0" x 4.6" [203 x 127 x 118mm]	3.5 GPM [13.2 LPM]	4.5	45 PSI [3.1 BAR]
ProBlaster™ 12 VDC (B)	4901-4292 4901-4282	12 VDC	8.3" x 5.3" x 5.0" [210 x 136 x 127mm]	4.0 GPM [15.1 LPM]	10	45 PSI [3.1 BAR]
ProBaitmaster™ 12 VDC	4901-6202 4901-6212	12 VDC	9.25" x 5.3" x 5.0" [235 x 136 x 127mm]	4.0 GPM [15.1 LPM]	10	45 PSI [3.1 BAR]
ProBlaster™ 24 VDC	4901-5292 4901-5282	24 VDC	8.3" x 5.3" x 5.0" [210 x 136 x 127mm]	4.0 GPM [15.1 LPM]	5.5	45 PSI [3.1 BAR]
ProBlaster™ Junior	2901-6203 2901-6213	12 VDC	7.6" x 5.0" x 4.6" [203 x 127 x 118mm]	2.0 GPM [7.6 LPM]	4	30 PSI [2.1 BAR]

Washdown Kit

PRO Washdown Kit



SHURflo's new washdown kit includes everything you need for tough washdown applications all in one box. The kit includes the Next Generation ProBlaster™ Pump, Fittings, Blaster™ Nozzle, Raw Water Strainer and a 25' coiled hose. *Coiled hose also available separately.

Name	Model # OEM/Aftermarket	Voltage	Dimension Inches/Millimeters	Flow Rate GPM/LPM	Amps (Max.)	Shut-Off Pressure	Accessories Included
Pro Washdown Kit	4903-4292 4903-4282	12 VDC	8.3" x 5.3" x 5.0" [210 x 136 x 127mm]	4.0 GPM [15.1 LPM]	10	45 PSI [3.1 BAR]	25' [7.6 m] self-coiling hose. Spray nozzle & fittings



Raw Water Strainers



SHURflo's family of Raw Water Strainers are built to keep your bait tank, livewell and washdown pumps protected from harmful debris. The Raw Water Strainer features a clear twist off bowl and removable stainless steel screen, which allows for easy inspection and cleaning. An integral o-ring creates a tight seal, eliminating possible leaks. Keep your pumps and components lasting longer by protecting them with the SHURflo Raw Water Strainer.

Name	Model # OEM/Aftermarket	Description
1/2" Strainer (A)	253-120-00 253-120-01	50 Mesh Screen. Protects pumps from harmful debris. High capacity, rugged nylon housing with clear twist off polyamide bowl and slide out easy to clean screen.
3/4" Strainer	253-220-00 253-220-01	50 Mesh Screen. Protects pumps from harmful debris. High capacity, rugged nylon housing with clear twist off polyamide bowl and slide out easy to clean screen.
1" Strainer (B)	253-320-00 253-320-01	50 Mesh Screen. Protects pumps from harmful debris. High capacity, rugged nylon housing with clear twist off polyamide bowl and slide out easy to clean screen.
1 1/4" Strainer	253-400-00 253-400-01	20 Mesh Screen. Protects pumps from harmful debris. High capacity, rugged nylon housing with clear twist off polyamide bowl and slide out easy to clean screen.



BILGE

pumps

CE SHURflo® 380 - 1000 GPH Bilge Pumps



Quality bilge pumps you can trust. SHURflo® bilge pumps are built for the harsh marine environment to withstand the toughest conditions. Standard with 3' (0,9 m) Tinned Wire Assembly. Water cooled motors for extended life.

Name	Model # OEM/Aftermarket	Description	Voltage	Dimensions Inches/Millimeters	Round Footprint	Port Size Outlet	Flow Rate GPH/LPH	Amp Draw
Bilge 380	355-020-00 355-020-10	Continuous Duty. Submersible with 3' Tinned Wire Assembly. Tough Nylon Housing. Quick-Snap Fixed Baseplate. Ignition Protected. ISO 8849	12 VDC	4.2" x 3.75" [114 x 95 mm]	2 3/8" [86 mm]	3/4" [19 mm]	380 GPH [1438 LPH]	1.7
Bilge 500	355-010-00 355-010-10		12 VDC	4.2" x 3.75" [114 x 95 mm]	2 3/8" [86 mm]	3/4" [19 mm]	500 GPH [1893 LPH]	1.8
Bilge 700	355-110-00 355-110-10		12 VDC	4.2" x 3.75" [114 x 95 mm]	2 3/8" [86 mm]	3/4" [19 mm]	700 GPH [2650 LPH]	3.2
Bilge 1000	355-100-00 355-100-10		12 VDC	4.2" x 3.75" [114 x 95 mm]	2 3/8" [86 mm]	1 1/8" [29 mm]	1000 GPH [3785 LPH]	3.2

CE SHURflo® 1500 & 2000 GPH Bilge Pumps



Heavy duty and built to last. Shurflo's 1500 and 2000 GPH nylon bilge pumps offer a unique motor cooling system (patent pending) to ensure efficient performance and long life. Installation is a snap with our patented swivel base and 6' (1,8 m) tinned wire assembly.

Name	Model # OEM/Aftermarket	Description	Voltage	Dimensions Inches/Millimeters	Port Size Outlet	Flow Rate GPH/LPH	Amps (Max.)
Bilge 1500	358-000-00 358-000-10	Continuous duty. Submersible with 6' [1.8 m] cable. Anti-Air lock. Run dry without damage, swivel baseplate, commercial duty. Ignition Protected. ISO 8849	12 VDC	7.2" x 6.0" [184 x 154 mm]	1 1/8" Outlet Barb	1500 GPH [5677 LPH]	8
	358-100-00 358-100-10		24 VDC	7.2" x 6.0" [184 x 154 mm]	1 1/8" Outlet Barb	1500 GPH [5677 LPH]	4
Bilge 2000	358-010-00 358-010-10		12 VDC	7.2" x 6.0" [184 x 154 mm]	1 1/8" Outlet Barb	2000 GPH [7569 LPH]	10
	358-110-00 358-110-10		24 VDC	7.2" x 6.0" [184 x 154 mm]	1 1/8" Outlet Barb	2000 GPH [7569 LPH]	5

CE Float Switch

The SHURflo float switches provide the ultimate in reliability for your boat. Complete line includes a solid state control, standard float switch and protected cage switch.



Name	Model # OEM/Aftermarket	Description	Voltage	Dimensions Inches/Millimeters
Automatic Float Switch (A)	359-101-30 359-111-30	Manufactured in corrosion resistant and explosion proof material. They can be used for any kind of pump and also for water bilge and other alarm systems.	12/24 VDC	4.6" x 2.1" x 1.6" [116 x 53 x 40 mm]
Automatic Float Switch (B)	359-101-40 359-111-40	Manufactured in corrosion resistant and explosion proof material. They can be used for any kind of pump and also for water bilge and other alarm systems.	12/24 VDC	4.6" x 2.4" x 2.2" [116 x 61 x 55 mm]

LIVEWELL

pumps

Bait Sentry™ Livewell Pumps



CE

The Bait Sentry™ Livewell Pumps are designed for easy installation and trouble-free operation. Magnetic Drive technology eliminates unnecessary failures. Motors keep running after ingesting debris or even when running dry. Patented anti-airlock feature allows the pump to clear trapped air in rough water or when boat is anchored. Includes dual port for easy washdown pump connection.



A

Name	Model # OEM/Aftermarket	Description	Tank Size Gallons (liter)	Dimensions	Port Size Inlet/Outlet	Flow Rate	Amps (Max.)
Bait Sentry™ 500 Magnetic Drive	1700-000-030 1700-001-030	12 VDC Continuous Duty, Ignition Protected, ISO 8846.	30 (113)	4.93" x 7.85" [125 x 200mm]	3/4" Inlet NPT 3/4" Outlet BARB	500 GPH [1893 LPH]	1.75
Bait Sentry™ 800 Magnetic Drive	1700-010-030 1700-011-030		40 (151)	4.93" x 7.85" [125 x 200mm]	3/4" Inlet NPT 3/4" Outlet BARB	800 GPH [3028 LPH]	3.5
Bait Sentry™ 1100 Magnetic Drive (A)	1700-020-030 1700-021-030		60 (226)	4.93" x 7.85" [125 x 200mm]	3/4" Inlet NPT 1-1/8" Outlet BARB	1100 GPH [4164 LPH]	3.75

Pro Baitmaster™ Heavy Duty Livewell Pumps



CE

The Pro Baitmaster™ is excellent for livewell or washdown applications in harsh marine environments. The SHURCote II seamless motor shell and sealed switch protects the pump from splashed liquids. Self-priming and can run dry without damage. Thermally protected. Ignition protected.



Name	Model # OEM/Aftermarket	Description	Tank Size Gallons (liter)	Dimensions	Port Size Inlet/Outlet	Flow Rate	Amps (Max.)
Pro Baitmaster™ 12 VDC	4901-6202 4901-6212	12 VDC Continuous Duty, 45 PSI (3.1 bar), Splashproof, Sealed Motor, Ignition Protected.	35 (132) and under	9.25" x 5.3" x 5.0" [235 x 136 x 127mm]	1/2" MSPT†	4.0 GPM [15.1 LPM]	9
Pro Baitmaster™ 24 VDC	4901-7202 4901-7212	24 VDC Continuous Duty, 45 PSI (3.1 bar), Splashproof, Sealed Motor, Ignition Protected.	35 (132) and under	9.25" x 5.3" x 5.0" [235 x 136 x 127mm]	1/2" MSPT†	4.0 GPM [15.1 LPM]	5

UTILITY pumps

CE General Purpose Pumps

Incorporating SHURflo's advanced motor technology that includes thermal overload protection, these pumps are self-priming, easy to install and are extremely versatile—perfect for a variety of uses including winterizing, oil changing and liquid transfer.



Name	Model # OEM/Aftermarket	Description	Dimensions	Flow Rate GPM/LPM	Amps (Max.)	Port Size
Utility Pump Standard (A)	8050-305-526 8050-305-526	12 VDC-ignition protected. BUNA valves. CE. 7' [2.1 m] prime. Hose kit included. Uses: Winterizing, oil change and liquid transfers	6.5" x 4.5" x 4.3" [165 x 114 x 108 mm]	1.5 GPM [5.6 LPM]	4.5	3/8" F NPT
Utility Pump Premium (B)	8050-305-626 8050-305-626	12 VDC-Same as Standard, includes 8' [2.4 m] cable w/ battery clips. Hose kit included. Uses: Winterizing, oil change and liquid transfers	7.78" x 4.48" x 4.25" [200 x 114 x 106 mm]	1.5 GPM [5.6 LPM]	4.5	3/8" F NPT
Oil Change/Winterizing System (C)	8050-305-426 8050-325-426	12 VDC-8' [2.4 m] cable w/ battery clips. CE. Reversible switch. Hose kit and 3.5 gal [13 L] storage container. Uses: Oil changing, winterizing and liquid transfer	16" H x 12.5" D [406 x 318 mm]	1.5 GPM [5.6 LPM]	4.5	3/8" F NPT
Drill Pump (D)	3010-000 3010-000	1/4" [6 mm] Drill shaft - flexible BUNA impeller. 8' [2.4 m] prime. Uses: Oil change and liquid transfer	—	200 GPH [757 LPH]	—	3/4" GSH M

CE Specialty Pumps

Specifically designed for refrigeration cold plate circulation, these pumps allow you to adjust water flow according to your system. Each features a positive displacement three-chamber diaphragm, self-priming to 1.3 meter vertical and EPDM valves for proven priming ability and longer life.



Name	Model # OEM/Aftermarket	Description	Dimensions	Flow Rate GPM/LPM	Amps (Max.)	Maximum Pressure
Refrigeration Circulation Pump (A)	8050-261-105 8050-261-105	12 VDC-CE version. No switch. Continuous duty motor. Cold Plate refrigeration pump.	7.25" x 4.25" x 4.40" [184 x 108 x 112 mm]	0.5 GPM [1.9 LPM]	1.7	30 PSI [2.1 BAR]
Refrigeration Circulation Pump (B)	2095-273-200 2095-273-200	12 VDC-CE version. No switch. Continuous duty motor. Cold plate refrigeration pump	7.25" x 4.25" x 4.40" [184 x 108 x 112 mm]	1.5 GPM [5.7 LPM]	3.5	70 PSI [4.9 BAR]

CE Closed coupled centrifugal pump

SHURflo close-coupled, 316 stainless steel, semi-open impeller centrifugal models pump continuously, producing high flow rates under low-head conditions. Designed for continuous low pressure circulation and transfer of nonflammable liquids, utility, boiler feed, general transfer, marine applications, water circulation, engine cooling where no suction lift or no self-priming is required.



Name	Model #	Voltage	Dimensions	Flow Rate GPM/LPM	Amps (Max.)	Maximum Pressure
Centrifugal pump	COMSV012D	12 VDC	7.17"x4.00"x4.00" [182x102x102mm]	21 GPM [79.4 LPM]	10.4	10 PSI [0.7 BAR]
Centrifugal pump	COMSV024D	24 VDC	7.17"x4.00"x4.00" [182x102x102mm]	21 GPM [79.4 LPM]	7.8	10 PSI [0.7 BAR]

MACERATOR

pumps

Macerator Pumps

MACERATOR

CE

Designed specifically for sanitation waste and fish box evacuations, SHURflo's Macerator pump features a premium impeller design with run-dry capability and includes our seamless shell motor with o-ring sealed end bells and a sealed manual turn key. SHURflo's unique dual blade and housing construction ensures problem free pumping, providing superior performance in harsh marine environments. Thermally protected and ignition protected.



Name	Model # OEM/Aftermarket	Voltage	Dimensions	Flow Rate	Amps	Port Size
Macerator 12 VDC (A)	3200-000 3200-001	12 VDC	10.79" x 3.82" x 4.48" [274 x 97 x 114 mm]	13 GPM [49 LPM]	15	Inlet 1.5" Barb/ 1.5" NPT Outlet 1" Barb
Macerator 12 VDC 180 Degree Port	3200-100 3200-101	12 VDC	10.79" x 3.82" x 4.48" [274 x 97 x 114 mm]	13 GPM [49 LPM]	15	Inlet 1.5" Barb/ 1.5" NPT Outlet 1" Barb
Macerator 24 VDC	3200-010 3200-011	24 VDC	10.79" x 3.82" x 4.48" [274 x 97 x 114 mm]	13 GPM [49 LPM]	7	Inlet 1.5" Barb/ 1.5" NPT Outlet 1" Barb
Macerator 24 VDC 180 Degree Port	3200-110	24 VDC	10.79" x 3.82" x 4.48" [274 x 97 x 114 mm]	13 GPM [49 LPM]	7	Inlet 1.5" Barb/ 1.5" NPT Outlet 1" Barb

BLOWERS

in-line

YellowTail™ In-Line Blowers

yellowTAIL™
In-Line Blower

CE

SHURflo has developed a unique nylon fan that includes 6 blades to ensure high performance and efficient ventilation. Installation of the Yellowtail™ Blower is made easy with extended barbs and slotted mounting bracket.

Name	Model # OEM/Aftermarket	Description	Dimensions	Volume	Amps
3" YellowTail™ Blower	277-3100 277-3110	12 VDC, CE, Continuous Duty, ISO 9097 Marine, Ignition Protected, USCG 183.410 Compliant, NMMA Type Accepted, ABYC	5.1 x 5.5 x 3.8" [130 x 140 x 96 mm]	120 CFM 204 m³/h	3.8
4" YellowTail™ Blower	277-4100 277-4110	12 VDC, CE, Continuous Duty, ISO 9097 Marine, Ignition Protected, USCG 183.410 Compliant, NMMA Type Accepted, ABYC	5.1 x 6.4 x 4.8" [130 x 162 x 122 mm]	220 CFM 374 m³/h	5.5



WATERGUARD™ filtration

CE

11" In-Line Water Filters

WATERguard
FILTRATION



Whether under the sink, as an ice maker filter, or even connected to a garden hose. These easy-to-install and highly effective 11" In-Line filters are the perfect choice for marine or home use. Long-life water-washed coconut shell carbon eliminates odor and taste and reduces chlorine.

Name	Model # OEM/Aftermarket	Chlorine Reduction	Filters Up To Gallons/Liters	Flow Rate (maximum)	Pressure Minimum/Maximum	Filter Size and Fitting
2.5"x11" In-Line Filter [64 x 279 mm]	RV-210BRB-A	95%	6000 [27000 L]	2.5 GPM [9.5 LPM]	20/125 PSI [1.38/8.62 BAR]	11" [279 mm] Filter, 1/2" [13 mm] Barb Ends

TRANSFER pumpsystem

CE

Ureanator - AdBlue™



The Ureanator dispensing system for AdBlue is based on a SHURflo positive-displacement pump with co-moulded diaphragm that is urea resistant, self-priming, can run dry without damage and achieves 27 l/min flow with low amp draw. The 12VDC option is equipped with a 3.5 meter power cord and battery clips for maximum flexibility. The system uses a CDS1 connector at the suction side to connect to IBC containers or drums. The dispensing nozzle has a 19 mm spout that is compatible with vehicle storage tank inlets.

Part Number	Description	Power Supply	Current (Amps)	Weight +/- kg	Flow (l/min)
SF-1100-12	Dispensing system & Flowmeter	12 VDC	15	12	27
SF-1101-12	Dispensing system	12 VDC	15	11	27
SF-1100-230	Dispensing system & Flowmeter	230 VAC	1.1	12	27
SF-1101-230	Dispensing system	230 VAC	1.1	11	27

GEAR



CE

pumps

Self-priming, positive displacement, external rotary gear pumps operate bi-directionally (reversible) and are ideal for a wide range of marine applications. They provide a nearly pulseless flow when non-abrasive and non-particulated fluids are pumped. Flow rates up to 90 LPM, pressures up to 13.7 bar, fluid temperatures up to 204° C and capability for viscosities up to 100,000 SSU. Three materials of construction offered: 316 Stainless Steel can be specified for pumping clean, hard-to-transfer, high-temperature and/or highly-corrosive liquids; cast iron and bronze meet the requirements of transferring a broad range of non-abrasive fluids, including oil and water-based fluids, respectively.

WATER system accessories

Water Systems Accessories

Designed for safety and convenience, SHURflo accessories are built to last. From a variety of innovative debris strainers that protect your pump, to check valves and spray nozzles. Big protection from small, yet essential products.

Name	Model # OEM/Aftermarket	Description	Designation
Twist-On Water Strainer	255-223 255-323	Easy Assembly. Keeps debris out of pump. Transparent, easy to see when strainer needs cleaning. 50 mesh stainless steel screen	1/2" [13 mm] Barb Inlet
Twist-On Water Strainer (A)	255-213 255-313	Easy Assembly. Keeps debris out of pump. Transparent, easy to see when strainer needs cleaning. 50 mesh stainless steel screen	1/2" [13 mm] Pipe Inlet
Swivel Nut Strainer	255-215 255-315	Easy Assembly. Keeps debris out of pump. Transparent, easy to see when strainer needs cleaning. 50 mesh stainless steel screen	1/2" [13 mm] Pipe Inlet
Swivel Nut Strainer (B)	255-225 255-325	Easy Assembly. Keeps debris out of pump. Transparent, easy to see when strainer needs cleaning. 50 mesh stainless steel screen	1/2" [13 mm] Barb Inlet
In-Line Check Valve (C)	340-000 340-001	Allows flow in one direction only to safeguard against backsurge up to 100 PSI [6.8 BAR]	1/2" Barb
High Pressure Blaster Nozzle (D)	15-010 94-010-00	High impact plastic for long life. Use with SHURflo pumps or garden hose. Adjusts to fine mist or full stream. Lock clip for continuous spray	3/4" Garden Hose thread

CE



Pre-Pressurized Accumulator Tanks

Reduce cycling pulsation and pressure spikes, increase the life of your pump — and even save battery power. SHURflo accumulator tanks are NSF certified. Easily handles pressure requirements from 1.4 bar to 8.8 bar.

Name	Model # OEM/Aftermarket	Dimensions	Total Volume	Maximum PSI	Precharged
24 oz. Nylon Tank (A)	182-102	9.1" x 4.8" x 3.8"	24 oz.	125 PSI	20 PSI
	182-202	[232 x 121 x 97 mm]	[710 ml]	[8.8 BAR]	[1.4 BAR]
24 oz. Nylon Tank (A)	182-100	9.1" x 4.8" x 3.8"	24 oz.	125 PSI	30 PSI
	182-200	[232 x 121 x 97 mm]	[710 ml]	[8.8 BAR]	[2.1 BAR]
2 gallon stainless Steel Tank (B)	3400-002 3400-002	12" H, 9" D [306 mm H, 230 mm D]	2 Gallons [7.6 l]	100 PSI [7.03 BAR]	20 PSI [1.4 BAR]

CE

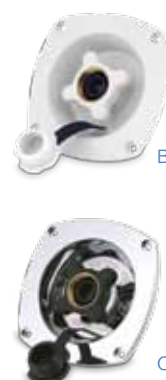


Pressure Regulated City Water Entries

An exclusive diaphragm design prevents high-pressure damage often caused by city water systems. Leak-tight, stress and crack-resistant, these high-performance water entries limit water pressure safely while meeting or surpassing all check valve code requirements.

Name	50 PSI (3.5 BAR) Aftermarket	Color	
In-Line Pressure Regulator (A)	183-039-01	Cream	
Wall Mount Pressure Regulator (B)	183-029-01	Cream	
Wall Mount Pressure Regulator (C)	183-029-04	Chrome	
Wall Mount Pressure Regulator (B)	183-029-08	Gel White	

CE



PUMP

fittings

CE Straight Fittings



Model # Straight Fittings	Style *Pictured	Material	Description
234-2946	Wingnut Swivel	Polypropylene	1/2" - NPT (F) x 3/4" Barb (19 mm)
234-2926	Wingnut Swivel	Polypropylene	1/2" - NPT (F) x 1/2" Barb (13 mm)
234-2916	Wingnut Swivel	Polypropylene	1/2" - NPT (F) x 3/8" Barb (10 mm)
244-5126	Hexnut	Nylon	1/2" - NPT (F) x 1/2" Barb (13 mm)

CE Elbow Fittings



Model # Elbow Fittings	Style *Pictured	Material	Description
244-6126	Wingnut Swivel	Nylon	1/2" - NPT (F) x 1/2" Barb (13 mm)
244-3366	Wingnut Swivel	Nylon	1/2" - NPT (F) x 1/2" NPT (M)
244-3926	Wingnut Swivel	Nylon	1/2" - NPT (F) x 1/2" Barb (13 mm)
244-3916	Wingnut Swivel	Nylon	1/2" - NPT (F) x 3/8" Barb (10 mm)
234-3916	Wingnut Swivel	Polypropylene	1/2" - NPT (F) x 3/8" Barb (10 mm)
234-3926	Wingnut Swivel	Polypropylene	1/2" - NPT (F) x 1/2" Barb (13 mm)
234-3936	Wingnut Swivel	Polypropylene	1/2" - NPT (F) x 3/4" Barb (19 mm)

CE Garden Hose Wingnut Fitting



Model # Tee Fittings	Style	Material	Description
244-2356	Wingnut Swivel	Nylon	3/4" GHT (M) x 1/2" NPT (F)

Swivel Straight Fitting Adapter

CE

Model # Tee Fittings	Style	Material	Description
244-2866	Wingnut Swivel (Pump/Accumulator Fitting)	Nylon	1/2" NPT (F) x 1/2" NPT (F)



Tee Fittings

CE

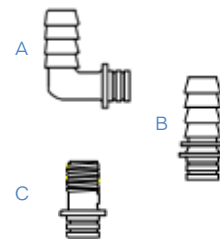
Model # Tee Fittings	Style	Material	Description
244-4522	Barb Tee	Polypropylene	1/2" Barb x 1/2" Barb x 1/2" Barb



Extreme™ Series Smart Sensor™ 5.7 - Fitting Kits

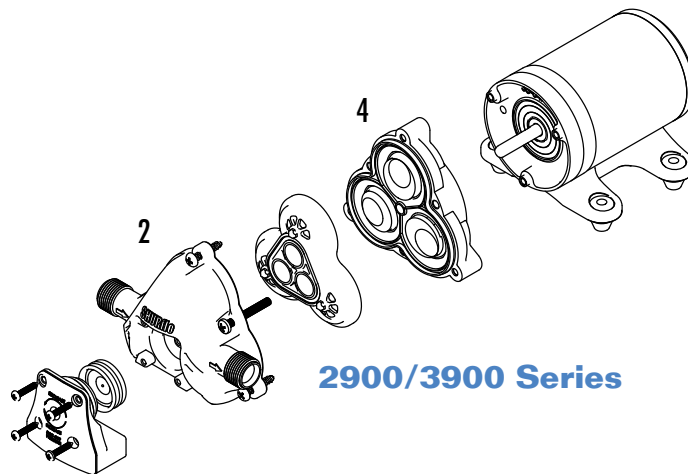
CE

Model #	Style	Content	Description
94-615-00 (A)	Elbow	2 x elbow fittings, 4 x O-rings, 2 x retainer clips and grease	1/2" Barb (13 mm)
94-615-01 (B)	Straight	2 x straight fittings, 4 x O-rings, 2 x retainer clips and grease	1/2" Barb (13 mm)
94-615-05 (A)	Elbow	2 x elbow fittings, 4 x O-rings, 2 x retainer clips and grease	3/4" Barb (19 mm)
94-615-04 (B)	Straight	2 x straight fittings, 4 x O-rings, 2 x retainer clips and grease	3/4" Barb (19 mm)
94-615-06 (C)	Straight	2 x straight fittings, 4 x O-rings, 2 x retainer clips and grease	1/2" NPT (M)



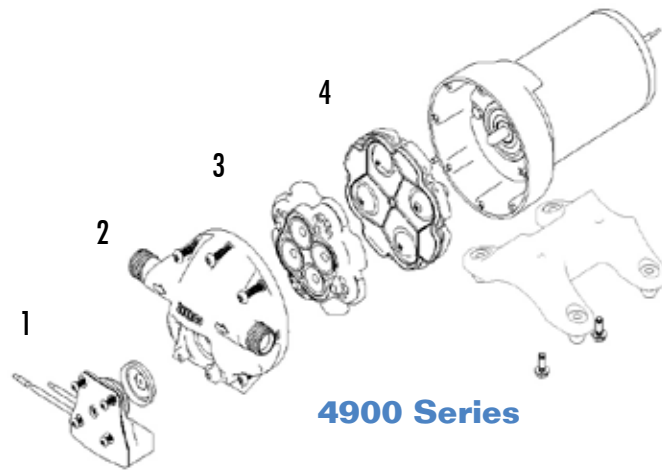
PUMP REPAIR & rebuild kits

SHURflo pumps have set the standard for marine performance and reliability. To keep that performance and reliability at its peak, SHURflo offers a wide range of kits for bench and field repair of its products. For detailed listings of individual part numbers, refer to SHURflo pricing guides and repair manuals. This overview indicates the types of kits available.



2900 / 3900 Series

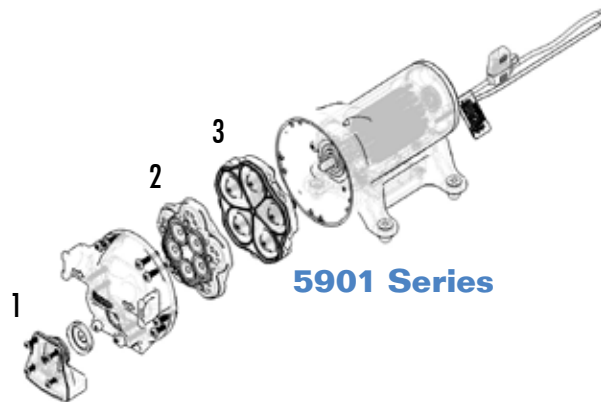
Name	Model # OEM/Aftermarket	Switch	Upper Housing	Valve Assembly	Drive Assembly
Aqua King™ Standard 12 V 30 PSI (2.1 bar)	3901-0203	94-706-04	94-706-01	94-706-02	94-706-06
	3901-0213	94-706-04	94-706-01	94-706-02	94-706-06
Aqua King™ Standard 24 V 30 PSI (2.1 bar)	3901-1203	94-706-04	94-706-01	94-706-02	94-706-06
	3901-1213	94-706-04	94-706-01	94-706-02	94-706-06
Aqua King™ Standard 12 V 45 PSI (3.1 bar)	3901-0204	94-706-04	94-706-01	94-706-02	94-706-06
	3901-0214	94-706-04	94-706-01	94-706-02	94-706-06
Aqua King™ Standard 24 V 45 PSI (3.1 bar)	3901-1204	94-706-04	94-706-01	94-706-02	94-706-06
	3901-1214	94-706-04	94-706-01	94-706-02	94-706-06
Blaster™ 12 V 45 PSI (3.1 bar)	3901-2204	94-706-04	94-706-01	94-706-02	94-706-06
	3901-2214	94-706-04	94-706-01	94-706-02	94-706-06
Blaster™ 24 V 45 PSI (3.1 bar)	3901-3204	94-706-04	94-706-01	94-706-02	94-706-06
	3901-3214	94-706-04	94-706-01	94-706-02	94-706-06
Pro Blaster™ Junior 30 PSI (2.1 bar)	2901-6203	94-706-00	94-706-01	94-706-02	94-706-06
	2901-6213	94-706-00	94-706-01	94-706-02	94-706-06
Aqua King™ Junior 12 V 30 PSI (2.1 bar)	2901-0203	94-706-00	94-706-01	94-706-02	94-706-06
	2901-0213	94-706-00	94-706-01	94-706-02	94-706-06
Aqua King™ Junior 12 V 20 PSI (1.4 bar)	2901-0202	94-706-05	94-706-01	94-706-02	94-706-06
	2901-0212	94-706-05	94-706-01	94-706-02	94-706-06



4900 Series

4900 Series

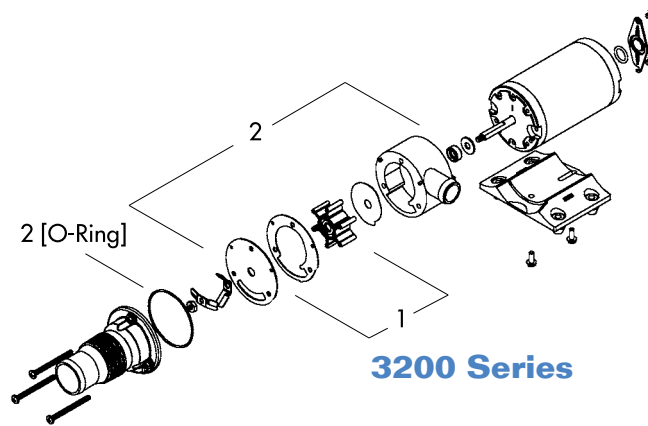
Name	Model # OEM/Aftermarket	Switch	Upper Housing	Valve Assembly	Drive Assembly
		1	2	3	4
Aqua King™ Premium 45 PSI (3.1 bar)	4901-4202	94-668-00	94-670-01	94-669-00	94-670-00
	4901-4212	94-668-00	94-670-01	94-669-00	94-670-00
Aqua King™ Premium 30 PSI (2.1 bar)	4901-4205	94-668-01	94-670-01	94-669-00	94-670-00
	4901-4215	94-668-01	94-670-01	94-669-00	94-670-00
Pro Blaster™	4901-4292	94-668-00	94-670-01	94-669-00	94-670-00
	4901-4282	94-668-00	94-670-01	94-669-00	94-670-00
Pro Blaster™ 24 VDC	4901-5292	94-668-00	94-670-01	94-669-00	94-670-00
	4901-5282	94-668-00	94-670-01	94-669-00	94-670-00
Smart Sensor™ 4.0 12 VDC	4901-0201	—	94-670-01	94-669-00	94-670-00
	4901-0211	—	94-670-01	94-669-00	94-670-00
Smart Sensor™ 4.0 24 VDC	4901-1201	—	94-670-01	94-669-00	94-670-00
	4901-1211	—	94-670-01	94-669-00	94-670-00



5901 Series

5901 Series

Name	Model # OEM/Aftermarket	Switch	Valve Assembly	Drive Assembly
		1	2	3
Smart Sensor™ 5.7 12 VDC	5901-0201	—	94-030-01	94-030-02
	5901-0211	—	94-030-01	94-030-02
Smart Sensor™ 5.7 24 VDC	5901-1201	—	94-030-01	94-030-02
	5901-1211	—	94-030-01	94-030-02
Extreme™ ProBlaster™ 12 VDC	5901-2202	94-069-00	94-030-01	94-030-02
	5901-2212	94-069-00	94-030-01	94-030-02
Extreme™ ProBlaster™ 24 VDC	5901-3202	94-069-00	94-030-01	94-030-02
	5901-3212	94-069-00	94-030-01	94-030-02
Extreme™ ProBlaster™ 32 VDC	5901-4202	94-069-00	94-030-01	94-030-02
	5901-4212	94-069-00	94-030-01	94-030-02



3200 Series Macerator Pumps

Name	Model # OEM/Aftermarket	Impeller Kit 1	Impeller Housing Kit 2
Macerator 12 VDC	3200-000	94-571-00	94-570-00
	3200-001	94-571-00	94-570-00
Macerator 12 VDC 180 Degree Port	3200-100	94-571-00	94-570-00
	3200-101	94-571-00	94-570-00
Macerator 24 VDC	3200-010	94-571-00	94-570-00
	3200-011	94-571-00	94-570-00
Macerator 24 VDC 180 Degree Port	3200-110	94-571-00	94-570-00

The Impeller Kit Includes: Impeller and Gasket.

The Pump Head Kit Includes: O-Ring, Top Wear Plate, Gasket, Impeller, Bottom Wear Plate, Impeller Housing, Shaft Seal and Slinger.

INSTALLATION guidelines

Bilge Pumps

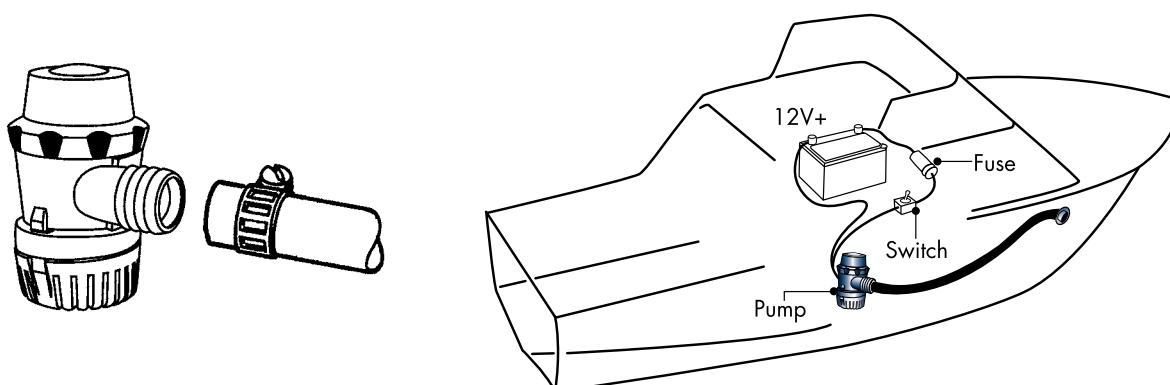
Recommended mounting: attach base to hull or stringer using stainless steel screws. Snap pump into base. The baseplate and/or cartridge may be easily removed for easy cleaning.

CAUTION: Care must be taken not to drive the screws through the hull. Be sure pump is mounted on a flat surface, as low as possible in the bilge.

Attach 3/4" [19 mm] (24, 31.5 & 44.1 L/MIN) or 1 1/8" [29mm] (63 L/MIN) I.D. smooth bore hose. Use of a smooth bore hose will insure maximum pump performance. Corrugated hose will significantly reduce pump performance. Route discharge hose to a thru-hull fitting well above the water line. Avoid any sagging or loops in the hose. Vertical lift over 3' [1 m] significantly reduces output performance. Be sure to check clamp tightness at pump and thru-hull fittings.

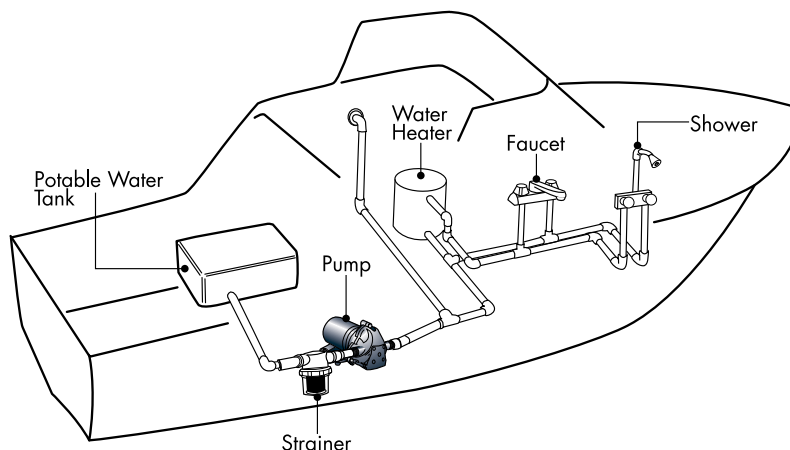
The 6' (2 m) wire assembly allows electrical connections to be made as far away as possible from the bilge area.

CAUTION: Do not use open flame in the bilge area. Refer to Full Line Application and Specification Chart for individual pump recommended wire and fuse sizes.



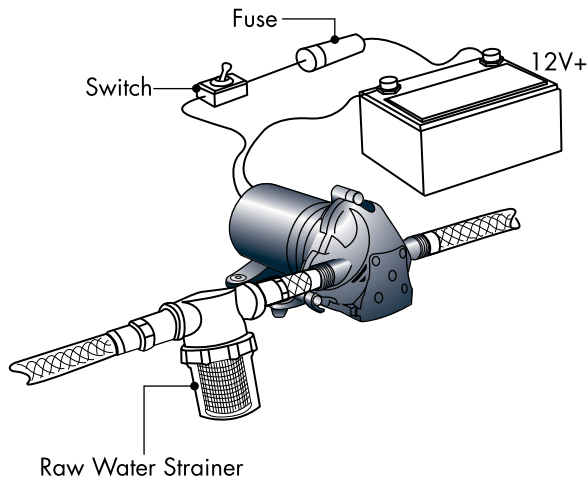
Fresh Water Multi-Fixture Systems

The pump may be mounted up to six vertical feet above the source. Wiring should be switched as well as fused with the recommended size fuse. Inlet side of all fresh water pumps should include the use of a SHURflo strainer. Mount the pump in an accessible area for a strainer inspection. Refer to Application and Specification Chart for individual pump recommended wire and fuse sizes.



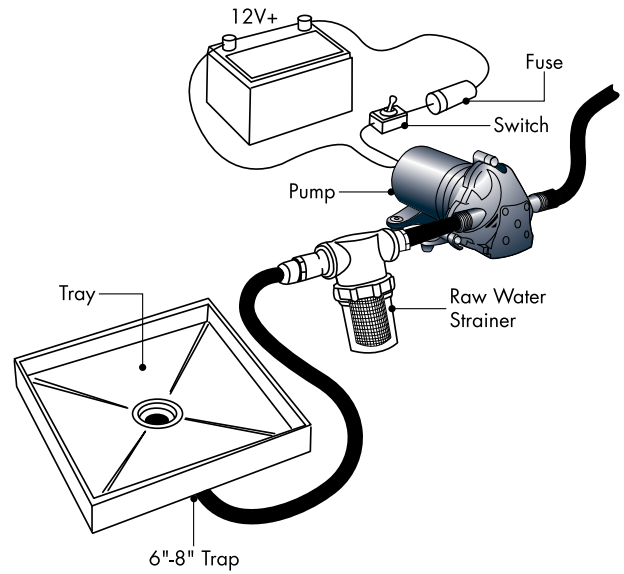
Washdown Systems

For washdown systems using the Blaster™, SHURflo recommends marine approved reinforced hose. For optimum performance, an inlet SHURflo Raw Water Strainer is required. Use of the supplied hose nozzle will insure high pressure delivery. Refer to Full Line Application and Specification Chart for individual pump recommended wire and fuse sizes.



Shower Sump Systems

The standard 3900 model can be used for shower sump applications. The sump tray should employ a 6" - 8" (15 - 20 cm) trap with adequate strainer capability. Use a SHURflo Raw Water Strainer on the inlet side of the pump, mounted in an easy access location for inspection.



GENERAL

notes

This brief installation guide for SHURflo pump systems will answer the most often encountered questions about basic marine plumbing systems. Additional more detailed information is available through technical data sheets from SHURflo, as well as the installation instruction sheets provided with each product.

For more information, contact your SHURflo representative or SHURflo customer service.

General Notes

- All SHURflo marine water pumps are ignition protected.
- In order to minimize heat rise, continuously operating pumps other than bilge pumps should be mounted in well ventilated spaces.
- SHURflo diaphragm pumps will operate in any position; however, the recommended position is motor up/pumphead down to prevent any possible water damage to the motor in the event of a leak during setup or operation. Mount on a solid surface to reduce noise and vibration.
- SHURflo offers a variety of barbed and threaded fittings in straights and elbows from sizes 3/8" to 3/4."
- All SHURflo 1900, 2900, 3900, 4900 & 5900 with threaded pump ports are internally tapered, to be thoroughly hand-tightened only with SHURflo swivel fittings. They eliminate expensive brass or stainless fittings which require more complex plumbing.
- A safety sea-cock (thru-hull valve) is required for any installation using a thru-hull water source.
- In accordance with American Boat and Yacht Council (ABYC) guidelines, the recommended placement for all diaphragm pumps plumbed to a thru-hull fitting is above the waterline.
- The self-priming feature of SHURflo diaphragm pumps allows them to be mounted any distance up to 30 feet [9.2m] horizontal from on-board water supplies, insuring easy access to plumbing connections and strainers, maximizing reduction of noise or vibration and minimizing exposure to splashed water.
- All SHURflo pumps are engineered with rubber mounting feet to minimize noise and vibration and will function properly only if proper fasteners are used to snug down (not flatten) the feet. Flexible inlet and outlet plumbing (such as reinforced hose), is critical to lower pump noise level and increase pump life.
- SHURflo recommends that all pumps be fused individually, in addition to any other circuit protection used such as circuit breakers.
- Waterguard™ filters are great for RV, Marine and Home applications. The filter may be installed in any convenient location. Be sure to keep the filter away from any heat source. All filters should be replaced seasonally (6-12 months) or when taste and odor problems return.
- Pentair reserves the right to change products and prices without prior notice. Pentair standard terms, conditions and warranty apply without exception. The Pentair Warranty is limited to the repair or replacement of a defective product or to the issue of a credit note for the amount invoiced to the Purchaser, if warranty claim is judged necessary by Pentair, without any further obligation whatsoever. Pentair shall not be liable for any special, indirect or consequential damages. The Purchaser must test the Product to confirm that it performs as required in their application. The Pentair Warranty is not an express or implied warranty of merchantability or of fitness for a particular purpose

Wire Size Requirements [Based on 10 Amps; 10% voltage drop]

Battery-to-pump distance	Wire
0-10 feet / 0-3 m	1.5 mm ²
10-30 feet / 3-9 m	2.5 mm ²
30-40 feet / 9-12 m	4 mm ²
40-50 feet / 12-15 m	6 mm ²

Plumbing Guidelines [for long life and low noise]

SHURflo Fittings	Hand tighten only.
Feet	Snug, don't flatten; solid surface
Pump/Hose	Flexible hose on inlet and outlet side of pump. 1/2" minimum on mains, 3/8" minimum on branch.
Water Purifier	Run Separate line from mains. 1/4" minimum recommended
Noise Reduction	Use flexible hose. Check for air in system, including all drain lines and hot water heater lines



SHURflo[®]
Pentair Water



*ISO 9001:2000 Registered Site



Pentair Water Belgium bvba
Industriepark Wolfstee, Toekomstlaan 30
B-2200 Herentals, Belgium
Phone 32-14-283501/2 Fax 32-14-283505

shurflo@pentair.com
www.shurflo.com

www.shurflo.com