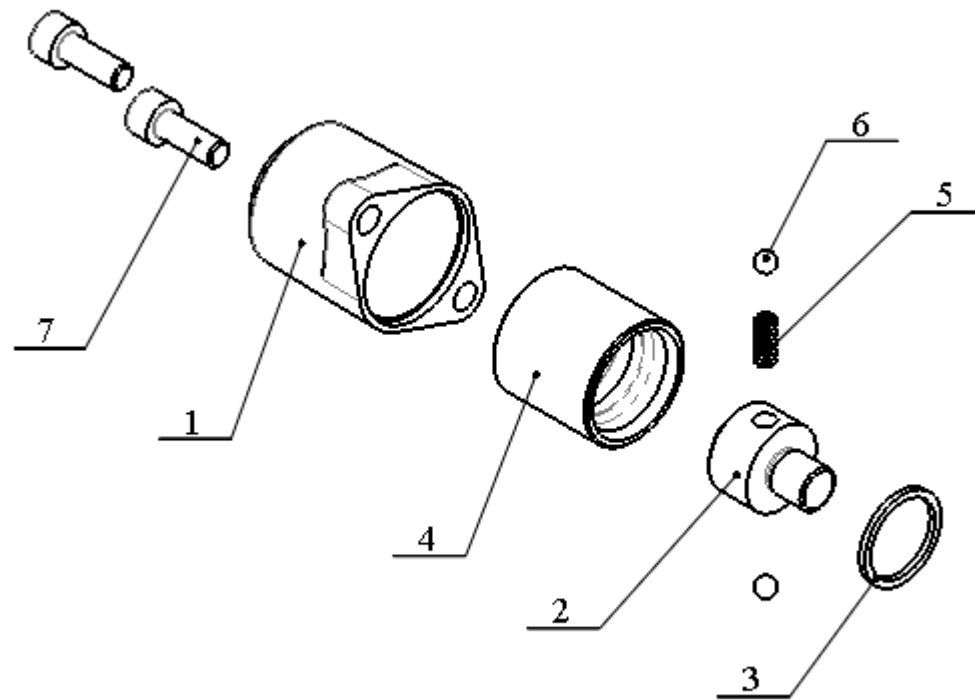
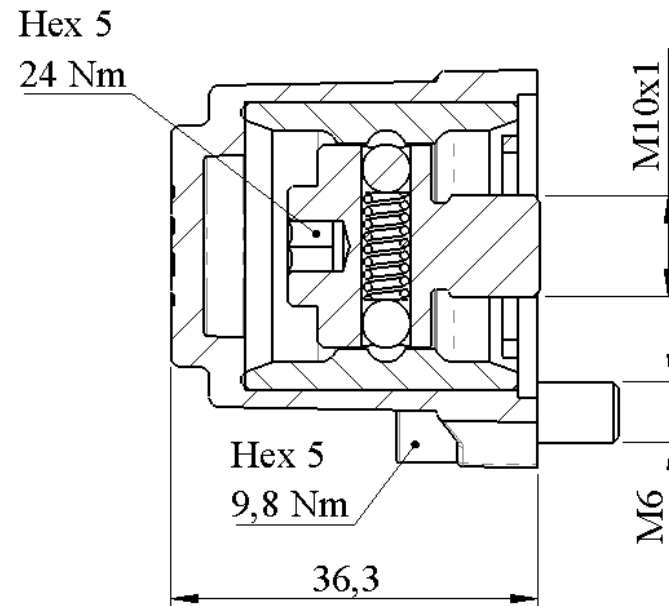


Spool positioner 8 /P80 (Z80)



Pos.	Description	Part no	Qty.
1	End cap	4110904	1
2	Detent screw 8	1000134	1
3	Washer 22x18.5x1.5	1000926	1
4	Detent sleeve 8	1000930	1
5	Detent spring	4110570	1
6	Steel ball D4.76	015353260 000000000	2
7	DIN912 M6x16-8,8	011743140 000000000	2