

HYDRAULIC CONTROL VALVES - VZ80 SERIES

CAST IRON (BODY) - EN-GJL300

1 ▶ 6 LEVER CONTROL BANKS

NOMINAL FLOW RATE - 80 LPM

MAX PRESSURE - P = 250 BAR, T = 50 BAR, A / B = 300 BAR

SPOOL STROKE : ±7 MM

OPERATING TEMPERATURE (°C) : -40°C ▶ +60°C

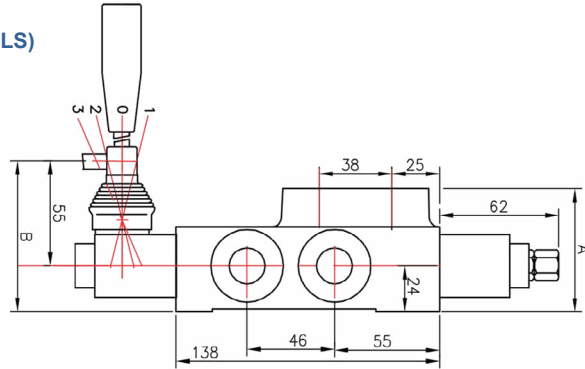
SPOOL LEAKAGE @ 120 BAR = 18CM³ P/M

RELIEF VALVE SETTING: 180 BAR (250 BAR MAX')

MOUNTING : M8 BOLT SIZE (x3)

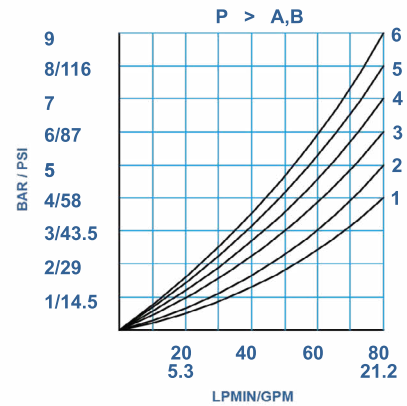
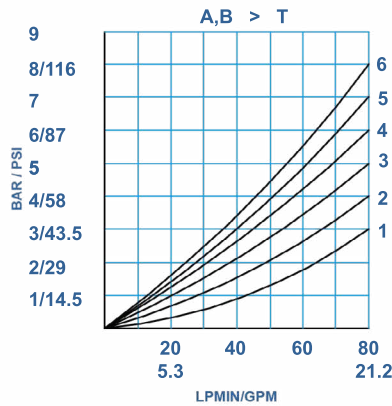
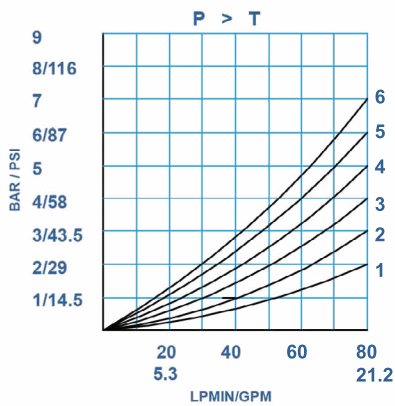
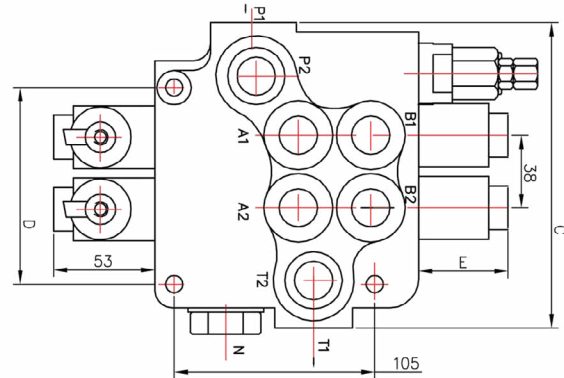
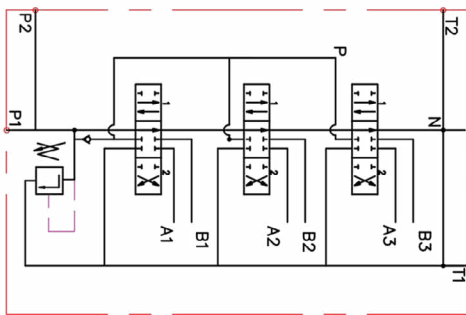
PX-80 HEAVY DUTY VERSION ON REQUEST (ENQUIRE FOR DETAILS)

Badestnost
hydraulic components

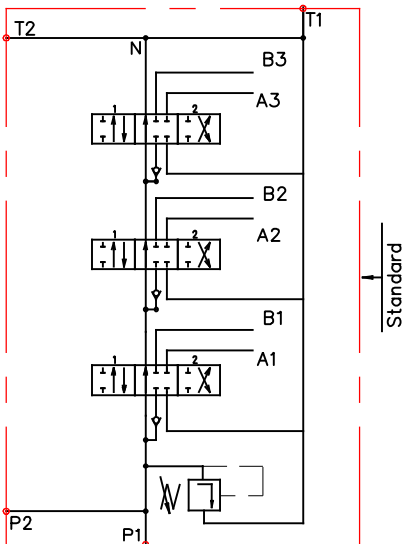
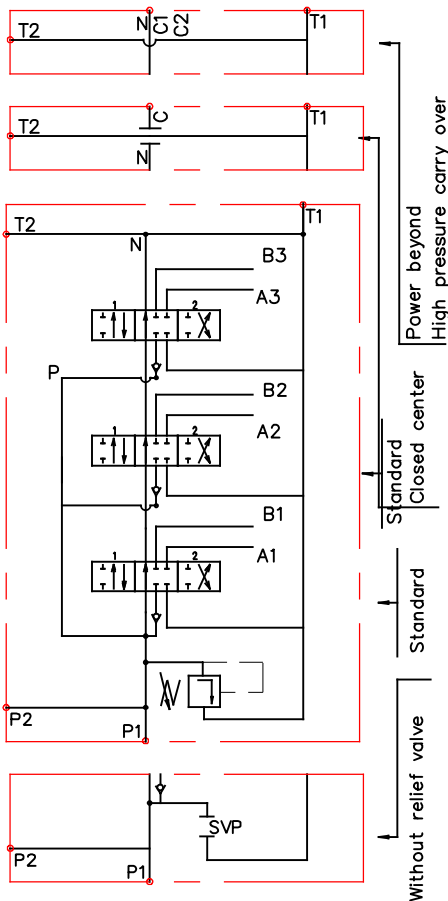


LEFT HAND CONFIGURATION (STANDARD)

STANDARD PARALLEL CONFIGURATION



ORDER CODE	VALVE TYPE	NUMBER OF SECTIONS	NOMINAL FLOW (lpm)	MAX OPERATING PRESSURES (bar)			A (mm)	B (mm)	C (mm)	D (mm)	E (mm)	F (mm)	PORT SIZES (bsp)						
				P	T	A - B							P	T	A - B	N			
JN81A1	P80	1	80	250	50	300	65	79	107	65	40	193	1/2"	3/4"	1/2"	3/4"			
JN82A1		2															160	103	225
JN83A1		3															236	17-	225
JN84A1		(274	21+	19'
JN 5A1)															312	255	193
JN86A1		6																	



code	Number of spools	code	way of distribution
	1	1	parallel
2	2	2	tandem(series parallel)
3	3		

ets.

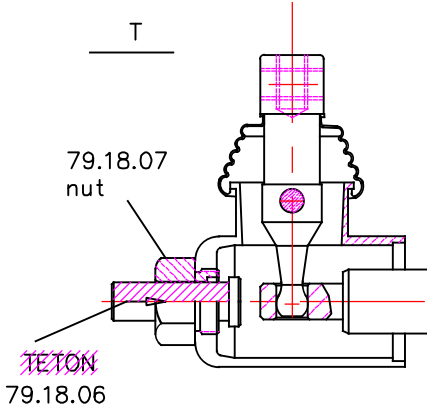
code	spool type
A	
B	
C	
D	
E	
F	
G	
H	
M	
N	
O	
P	
Q	
R	
S	
T	
L	

code	spool control
1	
2	
3	
4	
5	
6	
7	
8	
9	
10	
11	
12	
13	

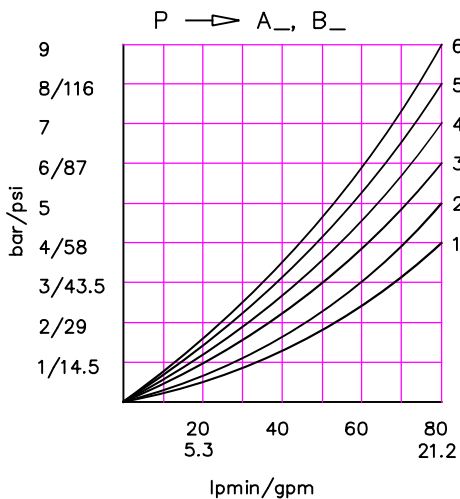
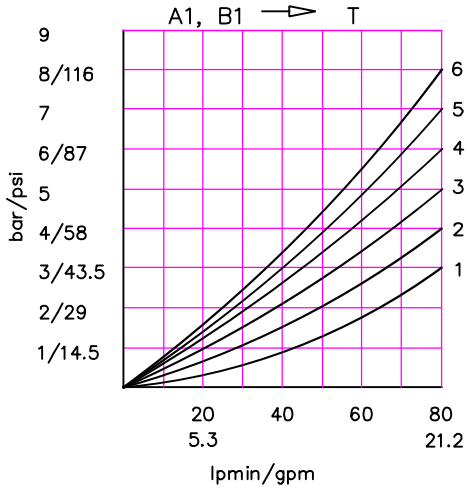
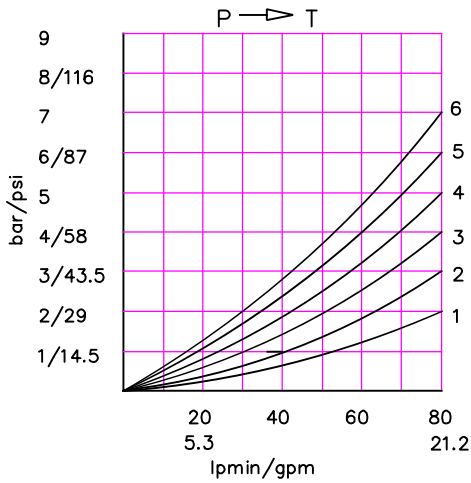
code	incorporated microswitch	
E		mikroswitch type Omron-V 165 I C5

Table 8

code	operation feature	
P		on-off pneumatic control; 5-10 bar ; ports G1/4
H		on-off hydraulic control ; pn = 5 - 20 bar ; ports G1/4



P80 directional control valve



P80

code	ports (threads)			
	P	A ; B	T	N
M	M22x1.5	M22x1.5	M26x1.5	M26x1.5
G	G1/2	G1/2	G3/4	G3/4
S	7/8-14UNF	7/8-14UNF	1 1/16-14UNF	1 1/16-14UNF

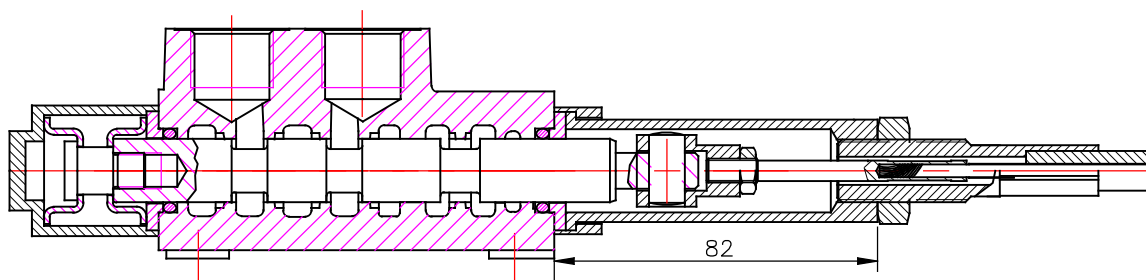
kind of hand control

code	feature	code	feature	code	feature
KZ		KY		KI	
KZ1		KY1		KI1	
KZ0		KY0		KI0	
KZ01		KY01		KI01	
_ without hand control					

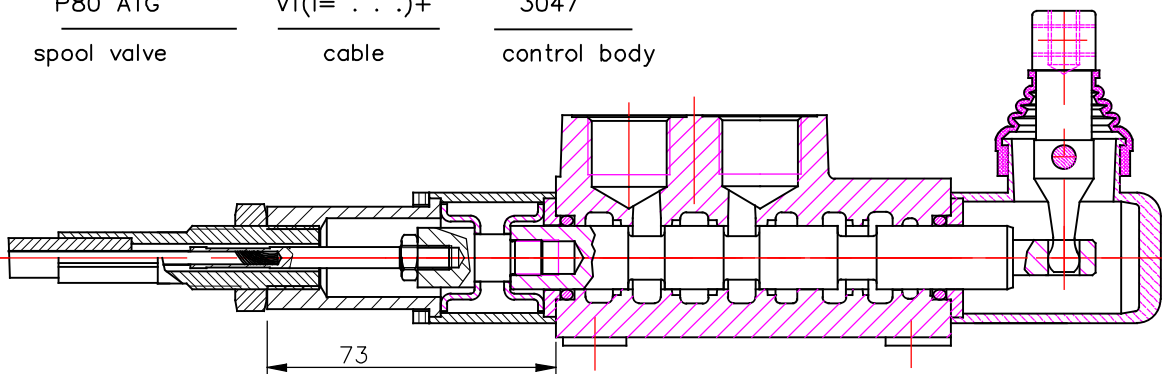
code		
C	closed center	
C2	part for power beyond sleeve(carry over)	G 1/2 M22x1.5
-	without part for pressure carry over	
X	power beyond ever to tank	

code	used connection ports
11	P1 ; T1
12	P1 ; T2
21	P2 ; T1
22	P2 ; T2

REMOTE CONTROLS



P80 A1G V1(l= . . .)+ 3047
 spool valve cable control body



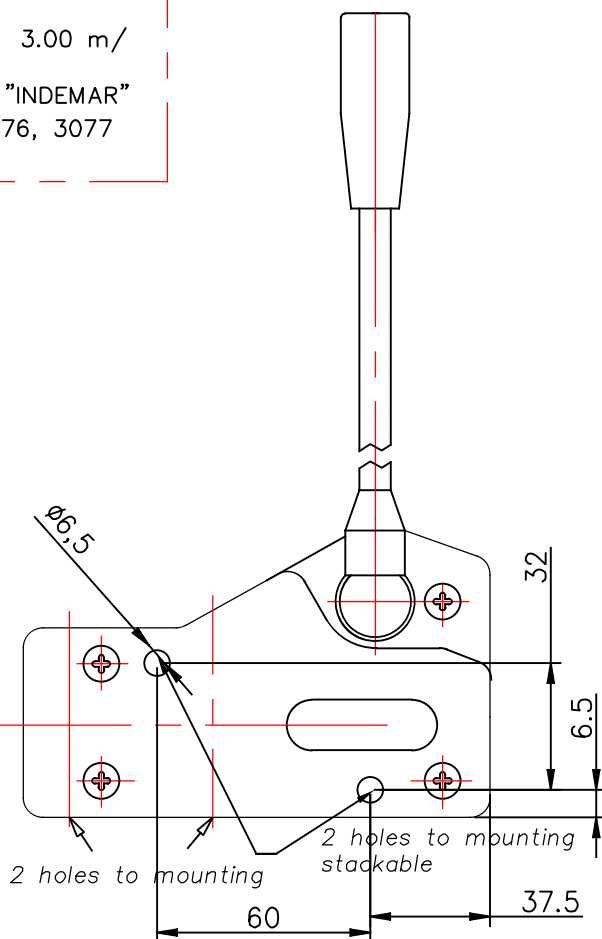
P80 A1G V2KZ1(l= . . .)+ 3047
 spool valve cable control body

Cable "INDEMAR" Cod. IT 3056 /l=1.00; 1.50; 2.00; 2.50; 3.00 m/
 +control body "INDEMAR"
 code 3047, 3076, 3077

Technical specifications

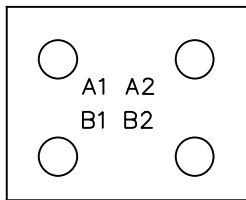
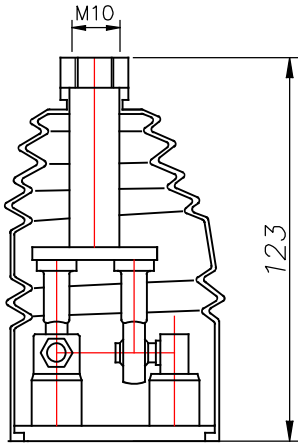
	3047	3076	3077
Stroke	13+13 mm	13+13 mm	13+13 mm
Max. load	45 kg	45 kg	45 kg
Level ratio	10:1	10:1	10:1
Lock in neutral	No	No	Yes
Antireverse lock	No	Yes	No
Body colour	Black	Black	Black
Cables type	Heavy Duty	Heavy Duty	Heavy Duty
Operating temperature	-40/+80C	-40/+80C	-40/+80C

High solidity controls for easy mounting on every type of distributor. They can be mounted stand alone or packed together. They use push-pull heavy duty cables that provide a positive smooth operating lever and are manufactured in a three different models to meet different needs of Clients.

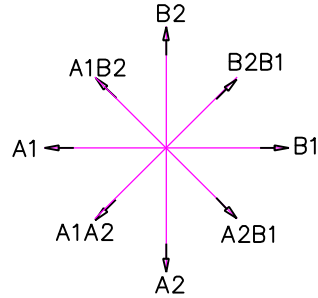
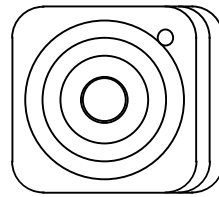


JOYSTICK "+"

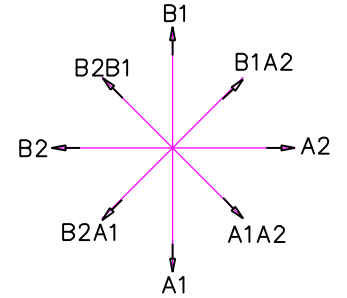
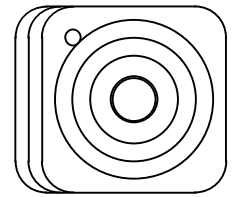
This control gives the possibility to operate, at the same time two spools with a "+" movement.



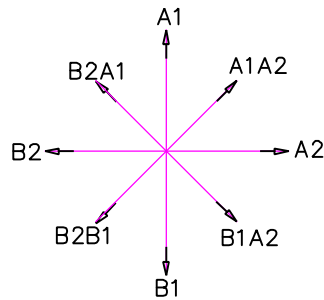
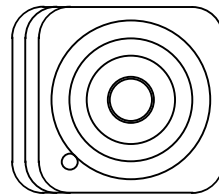
standard version 1



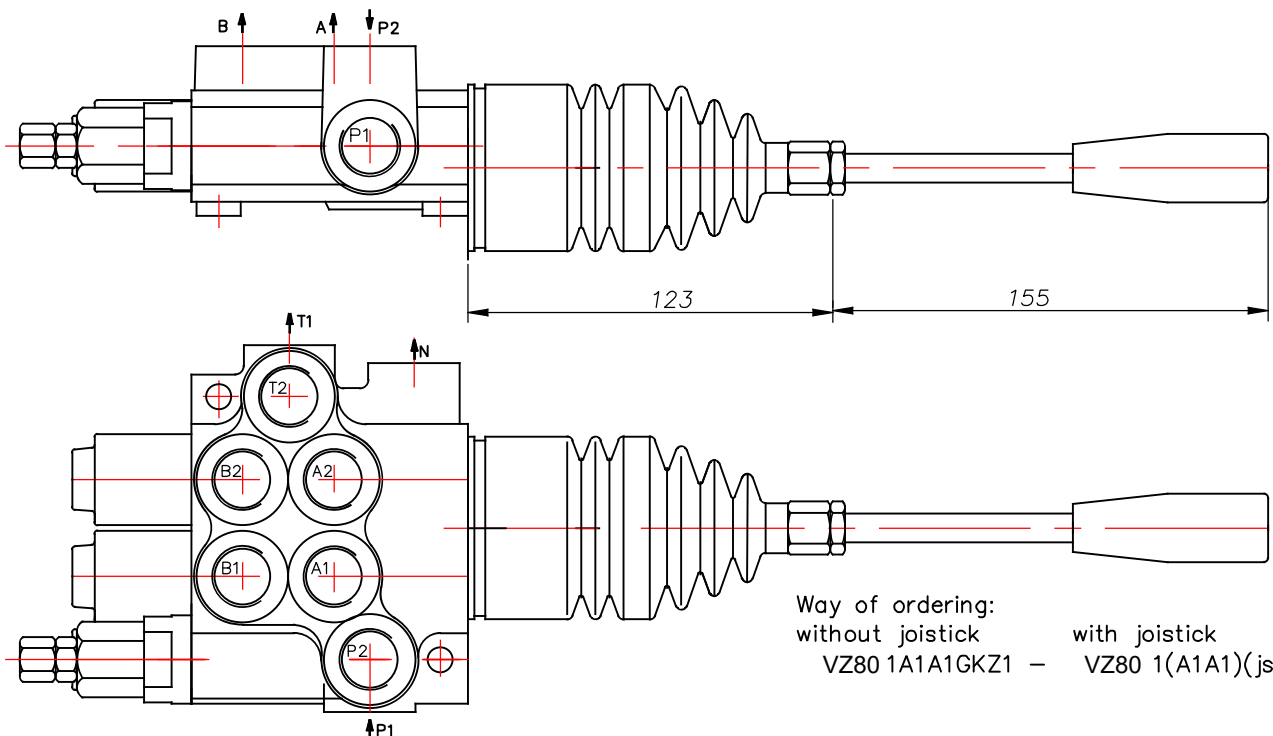
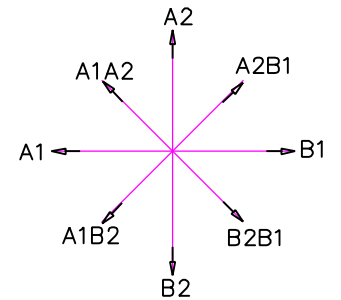
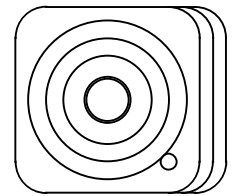
standard version 2



standard version 3



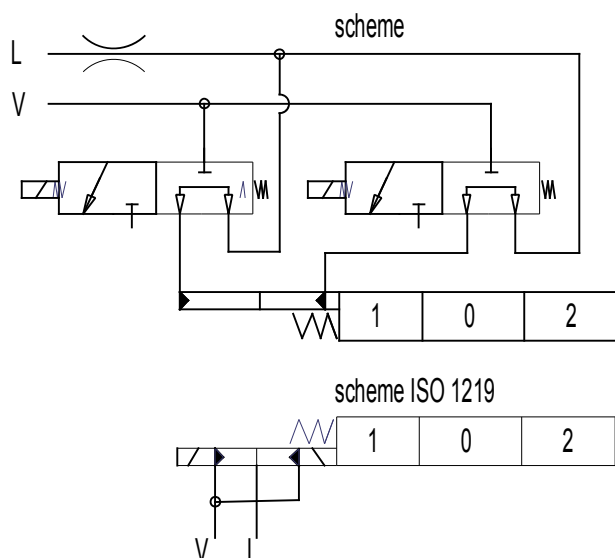
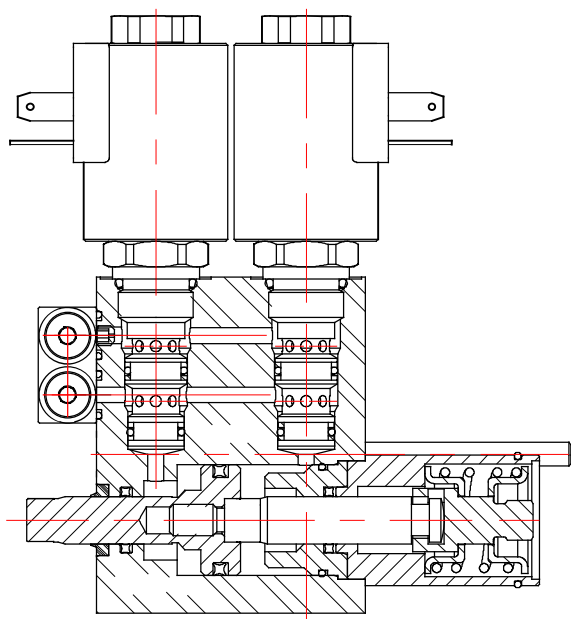
standard version 4



Way of ordering:
 without joystick VZ80 1A1A1GKZ1 - with joystick VZ80 1(A1A1)(js+3)G

directional control valve VZ80

ED3 – electro-hydraulic control ON-OFF



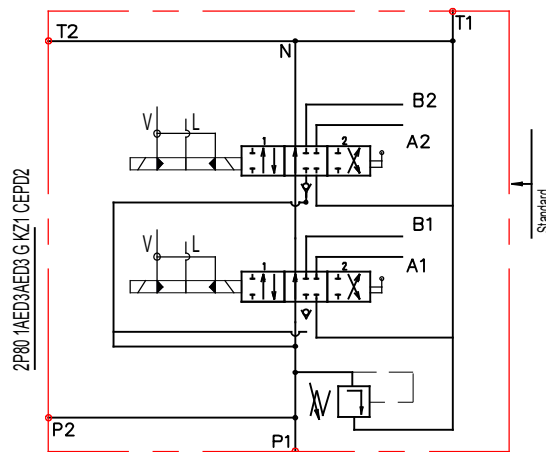
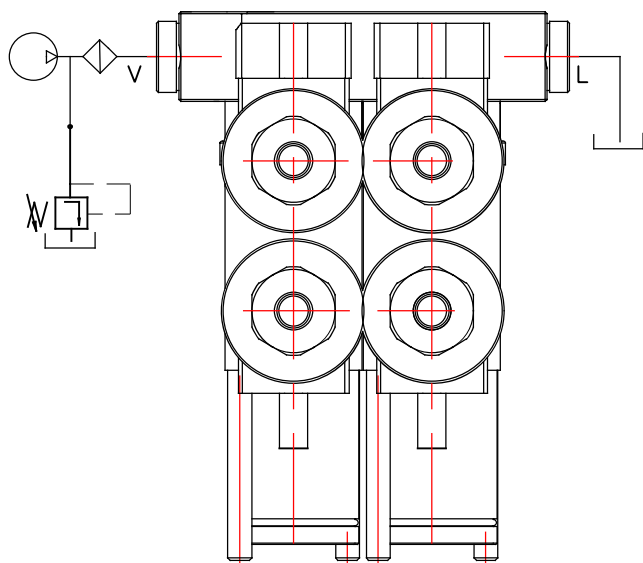
Ordering codes

3-wai solenoid valve-SV08-33
 coil P80ED3-G-12VDC
 coil P80ED3-G-24VDC

Operating pressure min 10 bar(145 psi)
 max 50 bar(725 psi)
 Max operating pressure in L (T line) 25 bar(360 psi)

Solenoid operating features
 Nominal voltage tolerance ±10%
 Power rating 24W
 Duty cycle 100 %

Collector kit for external pilot and drain – CEED...(1,2,3 ...)



Ordering example

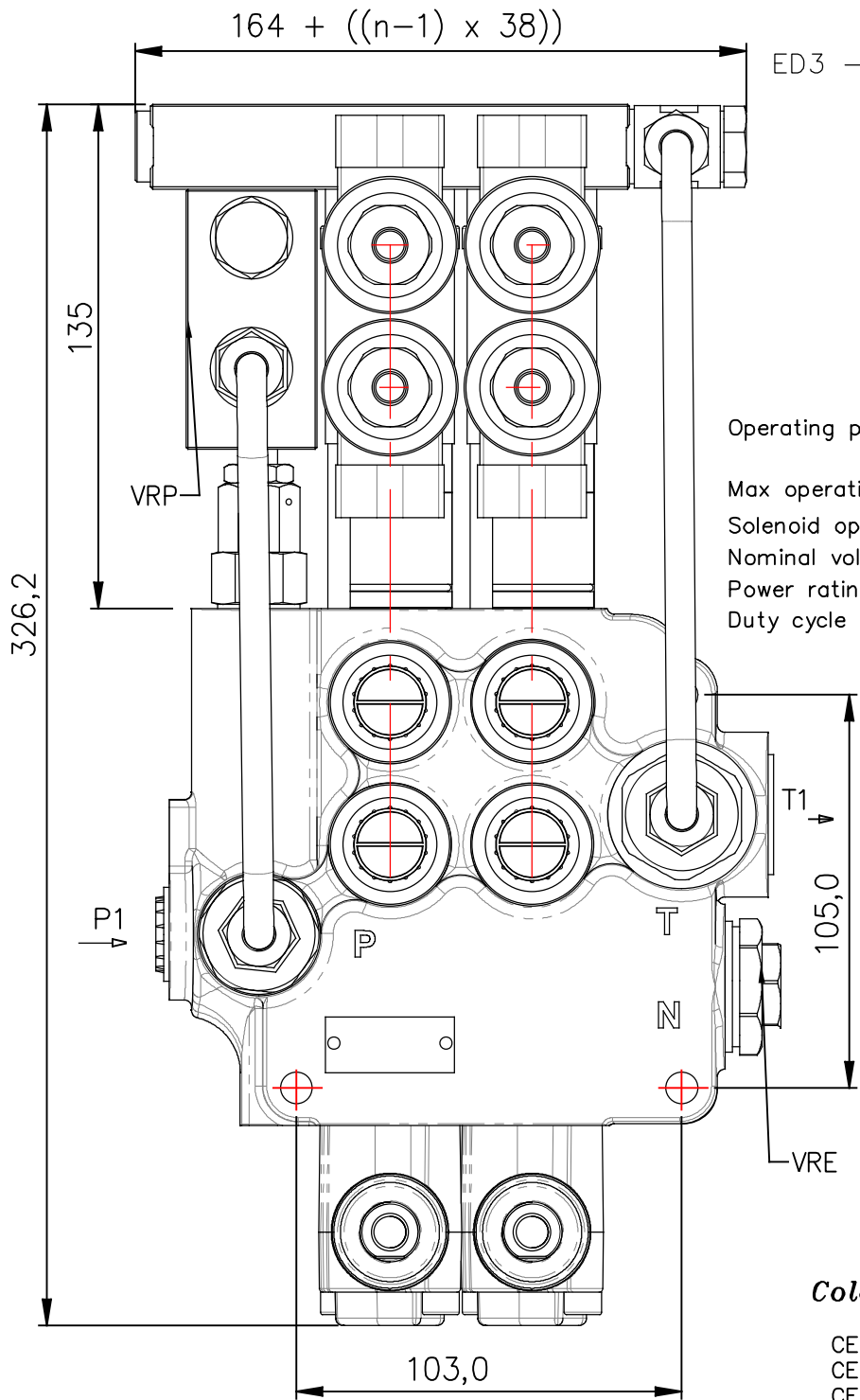
VZ80 1A1ED3A1ED3 G KZ1-CEED2-12VDC

Ordering codes (BSP threads)

CEED1P80	Kit for 1 section
CEED2P80	Kit for 2 section
CEED3P80	Kit for 3 section
CEED480	Kit for 4 sektion
...	

directional control valve VZ80

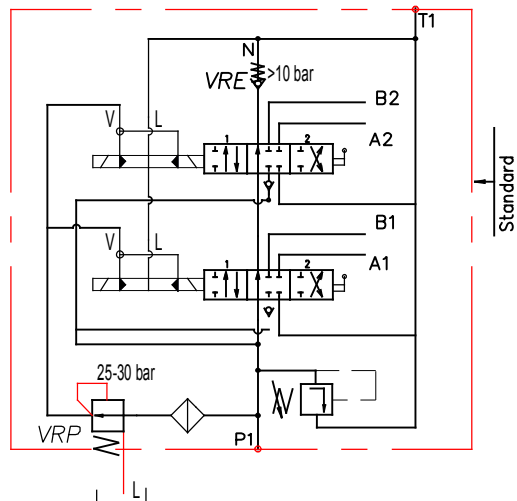
ED3 – electro-hydraulic control ON-OFF



Order codes

3-wai solenoid valve-LSV2-08-3C-NNN
 coil P40ED3-G-12VDC
 coil P40ED3-G-24VDC

Operating pressure min 10 bar(145 psi)
 max 50 bar(725 psi)
 Max operating pressure in L (T line) 25 bar(360 psi)
 Solenoid operating features
 Nominal voltage tolerance ±10%
 Power rating 24W
 Duty cycle 100 %



Ordering example

VZ80 VRP 1A1ED3A1ED3 G KZ1-CED2-VRE-12VDC

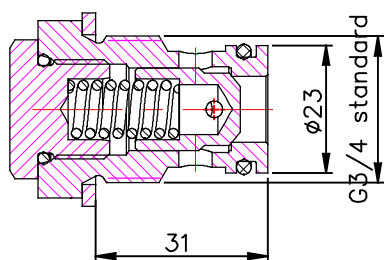
Colector kit

CED1Z80 *
 CED2P80
 CED3P80
 CED480

**Ordering codes
 BSP threads**

Kit for 1 section
 Kit for 2 section
 Kit for 3 section
 Kit for 4 sektion

Back pressure valve VRE-P80



Pressure drop N-T

