

2018
UK

VIME

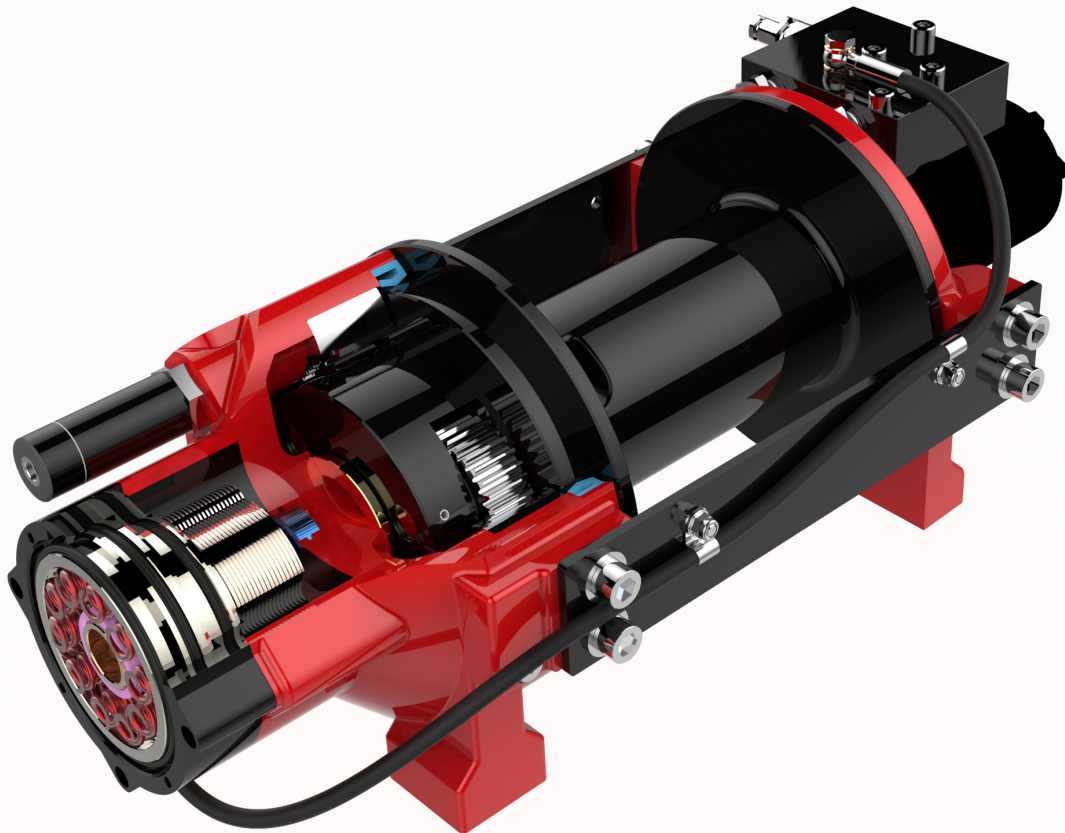
INDUSTRIAL
The Quality is Transparent



HYDRAULIC PLANETARY AND WORM GEAR WINCHES



WINCHES FOR PROFESSIONALS



V.I.M.E. srl Via Gramsci,15 40050 Funo Bologna Italy Tel. +39 051 861362 Fax +39 051 861961
E-mail: info@vimeindustrial.com / Web site: www.vimeindustrial.it - www.vimeindustrial.com

VIME

INDUSTRIAL
The Quality is Transparent

VIME has had a long-standing commitment to producing quality winches throughout its range. Year after year VIME winches have been at the forefront of technology and unequalled performance.

Nowadays more European and world industries rely on VIME winches for good performance and uncompromising quality they can offer.

Some operators prefer the heavy duty solid pulling power of a Worm Gear Winch. VIME has what they need from 2,2 to 30 tons capacities. Built with the highest quality our Worm Gear Winches have been the "Choice of Professionals" for over 40 years.

Other operators prefer the fast pay out and compact overall dimensions of a Planetary Gear Winch. VIME has what they need from 3,6 to 25 tons capacities. Built with the highest quality our Planetary Gear Winches claim a reliable brake who offer a smooth control of load.



SMART AND RELIABLE SOLUTION



Your needs guide our choices





TABLE OF CONTENTS

- EPH FN - Planetary winches [Pulling from 3,6 up to 6,7 Tons]
on pages : 1-2-3-4
- EPH FN - Planetary winches [Pulling from 10 up to 25 Tons]
on pages : 5-6-7-8-9-10
- JH - Worm gear winches [Pulling from 2,7 up to 3,6 Tons]
on pages : 11-12-13
- ZH - Worm gear winches [Pulling from 2,2 up to 3,0 Tons]
on pages : 14-15-16-17
- RH - Worm gear winches [Pulling from 4,4 up to 5,25 Tons]
on pages : 19-20-21
- MH - Worm gear winches [Pulling from 7,85 up to 8,0 Tons]
on page : 22
- WH - Worm gear winches [Pulling 15,0 Tons]
on page : 23
- NH-PH - Worm gear winches [Pulling from 20 up to 30 Tons]
on page : 24



EPH FN PLANETARY WINCHES

Model EPH FN are hydraulic planetary winches. Designed for extend life and give best safe duty. These winches are built according with higher safety standards in compliance with Directive Machinery 2006/42/CE Harmonized EN 14492-1. The high efficiency planetary gear train assure fast payout and rewind winching operational and the innovative brake system, make these winches reliable and great for industrial applications.



CE
EN 14492-1

EPH 3600FN

PULLING CAPACITY	3.600 Kgs	[8.000 Lbs]
WORKING PRESSURE	160 Bar	[2,321 Psi]
WIRE ROPE DIA.	10 mm	[- -]
MAX. ROPE CAPACITY	33 Mt	[108,3 Ft]
MAX. SPEED LINE (first layer)	14,8 Mt/Min	[48,6 Ft/Min]
MAX. OIL SUPPLY	60 Lt/Min	[15,85 GPM]

FEATURES

- COMPACT**
Hardened steel single stage planetary gear train
- FAST WINCHING SPEED**
Fast payout and rewind
- VERSATILE MOUNTING**
Designed for either foot or side mounting
- LIGHT AND STRONG**
Body manufactured from hardened, special aluminium castings reduced weight and increased strength
Powder coat finished
- MULTI-DISC PRESSURE RELEASED BRAKE**
Gives a reliable and effective full brake capacity
- DRUM SIZE AVAILABLE**
200 mm (7.9 inch) EPH 3600FN - EPH/C 4500
252 mm (9.9 inch) EPH/L 3600 FN - EPH 4500FN - EPH 5200FN - EPH 6200FN - EPH 6700FN
- TOTALLY OIL COOLED**
Gears and brake in oil bath for best performance, quiet operation and extended component life

ACCESSORIES :

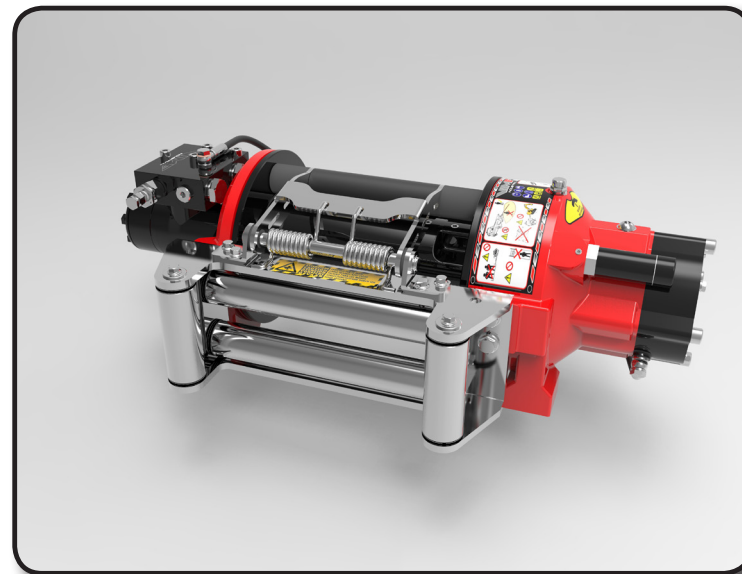
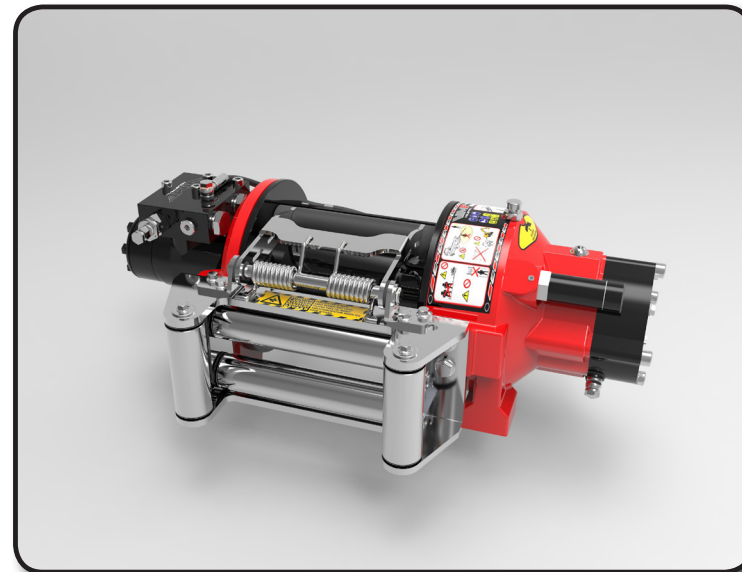
- Zinc plated Heavy-duty roller fairlead
- Zinc plated Cable tensioner
- Air clutch shifter - drum free spooling



CE
EN 14492-1

EPHL 3600FN

PULLING CAPACITY	3.600 Kgs	[8.000 Lbs]
WORKING PRESSURE	160 Bar	[2,321 Psi]
WIRE ROPE DIA.	10 mm	[- -]
MAX. ROPE CAPACITY	43 Mt	[141,1 Ft]
MAX. SPEED LINE (first layer)	14,8 Mt/Min	[48,6 Ft/Min]
MAX. OIL SUPPLY	60 Lt./Min.	[15,85 GPM]



WARNING

Do not use winch to lift support or transport personnel.

EPH FN PLANETARY WINCHES

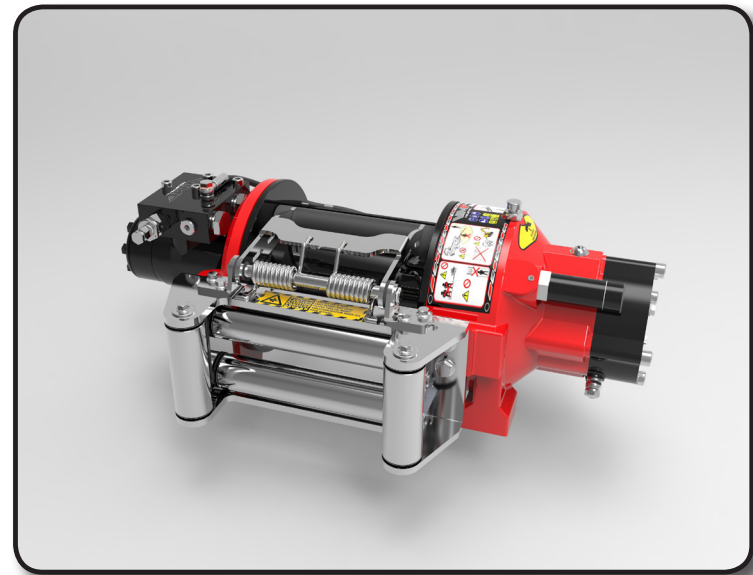
Model EPH FN are hydraulic planetary winches. Designed for extend life and give best safe duty. These winches are built according with higher safety standards in compliance with Directive Machinery 2006/42/CE Harmonized EN 14492-1. The high efficiency planetary gear train assure fast payout and rewind winching operational and the innovative brake system, make these winches reliable and great for industrial applications.



CE
EN 14492-1

EPHC 4500FN

PULLING CAPACITY	4.500 Kgs	[10.000 Lbs]
WORKING PRESSURE	150 Bar	[2,176 Psi]
WIRE ROPE DIA.	11 mm	[- -]
MAX. ROPE CAPACITY	30 Mt	[98,4 Ft]
MAX. SPEED LINE (first layer)	11,7 Mt/Min	[38,4 Ft/Min]
MAX. OIL SUPPLY	60 Lt/Min	[15,85 GPM]



FEATURES

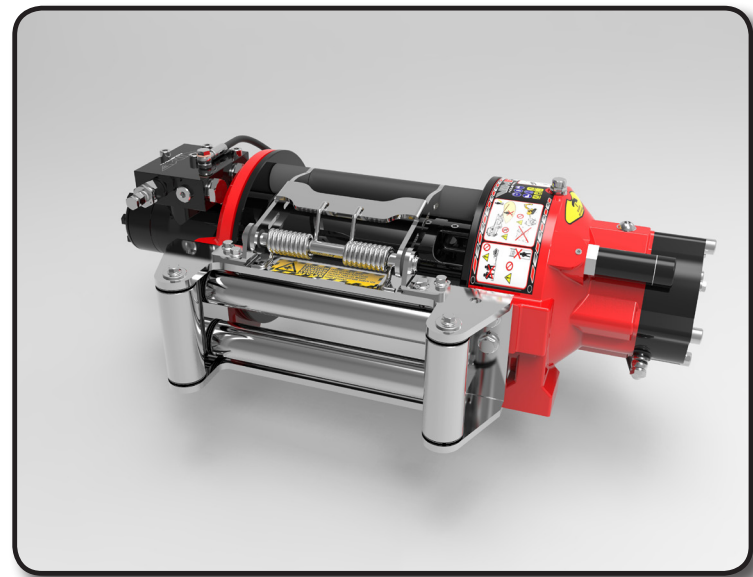
- COMPACT**
Hardened steel single stage planetary gear train
- FAST WINCHING SPEED**
Fast payout and rewind
- VERSATILE MOUNTING**
Designed for either foot or side mounting
- LIGHT AND STRONG**
Body manufactured from hardened, special aluminium castings reduced weight and increased strength
Powder coat finished
- MULTI-DISC PRESSURE RELEASED BRAKE**
Gives a reliable and effective full brake capacity
- DRUM SIZE AVAILABLE**
200 mm (7.9 inch) EPH 3600FN - EPH/C 4500
252 mm (9.9 inch) EPH/L 3600 FN - EPH 4500FN - EPH 5200FN - EPH 6200FN - EPH 6700FN
- TOTALLY OIL COOLED**
Gears and brake in oil bath for best performance, quiet operation and extended component life



CE
EN 14492-1

EPH 4500FN

PULLING CAPACITY	4.500 Kgs	[10.000 Lbs]
WORKING PRESSURE	150 Bar	[2,176 Psi]
WIRE ROPE DIA.	11 mm	[- -]
MAX. ROPE CAPACITY	40 Mt	[131,2 Ft]
MAX. SPEED LINE (first layer)	11,7 Mt/Min	[38,4 Ft/Min]
MAX. OIL SUPPLY	60 Lt/Min	[15,85 GPM]



ACCESSORIES :

- Zinc plated Heavy-duty roller fairlead
- Zinc plated Cable tensioner
- Air clutch shifter - drum free spooling

 **WARNING**
Do not use winch to lift support or transport personnel.

EPH FN PLANETARY WINCHES

Model EPH FN are hydraulic planetary winches. Designed for extend life and give best safe duty. These winches are built according with higher safety standards in compliance with Directive Machinery 2006/42/CE Harmonized EN 14492-1. The high efficiency planetary gear train assure fast payout and rewind winching operational and the innovative brake system, make these winches reliable and great for industrial applications.



CE
EN 14492-1

EPH 5200FN

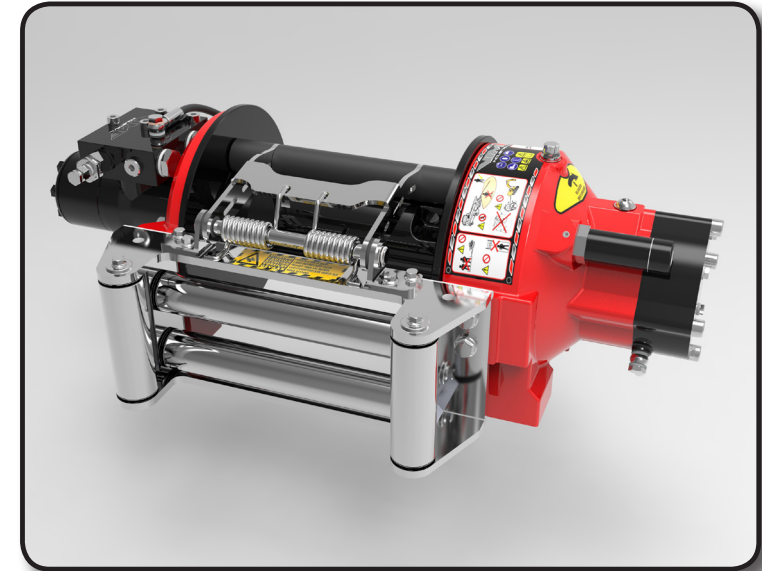
PULLING CAPACITY	5.200 Kgs	[11.464 Lbs]
WORKING PRESSURE	130 Bar	[1,885 Psi]
WIRE ROPE DIA.	11 mm	[-]
MAX. ROPE CAPACITY	54 Mt	[177,2 Ft]
MAX. SPEED LINE (first layer)	8,6 Mt/Min	[28,2 Ft]
MAX. OIL SUPPLY	60 Lt/Min	[15,85 GPM]

FEATURES

- COMPACT**
Hardened steel single stage planetary gear train
- FAST WINCHING SPEED**
Fast payout and rewind
- VERSATILE MOUNTING**
Designed for either foot or side mounting
- LIGHT AND STRONG**
Body manufactured from hardened, special aluminium castings reduced weight and increased strength
Powder coat finished
- MULTI-DISC PRESSURE RELEASED BRAKE**
Gives a reliable and effective full brake capacity
- DRUM SIZE AVAILABLE**
200 mm (7.9 inch) EPH 3600FN - EPH/C 4500
252 mm (9.9 inch) EPH/L 3600 FN - EPH 4500FN -
EPH 5200FN - EPH 6200FN - EPH 6700FN
- TOTALLY OIL COOLED**
Gears and brake in oil bath for best performance, quiet operation and extended component life

ACCESSORIES :

- Zinc plated Heavy-duty roller fairlead
- Zinc plated Cable tensioner
- Air clutch shifter - drum free spooling



WARNING

Do not use winch to lift support or transport personnel.

EPH FN PLANETARY WINCHES

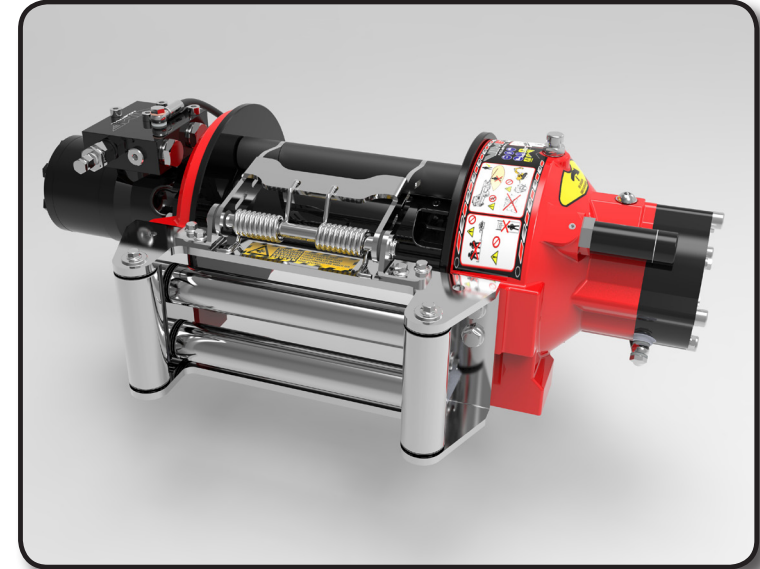
Model EPH FN are hydraulic planetary winches. Designed for extend life and give best safe duty. These winches are built according with higher safety standards in compliance with Directive Machinery 2006/42/CE Harmonized EN 14492-1. The high efficiency planetary gear train assure fast payout and rewind winching operational and the innovative brake system, make these winches reliable and great for industrial applications.



CE
EN 14492-1

EPH 6200FN

PULLING CAPACITY	6.200 Kgs	[13.650 Lbs]
WORKING PRESSURE	155 Bar	[2,248 Psi]
WIRE ROPE DIA.	12 mm	[-]
MAX. ROPE CAPACITY	39 Mt	[128,0 Ft]
MAX. SPEED LINE (first layer)	9,2 Mt/Min	[30,2 Ft]
MAX. OIL SUPPLY	60 Lt/Min	[15,85 GPM]



FEATURES

- COMPACT**
Hardened steel single stage planetary gear train
- FAST WINCHING SPEED**
Fast payout and rewind
- VERSATILE MOUNTING**
Designed for either foot or side mounting
- LIGHT AND STRONG**
Body manufactured from hardened, special aluminium castings reduced weight and increased strength
Powder coat finished
- MULTI-DISC PRESSURE RELEASED BRAKE**
Gives a reliable and effective full brake capacity
- DRUM SIZE AVAILABLE**
200 mm (7.9 inch) EPH 3600FN - EPH/C 4500
252 mm (9.9 inch) EPH/L 3600 FN - EPH 4500FN - EPH 5200FN - EPH 6200FN - EPH 6700FN
- TOTALLY OIL COOLED**
Gears and brake in oil bath for best performance, quiet operation and extended component life

ACCESSORIES :

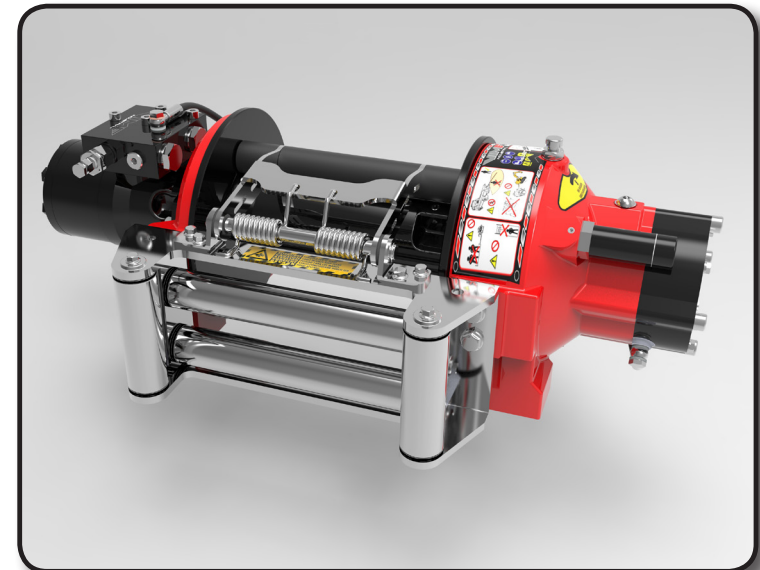
- Zinc plated Heavy-duty roller fairlead
- Zinc plated Cable tensioner
- Air clutch shifter - drum free spooling



CE
EN 14492-1

EPHL 6700FN

PULLING CAPACITY	6.700 Kgs	[14.770 Lbs]
WORKING PRESSURE	165 Bar	[2,393 Psi]
WIRE ROPE DIA.	12 mm	[-]
MAX. ROPE CAPACITY	39 Mt	[128,0 Ft]
MAX. SPEED LINE (first layer)	9,2 Mt/Min	[30,2 Ft]
MAX. OIL SUPPLY	60 Lt/Min	[15,85 GPM]



WARNING

Do not use winch to lift support or transport personnel.

EPH FN PLANETARY WINCHES

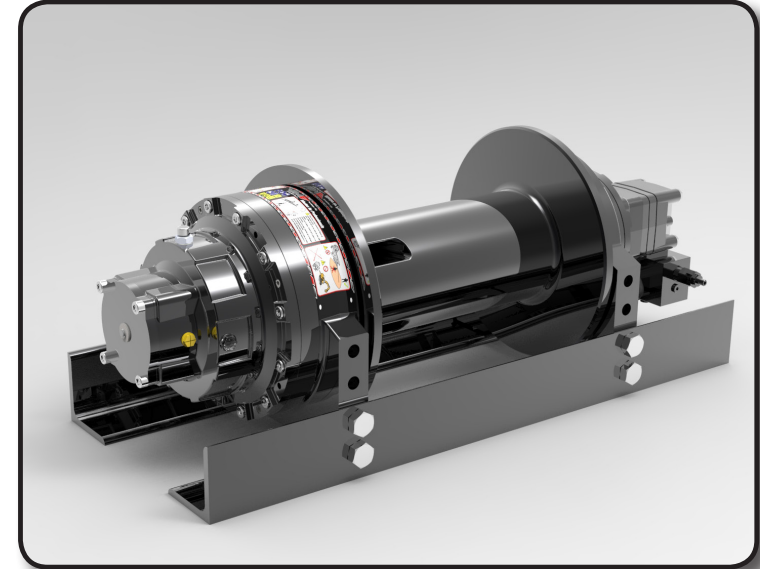
Model EPH FN are hydraulic planetary winches. Designed for extend life and give best safe duty. These winches are built according with higher safety standards in compliance with Directive Machinery 2006/42/CE Harmonized EN 14492-1. The high efficiency planetary gear train assure fast payout and rewind winching operational and the innovative brake system, make these winches reliable and great for industrial applications.



CE
EN 14492-1

EPHL 10000FN

PULLING CAPACITY	10.000 Kgs	[22.046 Lbs]
WORKING PRESSURE	200 Bar	[2,901 Psi]
WIRE ROPE DIA.	15 mm / 16 mm	[-]
MAX. ROPE CAPACITY	80/60 Mt	[262,5/196,9 Ft]
MAX. SPEED LINE (first layer)	11,1 Mt/Min	[36,4 Ft/Min]
MAX. OIL SUPPLY	75 Lt/Min	[19,81 GPM]



FEATURES

- COMPACT**
Hardened steel two stages planetary gear train
- FAST WINCHING SPEED**
Fast payout and rewind
- VERSATILE MOUNTING**
Designed for either foot or side mounting
- STRONG**
Body manufactured from hardened iron casting for extended heavy-duty cycles
- MULTI-DISC PRESSURE RELEASED BRAKE**
Gives a reliable and effective full brake capacity
- DRUM SIZE AVAILABLE**
Long: 373 mm (14.7 inch) EPHL 10000FN - EPHL 12500FN - EPHL 15000FN - EPHL 16500FN
Short: 255 mm (10.0 inch) EPHC 10000FN - EPHC 12500FN - EPHC 15000FN - EPHC 16500FN
- TOTALLY OIL COOLED**
Gears and brake in oil bath for best performance, quiet operation and extended component life

ACCESSORIES :

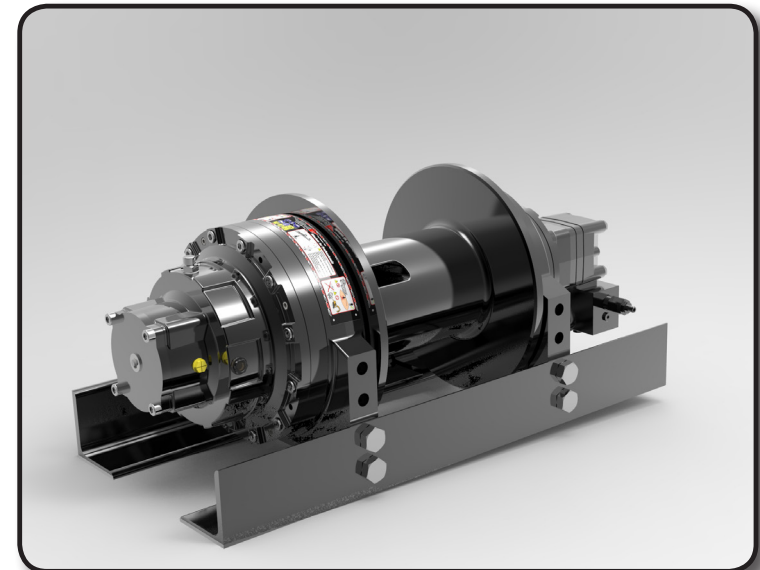
- Zinc plated Heavy-duty roller fairlead
- Zinc plated Cable tensioner
- Air clutch shifter - drum free spooling



CE
EN 14492-1

EPHC 10000FN

PULLING CAPACITY	10.000 Kgs	[22.046 Lbs]
WORKING PRESSURE	200 Bar	[2,901 Psi]
WIRE ROPE DIA.	15 mm / 16 mm	
MAX. ROPE CAPACITY	50/40 Mt	[164,0/131,2 Ft]
MAX. SPEED LINE (first layer)	11,1 Mt/Min	[36,4 Ft/Min]
MAX. OIL SUPPLY	75 Lt/Min	[19,81 GPM]



WARNING

Do not use winch to lift support or transport personnel.

EPH FN PLANETARY WINCHES

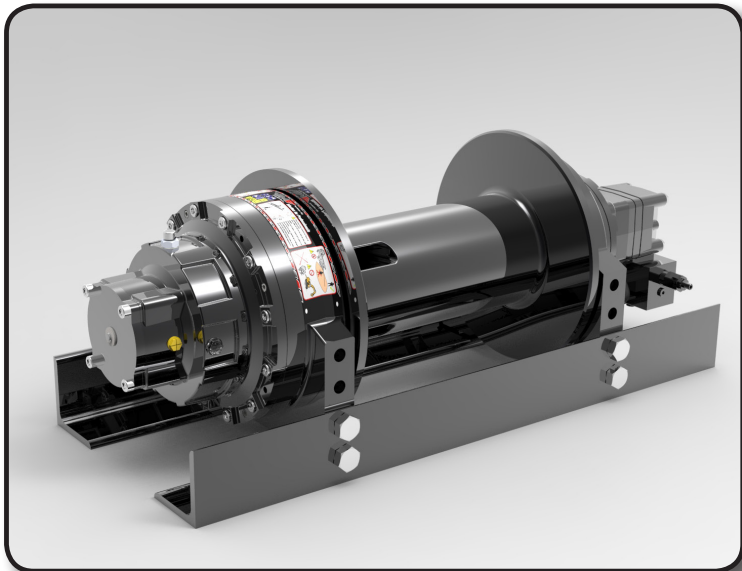
Model EPH FN are hydraulic planetary winches. Designed for extend life and give best safe duty. These winches are built according with higher safety standards in compliance with Directive Machinery 2006/42/CE Harmonized EN 14492-1. The high efficiency planetary gear train assure fast payout and rewind winching operational and the innovative brake system, make these winches reliable and great for industrial applications.



CE
EN 14492-1

EPHL 12500FN

PULLING CAPACITY	12.500 Kgs	[27.558 Lbs]
WORKING PRESSURE	200 Bar	[2,901 Psi]
WIRE ROPE DIA.	15 mm/18 mm	[-]
MAX. ROPE CAPACITY	80 Mt/55 Mt	[262,5/180,4 Ft]
MAX. SPEED LINE (first layer)	9,2 Mt/Min	[30,2 Ft/Min]
MAX. OIL SUPPLY	75 Lt./Min.	[19,81 GPM]



FEATURES

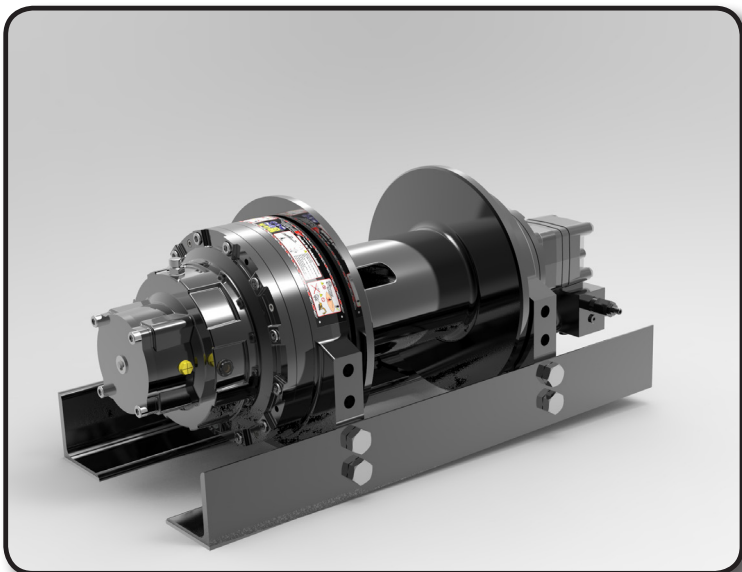
- COMPACT**
Hardened steel two stages planetary gear train
- FAST WINCHING SPEED**
Fast payout and rewind
- VERSATILE MOUNTING**
Designed for either foot or side mounting
- STRONG**
Body manufactured from hardened iron casting for extended heavy-duty cycles
- MULTI-DISC PRESSURE RELEASED BRAKE**
Gives a reliable and effective full brake capacity
- DRUM SIZE AVAILABLE**
Long : 373 mm (14.7 inch) EPHL 10000FN - EPHL 12500FN - EPHL 15000FN - EPHL 16500FN
Short : 255 mm (10.0 inch) EPHC 10000FN - EPHC 12500FN - EPHC 15000FN - EPHC 16500FN
- TOTALLY OIL COOLED**
Gears and brake in oil bath for best performance, quiet operation and extended component life



CE
EN 14492-1

EPHC 12500FN

PULLING CAPACITY	12.500 Kgs	[27.558 Lbs]
WORKING PRESSURE	200 Bar	[2,901 Psi]
WIRE ROPE DIA.	15 mm/18 mm	
MAX. ROPE CAPACITY	50 Mt/30 Mt	[164,0/98,4 Ft]
MAX. SPEED LINE (first layer)	9,2 Mt/Min	[30,2 Ft/Min]
MAX. OIL SUPPLY	75 Lt./Min.	[19,81 GPM]



ACCESSORIES :

- Zinc plated Heavy-duty roller fairlead
- Zinc plated Cable tensioner
- Air clutch shifter - drum free spooling

 **WARNING**
Do not use winch to lift support or transport personnel.

EPH FN PLANETARY WINCHES

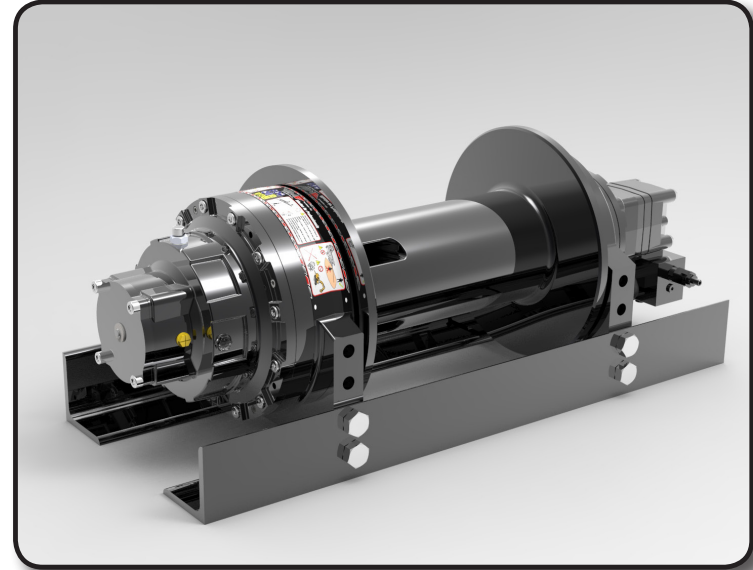
Model EPH FN are hydraulic planetary winches. Designed for extend life and give best safe duty. These winches are built according with higher safety standards in compliance with Directive Machinery 2006/42/CE Harmonized EN 14492-1. The high efficiency planetary gear train assure fast payout and rewind winching operational and the innovative brake system, make these winches reliable and great for industrial applications.



CE
EN 14492-1

EPHL 15000FN

PULLING CAPACITY	15.000 Kgs	[33.069 Lbs]
WORKING PRESSURE	200 Bar	[2,901 Psi]
WIRE ROPE DIA.	18 mm	[-]
MAX. ROPE CAPACITY	55 Mt	[180,4 Ft]
MAX. SPEED LINE (first layer)	4,8 Mt/Min	[23,0 Ft/Min]
MAX. OIL SUPPLY	75 Lt/Min	[19,81 GPM]



FEATURES

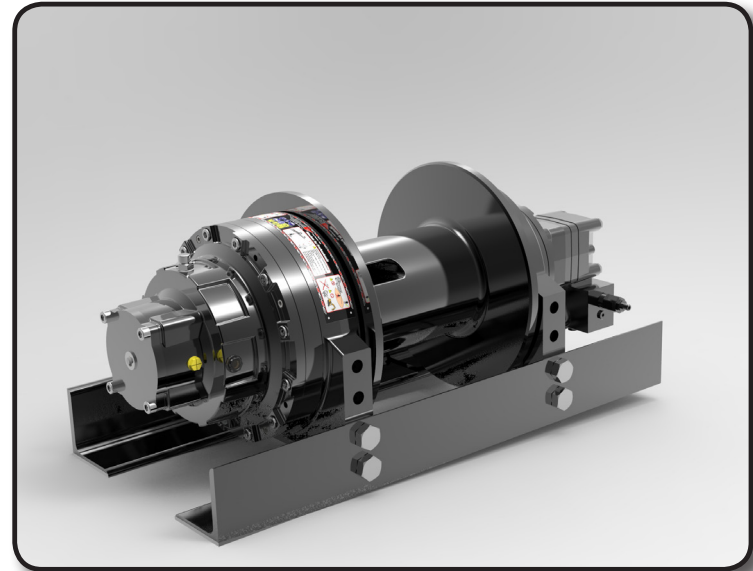
- COMPACT**
Hardened steel two stages planetary gear train
- FAST WINCHING SPEED**
Fast payout and rewind
- VERSATILE MOUNTING**
Designed for either foot or side mounting
- STRONG**
Body manufactured from hardened iron casting for extended heavy-duty cycles
- MULTI-DISC PRESSURE RELEASED BRAKE**
Gives a reliable and effective full brake capacity
- DRUM SIZE AVAILABLE**
Long : 373 mm (14.7 inch) EPHL 10000FN - EPHL 12500FN - EPHL 15000FN - EPHL 16500FN
Short : 255 mm (10.0 inch) EPHC 10000FN - EPHC 12500FN - EPHC 15000FN - EPHC 16500FN
- TOTALLY OIL COOLED**
Gears and brake in oil bath for best performance, quiet operation and extended component life



CE
EN 14492-1

EPHC 15000FN

PULLING CAPACITY	15.000 Kgs	[33.069 Lbs]
WORKING PRESSURE	200 Bar	[2,901 Psi]
WIRE ROPE DIA.	18 mm	[-]
MAX. ROPE CAPACITY	30 Mt	[98,4 Ft]
MAX. SPEED LINE (first layer)	7 Mt/Min	[23,0 Ft/Min]
MAX. OIL SUPPLY	75 Lt/Min	[19,81 GPM]



ACCESSORIES :

- Zinc plated Heavy-duty roller fairlead
- Zinc plated Cable tensioner
- Air clutch shifter - drum free spooling

 **WARNING**
Do not use winch to lift support or transport personnel.

EPH FN PLANETARY WINCHES

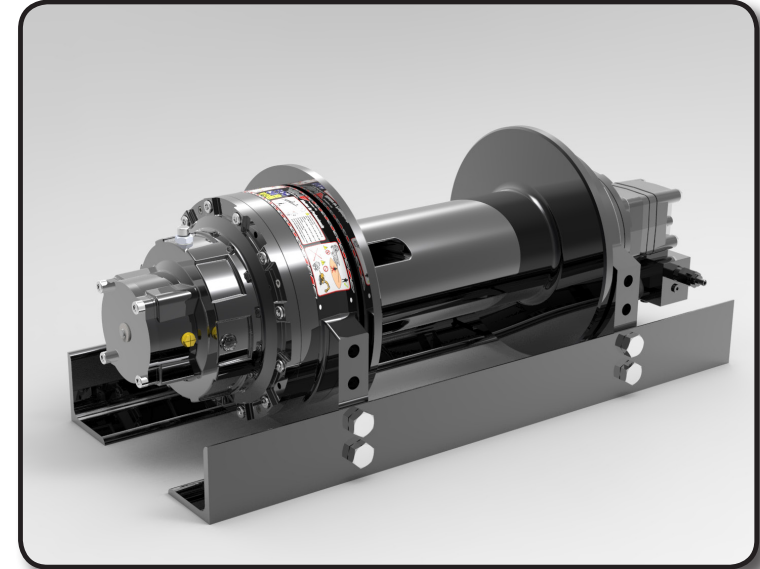
Model EPH FN are hydraulic planetary winches. Designed for extend life and give best safe duty. These winches are built according with higher safety standards in compliance with Directive Machinery 2006/42/CE Harmonized EN 14492-1. The high efficiency planetary gear train assure fast payout and rewind winching operational and the innovative brake system, make these winches reliable and great for industrial applications.



CE
EN 14492-1

EPHL 16500FN

PULLING CAPACITY	16.500 Kgs	[36.376 Lbs]
WORKING PRESSURE	180 Bar	[2,611 Psi]
WIRE ROPE DIA.	18 mm	
MAX. ROPE CAPACITY	55 Mt	[180,4 Ft]
MAX. SPEED LINE (first layer)	5,6 Mt/Min	[18,4 Ft/Min]
MAX. OIL SUPPLY	75 Lt/Min	[19,81 GPM]



FEATURES

- COMPACT**
Hardened steel two stages planetary gear train
- FAST WINCHING SPEED**
Fast payout and rewind
- VERSATILE MOUNTING**
Designed for either foot or side mounting
- STRONG**
Body manufactured from hardened iron casting for extended heavy-duty cycles
- MULTI-DISC PRESSURE RELEASED BRAKE**
Gives a reliable and effective full brake capacity
- DRUM SIZE AVAILABLE**
Long: 373 mm (14.7 inch) EPHL 10000FN - EPHL 12500FN - EPHL 15000FN - EPHL 16500FN
Short : 255 mm (10.0 inch) EPHC 10000FN - EPHC 12500FN - EPHC 15000FN - EPHC 16500FN
- TOTALLY OIL COOLED**
Gears and brake in oil bath for best performance, quiet operation and extended component life

ACCESSORIES :

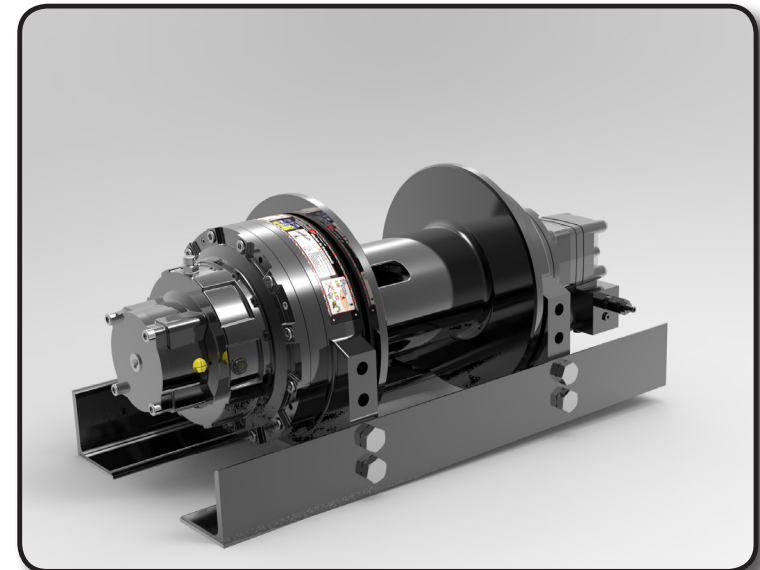
- Zinc plated Heavy-duty roller fairlead
- Zinc plated Cable tensioner
- Air clutch shifter - drum free spooling



CE
EN 14492-1

EPHC 16500FN

PULLING CAPACITY	16.500 Kgs	[36.376 Lbs]
WORKING PRESSURE	180 Bar	[2,611 Psi]
WIRE ROPE DIA.	18 mm	
MAX. ROPE CAPACITY	30 Mt	[98,4 Ft]
MAX. SPEED LINE (first layer)	5,6 Mt/Min	[18,4 Ft/Min]
MAX. OIL SUPPLY	75 Lt/Min	[19,81 GPM]



WARNING

Do not use winch to lift support or transport personnel.

EPH FN PLANETARY WINCHES

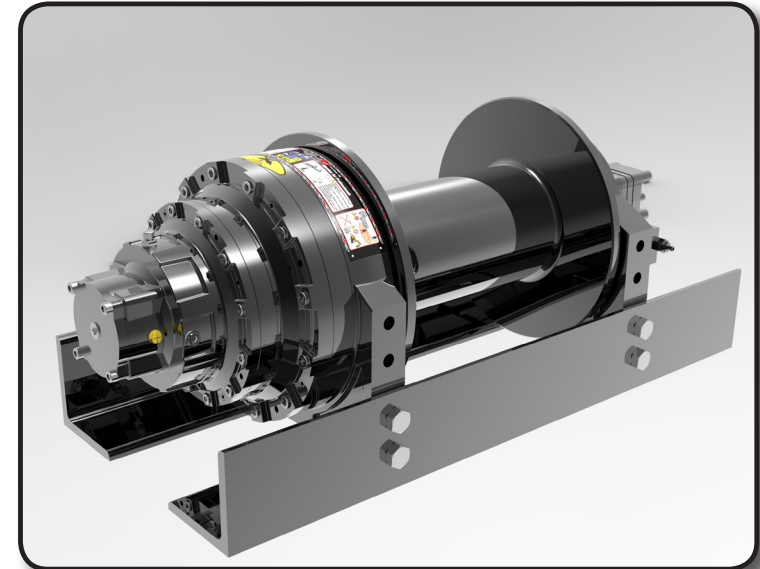
Model EPH FN are hydraulic planetary winches. Designed for extend life and give best safe duty. These winches are built according with higher safety standards in compliance with Directive Machinery 2006/42/CE Harmonized EN 14492-1. The high efficiency planetary gear train assure fast payout and rewind winching operational and the innovative brake system, make these winches reliable and great for industrial applications.



CE
EN 14492-1

EPHL 20000FN

PULLING CAPACITY	20.000 Kgs	[44.092 Lbs]
WORKING PRESSURE	210 Bar	[3,046 Psi]
WIRE ROPE DIA.	22 mm	
MAX. ROPE CAPACITY	60 Mt	[196,9 Ft]
MAX. SPEED LINE (first layer)	5,1 Mt/Min	[16,7 Ft/Min]
MAX. OIL SUPPLY	75 Lt/Min	[19,81 GPM]



FEATURES

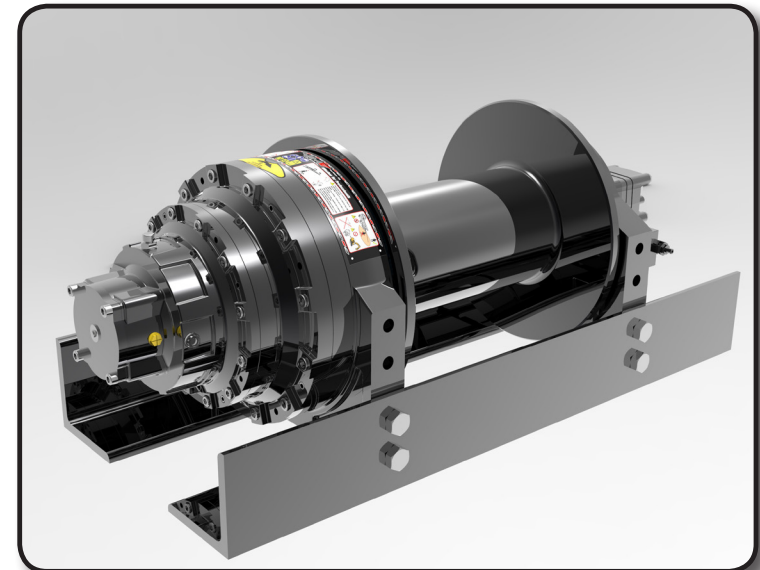
- COMPACT**
Hardened steel three stages planetary gear train
- FAST WINCHING SPEED**
Fast payout and rewind
- VERSATILE MOUNTING**
Designed for either foot or side mounting
- STRONG**
Body manufactured from hardened iron casting for extended heavy-duty cycles
- MULTI-DISC PRESSURE RELEASED BRAKE**
Gives a reliable and effective full brake capacity
- DRUM SIZE AVAILABLE**
405 mm (15.9 inch) EPHL 20000FN - EPHL 22500FN
EPHL 25000FN
- TOTALLY OIL COOLED**
Gears and brake in oil bath for best performance, quiet operation and extended component life



CE
EN 14492-1

EPHL 22500FN

PULLING CAPACITY	22.500 Kgs	[49.604 Lbs]
WORKING PRESSURE	195 Bar	[2,828 Psi]
WIRE ROPE DIA.	22 mm	
MAX. ROPE CAPACITY	60 Mt	[196,9 Ft]
MAX. SPEED LINE (first layer)	4,1 Mt/Min	[13,5 Ft/Min]
MAX. OIL SUPPLY	75 Lt./Min.	[19,81 GPM]



WARNING

Do not use winch to lift support or transport personnel.

EPH FN PLANETARY WINCHES

Model EPH FN are hydraulic planetary winches. Designed for extend life and give best safe duty. These winches are built according with higher safety standards in compliance with Directive Machinery 2006/42/CE Harmonized EN 14492-1. The high efficiency planetary gear train assure fast payout and rewind winching operational and the innovative brake system, make these winches reliable and great for industrial applications.



CE
EN 14492-1

EPHL 25000FN

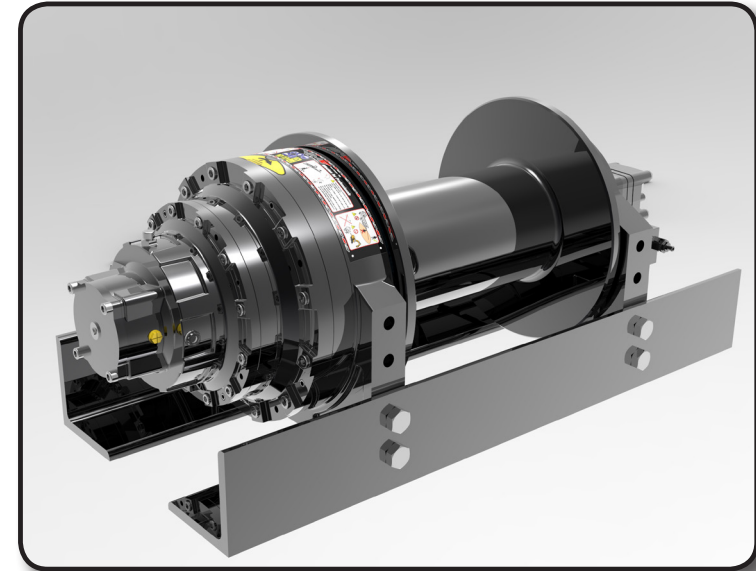
PULLING CAPACITY	25.000 Kgs	[55.116 Lbs]
WORKING PRESSURE	210 Bar	[3,046 Psi]
WIRE ROPE DIA.	22 mm	[-]
MAX. ROPE CAPACITY	60 Mt	[196,9 Ft]
MAX. SPEED LINE (first layer)	4,1 Mt/Min	[13,5 Ft/Min]
MAX. OIL SUPPLY	75 Lt/Min	[19,81 GPM]

FEATURES

- COMPACT**
Hardened steel three stages planetary gear train
- FAST WINCHING SPEED**
Fast payout and rewind
- VERSATILE MOUNTING**
Designed for either foot or side mounting
- STRONG**
Body manufactured from hardened iron casting for extended heavy-duty cycles
- MULTI-DISC PRESSURE RELEASED BRAKE**
Gives a reliable and effective full brake capacity
- DRUM SIZE AVAILABLE**
405 mm (15.9 inch) EPHL 20000FN - EPHL 22500FN
EPHL 25000FN
- TOTALLY OIL COOLED**
Gears and brake in oil bath for best performance, quiet operation and extended component life

ACCESSORIES :

- Zinc plated Heavy-duty roller fairlead
- Zinc plated Cable tensioner
- Air clutch shifter - drum free spooling



WARNING

Do not use winch to lift support or transport personnel.

JH WORM GEAR WINCHES

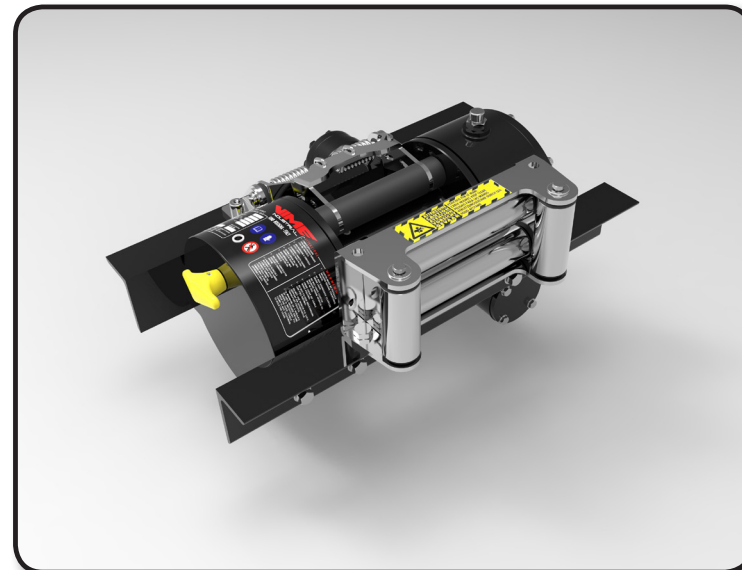
Models JH are hydraulic worm gear winches. Designed for extended life and gives best safe duty. This winch is built according with higher safety standards in compliance with Directive Machinery 2006/42/CE EN 14492-1. The special aluminium alloy bronze gear match to an hardened steel ground polished worm. Worm gear provides load reversing protection. Particularly fit for tow-trucks and for recovery of medium-light vehicles on tires.



CE
EN 14492-1

JHC 3600

PULLING CAPACITY	3.600 Kgs	[8.000 Lbs]
WORKING PRESSURE	130 Bar	[1,885 Psi]
WIRE ROPE DIA.	10 mm	[-]
MAX. ROPE CAPACITY	24 Mt	[78,7 Ft]
MAX. SPEED LINE (first layer)	3,8 Mt/Min	[12,5 Ft/Min]
MAX. OIL SUPPLY	40 Lt/Min	[10,57 GPM]



FEATURES

- TOUGH**
The special aluminium alloy bronze gear match to an hardened steel ground polished worm
- LOW MOUNTING**
Its particular design, make it proper for front end or rear vehicles mounting
- LIGHT AND STRONG**
Body manufactured from hardened special aluminium castings, reducing weight and increasing strength
Powder coat finished
- BRAKE**
Worm gear provides load reversing protection
- DRUM SIZE AVAILABLE**
Short: 162 mm (6.4 inch) for JHC
Medium: 211 mm (8.3 inch) for JHM
Long: 350 mm (13.8 inch) for JHL
- TOTALLY OIL COOLED**
Worm and gear in oil bath, give best performance and extending parts life

ACCESSORIES :

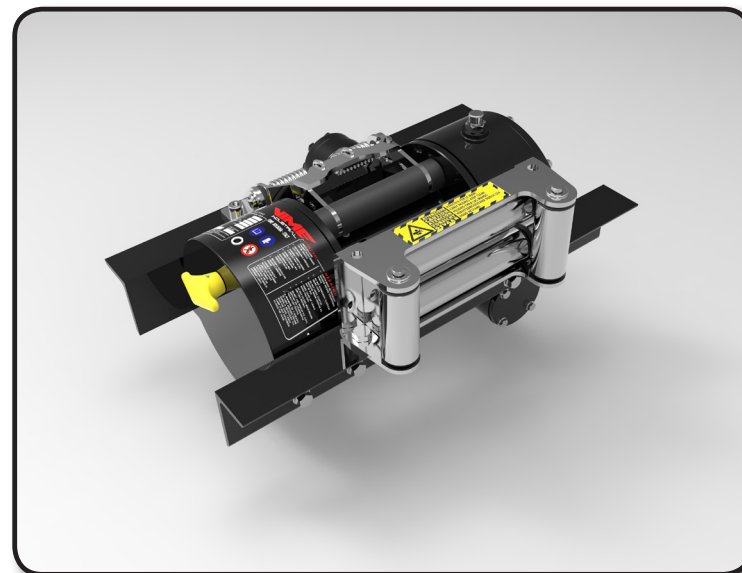
- Zinc plated Standard or Heavy-duty roller fairlead
- Zinc plated Cable tensioner
- Air clutch shifter - drum free spooling



CE
EN 14492-1

JHC 2700

PULLING CAPACITY	2.700 Kgs	[6.000 Lbs]
WORKING PRESSURE	130 Bar	[1,885 Psi]
WIRE ROPE DIA.	8 mm	[-]
MAX. ROPE CAPACITY	39 Mt	[128,0 Ft]
MAX. SPEED LINE (first layer)	4,9 Mt/Min	[16,1 Ft]
MAX. OIL SUPPLY	40 Lt/Min	[10,57 GPM]



WARNING

Do not use winch to lift support or transport personnel.

JH WORM GEAR WINCHES

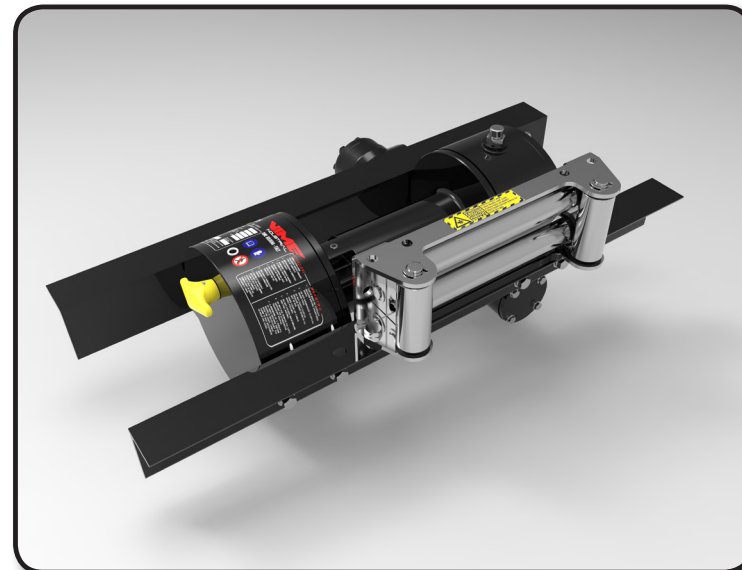
Models JH are hydraulic worm gear winches. Designed for extended life and gives best safe duty. This winch is built according with higher safety standards in compliance with Directive Machinery 2006/42/CE EN 14492-1. The special aluminium alloy bronze gear match to an hardened steel ground polished worm. Worm gear provides load reversing protection. Particularly fit for tow-trucks and for recovery of medium-light vehicles on tires.



CE
EN 14492-1

JHM 3600

PULLING CAPACITY	3.600 Kgs	[8.000 Lbs]
WORKING PRESSURE	130 Bar	[1,885 Psi]
WIRE ROPE DIA.	10 mm	[-]
MAX. ROPE CAPACITY	32 Mt	[105,0 Ft]
MAX. SPEED LINE (first layer)	3,8 Mt/Min	[12,5 Ft/Min]
MAX. OIL SUPPLY	40 Lt/Min	[10,56 GPM]



FEATURES

- TOUGH**
The special aluminium alloy bronze gear match to an hardened steel ground polished worm
- LOW MOUNTING**
Its particular design, make it proper for front end or rear vehicles mounting
- LIGHT AND STRONG**
Body manufactured from hardened special aluminium castings, reducing weight and increasing strength
Powder coat finished
- BRAKE**
Worm gear provides load reversing protection
- DRUM SIZE AVAILABLE**
Short: 162 mm (6.4 inch) for JHC
Medium: 211 mm (8.3 inch) for JHM
Long: 350 mm (13.8 inch) for JHL
- TOTALLY OIL COOLED**
Worm and gear in oil bath, give best performance and extending parts life

ACCESSORIES :

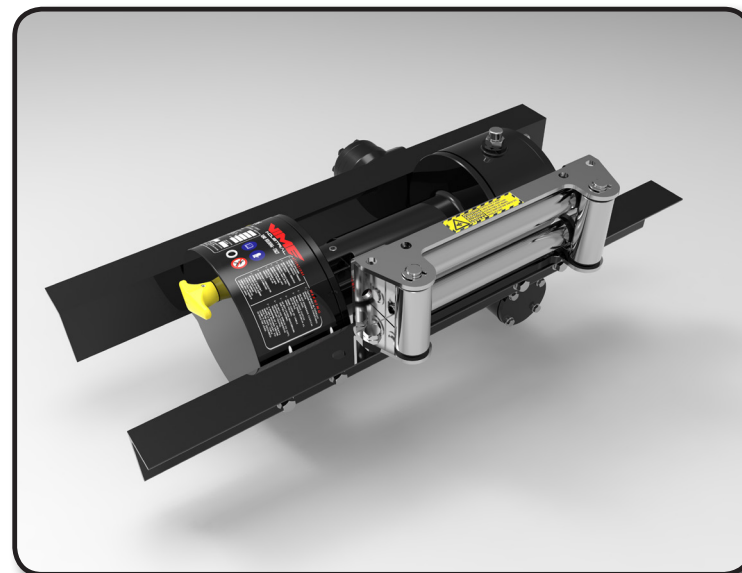
- Zinc plated Standard or Heavy-duty roller fairlead
- Zinc plated Cable tensioner
- Air clutch shifter - drum free spooling



CE
EN 14492-1

JHM 2700

PULLING CAPACITY	2.700 Kgs	[6.000 Lbs]
WORKING PRESSURE	130 Bar	[1,885 Psi]
WIRE ROPE DIA.	8 mm	[-]
MAX. ROPE CAPACITY	51 Mt	[167,30 Ft]
MAX. SPEED LINE (first layer)	4,9 Mt/Min	[16,1 Ft]
MAX. OIL SUPPLY	40 Lt/Min	[10,56 GPM]



WARNING

Do not use winch to lift support or transport personnel.

JH WORM GEAR WINCHES

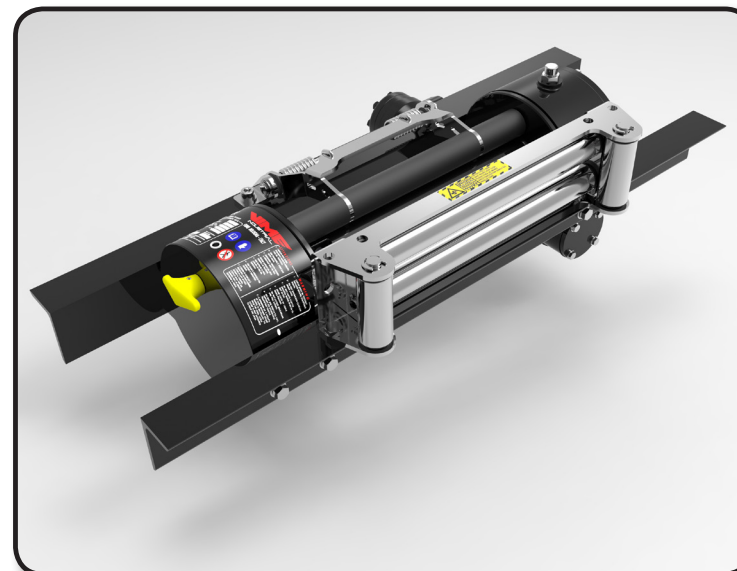
Models JH are hydraulic worm gear winches. Designed for extended life and gives best safe duty. This winch is built according with higher safety standards in compliance with Directive Machinery 2006/42/CE EN 14492-1. The special aluminium alloy bronze gear match to an hardened steel ground polished worm. Worm gear provides load reversing protection. Particularly fit for tow-trucks and for recovery of medium-light vehicles on tires.



CE
EN 14492-1

JHL 3600

PULLING CAPACITY	3.600 Kgs	[8.000 Lbs]
WORKING PRESSURE	130 Bar	[1,885 Psi]
WIRE ROPE DIA.	10 mm	[-]
MAX. ROPE CAPACITY	55 Mt	[180,4 Ft]
MAX. SPEED LINE (first layer)	3,8 Mt/Min	[12,5 Ft/Min]
MAX. OIL SUPPLY	40 Lt/Min	[10,57 GPM]



FEATURES

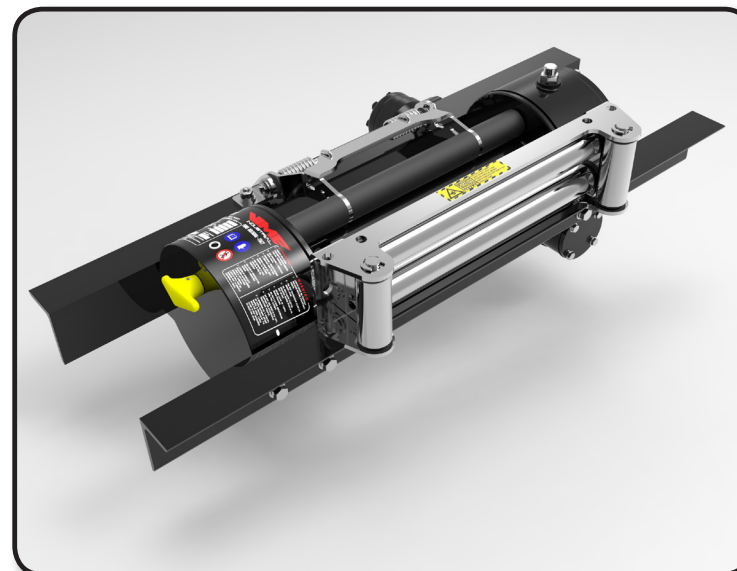
- TOUGH**
The special aluminium alloy bronze gear match to an hardened steel ground polished worm
- LOW MOUNTING**
Its particular design, make it proper for front end or rear vehicles mounting
- LIGHT AND STRONG**
Body manufactured from hardened special aluminium castings, reducing weight and increasing strength
Powder coat finished
- BRAKE**
Worm gear provides load reversing protection
- DRUM SIZE AVAILABLE**
Short: 162 mm (6.4 inch) for JHC
Medium: 211 mm (8.3 inch) for JHM
Long: 350 mm (13.8 inch) for JHL
- TOTALLY OIL COOLED**
Worm and gear in oil bath, give best performance and extending parts life



CE
EN 14492-1

JHL 2700

PULLING CAPACITY	2.700 Kgs	[6.000 Lbs]
WORKING PRESSURE	130 Bar	[1,885 Psi]
WIRE ROPE DIA.	8 mm	[-]
MAX. ROPE CAPACITY	87 Mt	[285,4 Ft]
MAX. SPEED LINE (first layer)	4,9 Mt/Min	[16,1 Ft]
MAX. OIL SUPPLY	40 Lt/Min	[10,57 GPM]



WARNING

Do not use winch to lift support or transport personnel.

ZH WORM GEAR WINCHES

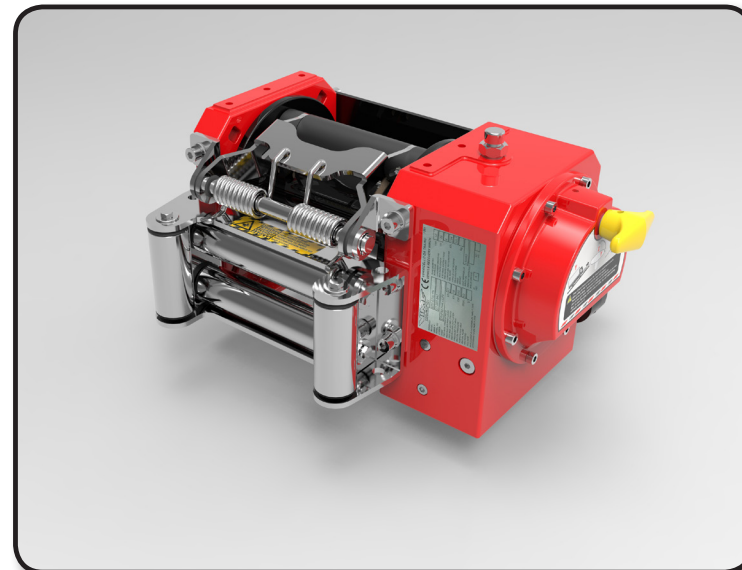
Models ZH are hydraulic worm gear winches. Designed for extended life and gives best safe duty. This winch is built according with higher safety standards in compliance with Directive Machinery 2006/42/CE EN 14492-1. The special aluminium alloy bronze gear match to an hardened steel ground polished worm. Worm gear provides load reversing protection. Particularly fit for tow-trucks and for recovery of medium-light vehicles on tires.



CE
EN 14492-1

ZHC 3000

PULLING CAPACITY	3.000 Kgs	[6.614 Lbs]
WORKING PRESSURE	130 Bar	[1,885 Psi]
WIRE ROPE DIA.	9 mm	[-]
MAX. ROPE CAPACITY	17 Mt	[55,8 Ft]
MAX. SPEED LINE (first layer)	4,2 Mt/Min	[13,8 Ft/Min]
MAX. OIL SUPPLY	40 Lt/Min	[10,57 GPM]



FEATURES

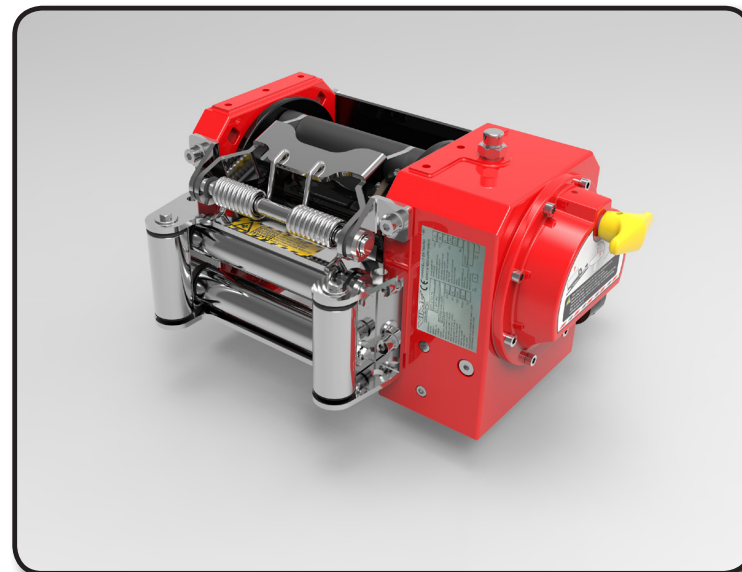
- TOUGH**
The special aluminium alloy bronze gear match to an hardened steel ground polished worm
- VERSATILE MOUNTING**
Designed for either foot or side mounting
- LIGHT AND STRONG**
Body manufactured from hardened, special aluminium castings reduced weight and increased strength
Powder coat finished
- BRAKE**
Worm gear provides load reversing protection
- DRUM SIZE AVAILABLE**
Short: 160 mm (6.3 inch) for ZHC
Long: 240 mm (9.4 inch) for ZHL
- TOTALLY OIL COOLED**
Worm and gear in oil bath, give best performance and extending parts life



CE
EN 14492-1

ZHC 2200

PULLING CAPACITY	2.200 Kgs	[4.850 Lbs]
WORKING PRESSURE	130 Bar	[1,885 Psi]
WIRE ROPE DIA.	8 mm	[-]
MAX. ROPE CAPACITY	19 Mt	[62,3 Ft]
MAX. SPEED LINE (first layer)	5,5 Mt/Min	[18,0 Ft]
MAX. OIL SUPPLY	40 Lt/Min	[10,57 GPM]



WARNING

Do not use winch to lift support or transport personnel.

ZH WORM GEAR WINCHES

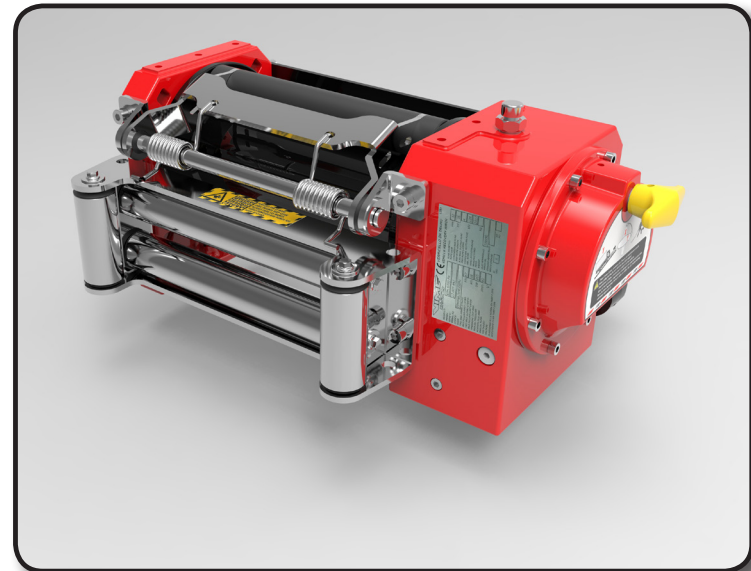
Models ZH are hydraulic worm gear winches. Designed for extended life and gives best safe duty. This winch is built according with higher safety standards in compliance with Directive Machinery 2006/42/CE EN 14492-1. The special aluminium alloy bronze gear match to an hardened steel ground polished worm. Worm gear provides load reversing protection. Particularly fit for tow-trucks and for recovery of medium-light vehicles on tires.



CE
EN 14492-1

ZHL 3000

PULLING CAPACITY	3.000 Kgs	[6.614 Lbs]
WORKING PRESSURE	130 Bar	[1,885 Psi]
WIRE ROPE DIA.	9 mm	[-]
MAX. ROPE CAPACITY	26 Mt	[85,3 Ft]
MAX. SPEED LINE (first layer)	4,2 Mt/Min	[13,8 Ft/Min]
MAX. OIL SUPPLY	40 Lt/Min	[10,57 GPM]



FEATURES

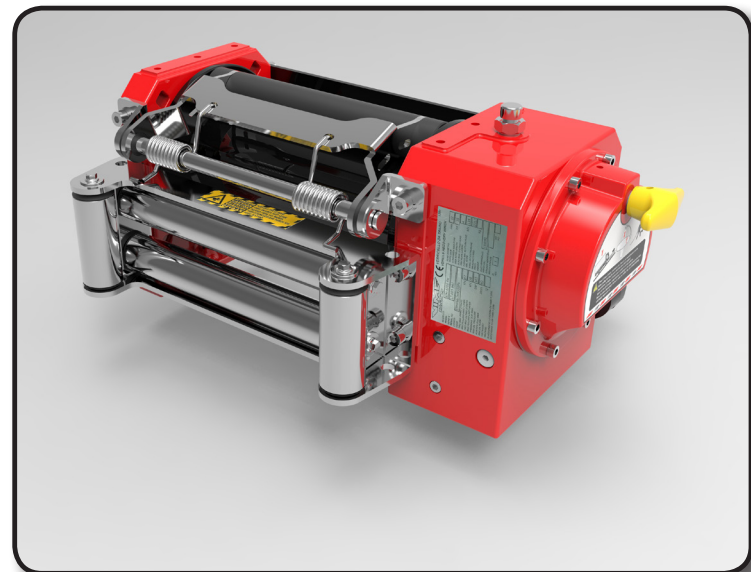
- TOUGH**
The special aluminium alloy bronze gear match to an hardened steel ground polished worm
- VERSATILE MOUNTING**
Designed for either foot or side mounting
- LIGHT AND STRONG**
Body manufactured from hardened, special aluminium castings reduced weight and increased strength
Powder coat finished
- BRAKE**
Worm gear provides load reversing protection
- DRUM SIZE AVAILABLE**
Short: 160 mm (6.3 inch) for ZHC
Long: 240 mm (9.4 inch) for ZHL
- TOTALLY OIL COOLED**
Worm and gear in oil bath, give best performance and extending parts life



CE
EN 14492-1

ZHL 2200

PULLING CAPACITY	2.200 Kgs	[4.850 Lbs]
WORKING PRESSURE	130 Bar	[1,885 Psi]
WIRE ROPE DIA.	8 mm	[-]
MAX. ROPE CAPACITY	29 Mt	[95,1 Ft]
MAX. SPEED LINE (first layer)	5,5 Mt/Min	[18,0 Ft]
MAX. OIL SUPPLY	40 Lt/Min	[10,57 GPM]



ACCESSORIES :

- Zinc plated Heavy-duty roller fairlead
- Zinc plated Cable tensioner

 **WARNING**
Do not use winch to lift support or transport personnel.

ZH WORM GEAR WINCHES

Models ZH are hydraulic worm gear winches. Designed for extended life and gives best safe duty. This winch is built according with higher safety standards in compliance with Directive Machinery 2006/42/CE EN 14492-1. The special aluminium alloy bronze gear match to an hardened steel ground polished worm. Worm gear provides load reversing protection. Particularly fit for tow-trucks and for recovery of medium-light vehicles on tires.



CE
EN 14492-1

ZHC 3000

UPRIGHT MOUNTING

PULLING CAPACITY	3.000 Kgs	[6.614 Lbs]
WORKING PRESSURE	130 Bar	[1,885 Psi]
WIRE ROPE DIA.	9 mm	[-]
MAX. ROPE CAPACITY	17 Mt	[55,8 Ft]
MAX. SPEED LINE (first layer)	4,2 Mt/Min	[13,8 Ft/Min]
MAX. OIL SUPPLY	40 Lt/Min	[10,57 GPM]

FEATURES

- TOUGH**
The special aluminium alloy bronze gear match to an hardened steel ground polished worm
- VERSATILE MOUNTING**
Designed for either foot or side mounting
- LIGHT AND STRONG**
Body manufactured from hardened, special aluminium castings reduced weight and increased strength
Powder coat finished
- BRAKE**
Worm gear provides load reversing protection
- DRUM SIZE AVAILABLE**
Short: 160 mm (6.3 inch) for ZHC
Long: 240 mm (9.4 inch) for ZHL
- TOTALLY OIL COOLED**
Worm and gear in oil bath, give best performance and extending parts life

ACCESSORIES :

- Zinc plated Heavy-duty roller fairlead
- Zinc plated Cable tensioner

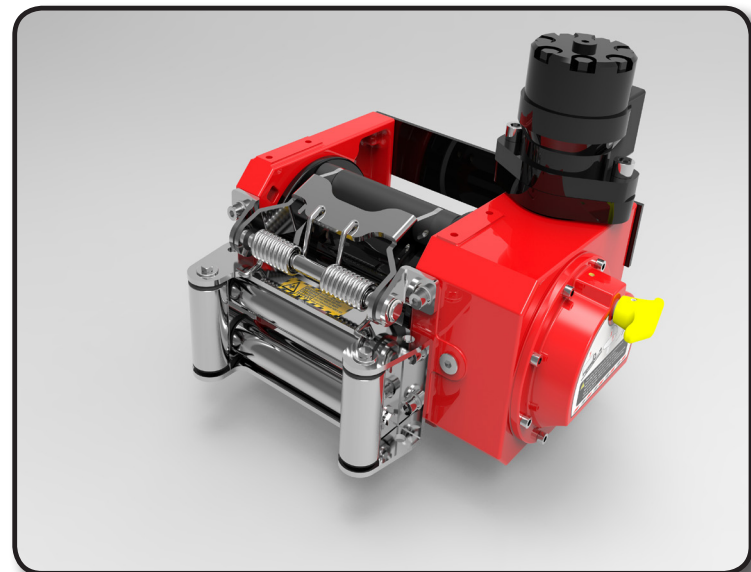
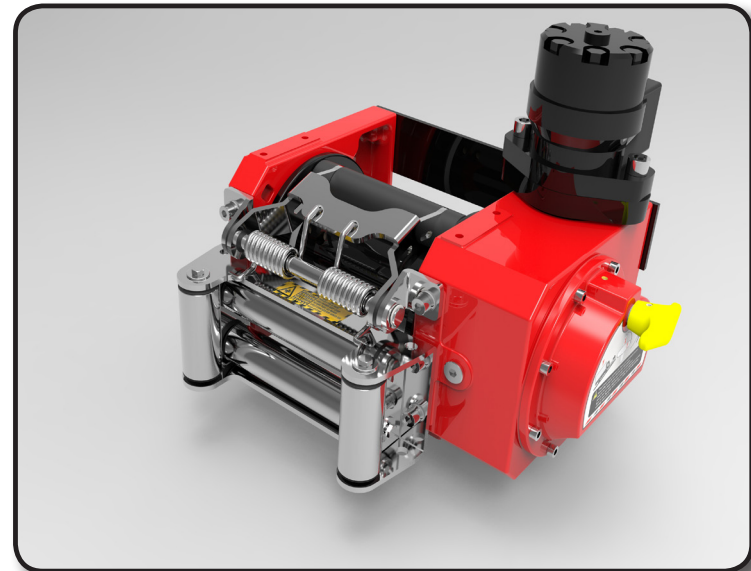


CE
EN 14492-1

ZHC 2200

UPRIGHT MOUNTING

PULLING CAPACITY	2.200 Kgs	[4.850 Lbs]
WORKING PRESSURE	130 Bar	[1,885 Psi]
WIRE ROPE DIA.	8 mm	[-]
MAX. ROPE CAPACITY	19 Mt	[62,3 Ft]
MAX. SPEED LINE (first layer)	5,5 Mt/Min	[18,0 Ft]
MAX. OIL SUPPLY	40 Lt/Min	[10,57 GPM]



ZH WORM GEAR WINCHES

Models ZH are hydraulic worm gear winches. Designed for extended life and gives best safe duty. This winch is built according with higher safety standards in compliance with Directive Machinery 2006/42/CE EN 14492-1. The special aluminium alloy bronze gear match to an hardened steel ground polished worm. Worm gear provides load reversing protection. Particularly fit for tow-trucks and for recovery of medium-light vehicles on tires.



CE
EN 14492-1

ZHL 3000

UPRIGHT MOUNTING

PULLING CAPACITY	3.000 Kgs	[6.614 Lbs]
WORKING PRESSURE	130 Bar	[1,885 Psi]
WIRE ROPE DIA.	9 mm	[-]
MAX. ROPE CAPACITY	26 Mt	[85,3 Ft]
MAX. SPEED LINE (first layer)	4,2 Mt/Min	[13,8 Ft/Min]
MAX. OIL SUPPLY	40 Lt/Min	[10,57 GPM]

FEATURES

- TOUGH**
The special aluminium alloy bronze gear match to an hardened steel ground polished worm
- VERSATILE MOUNTING**
Designed for either foot or side mounting
- LIGHT AND STRONG**
Body manufactured from hardened, special aluminium castings reduced weight and increased strength
Powder coat finished
- BRAKE**
Worm gear provides load reversing protection
- DRUM SIZE AVAILABLE**
Short: 160 mm (6.3 inch) for ZHC
Long: 240 mm (9.4 inch) for ZHL
- TOTALLY OIL COOLED**
Worm and gear in oil bath, give best performance and extending parts life

ACCESSORIES :

- Zinc plated Heavy-duty roller fairlead
- Zinc plated Cable tensioner

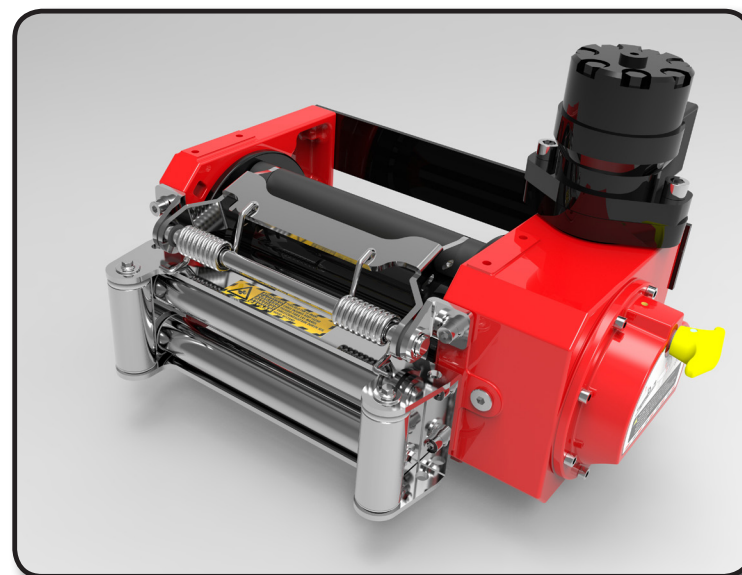
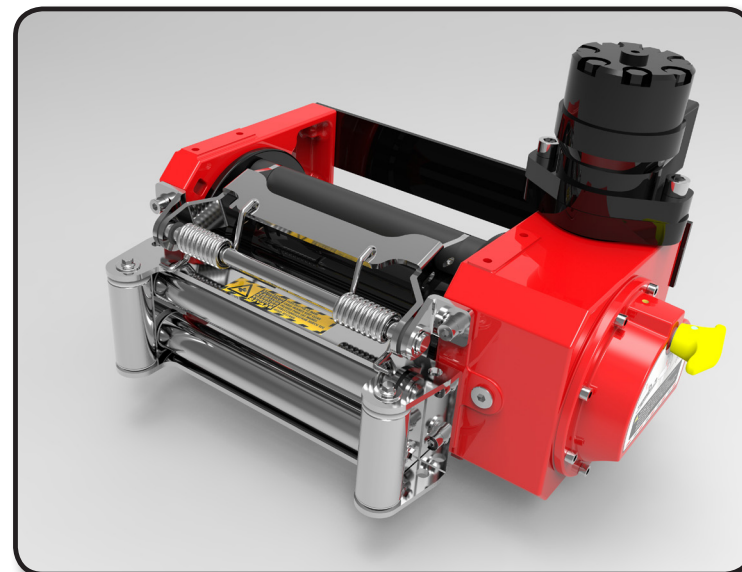


CE
EN 14492-1

ZHL 2200

UPRIGHT MOUNTING

PULLING CAPACITY	2.200 Kgs	[4.850 Lbs]
WORKING PRESSURE	130 Bar	[1,885 Psi]
WIRE ROPE DIA.	8 mm	[-]
MAX. ROPE CAPACITY	29 Mt	[95,1 Ft]
MAX. SPEED LINE (first layer)	5,5 Mt/Min	[18,0 Ft]
MAX. OIL SUPPLY	40 Lt/Min	[10,57 GPM]



WARNING

Do not use winch to lift support or transport personnel.

ZH WORM GEAR WINCHES

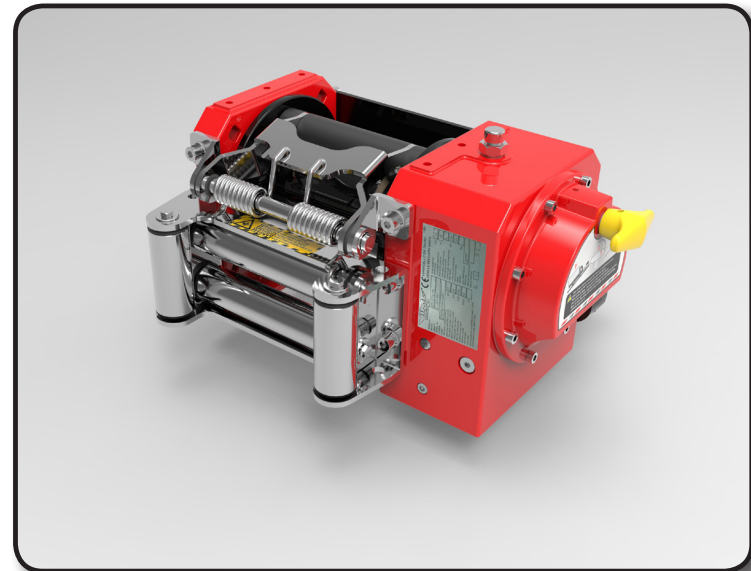
Models ZH are hydraulic worm gear winches. Designed for extended life and gives best safe duty. This winch is built according with higher safety standards in compliance with Directive Machinery 2006/42/CE EN 14492-1. The special aluminium alloy bronze gear match to an hardened steel ground polished worm. Worm gear provides load reversing protection. Particularly fit for tow-trucks and for recovery of medium-light vehicles on tires.



CE
EN 14492-1

ZHC 1450

PULLING CAPACITY	1.450 Kgs	[3.200 Lbs]
WORKING PRESSURE	130 Bar	[1,885 Psi]
WIRE ROPE DIA.	8 mm	[-]
MAX. ROPE CAPACITY	19 Mt	[62,3 Ft]
MAX. SPEED LINE (first layer)	8,1 Mt/Min	[26,6 Ft/Min]
MAX. OIL SUPPLY	40 Lt/Min	[10,57 GPM]



FEATURES

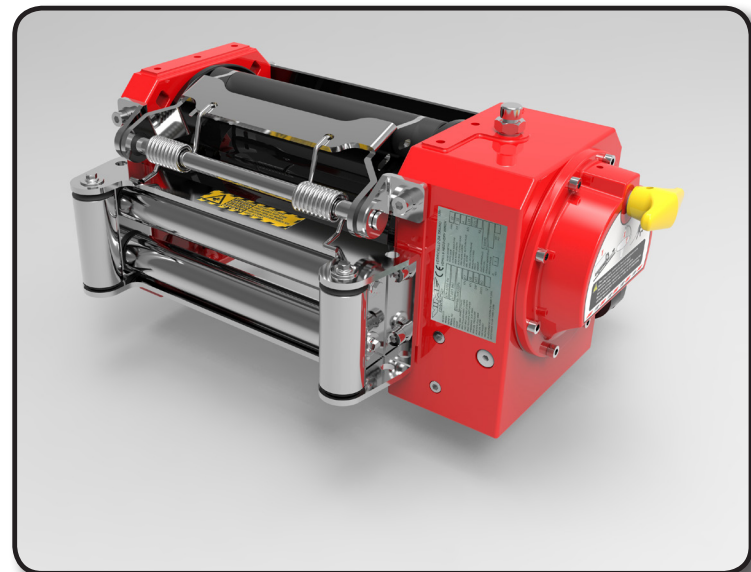
- TOUGH**
The special aluminium alloy bronze gear match to an hardened steel ground polished worm
- VERSATILE MOUNTING**
Designed for either foot or side mounting
- LIGHT AND STRONG**
Body manufactured from hardened, special aluminium castings reduced weight and increased strength
Powder coat finished
- BRAKE**
Worm gear provides load reversing protection
- DRUM SIZE AVAILABLE**
Short: 160 mm (6.3 inch) for ZHC
Long: 240 mm (9.4 inch) for ZHL
- TOTALLY OIL COOLED**
Worm and gear in oil bath, give best performance and extending parts life



CE
EN 14492-1

ZHL 1450

PULLING CAPACITY	1.450 Kgs	[3.200 Lbs]
WORKING PRESSURE	130 Bar	[1,885 Psi]
WIRE ROPE DIA.	8 mm	[-]
MAX. ROPE CAPACITY	29 Mt	[95,1 Ft]
MAX. SPEED LINE (first layer)	8,1 Mt/Min	[26,6 Ft]
MAX. OIL SUPPLY	40 Lt/Min	[10,57 GPM]



ACCESSORIES :

- Zinc plated Heavy-duty roller fairlead
- Zinc plated Cable tensioner

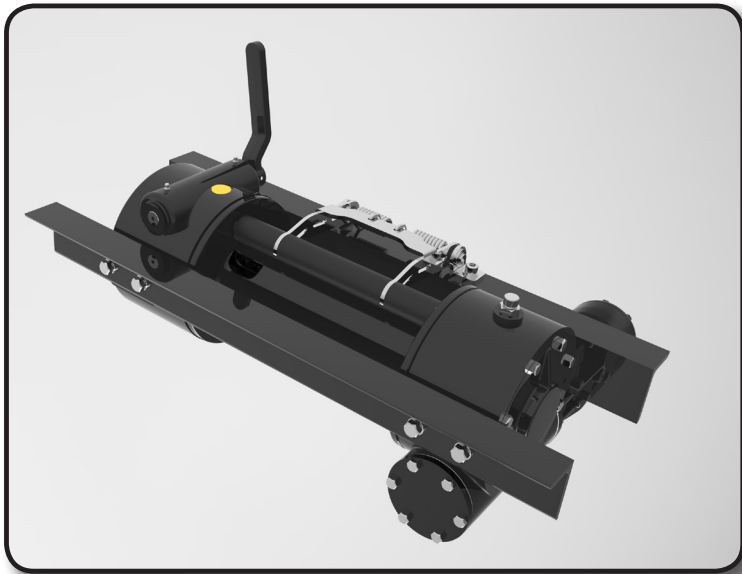
 **WARNING**
Do not use winch to lift support or transport personnel.

RH WORM GEAR WINCHES

Models RH are hydraulic worm gear winches. Designed for extend life and gives best safety duty. These winches are built according with higher safety standards in compliance with Directive Machinery 2006/42/CE EN 14492-1. The special aluminium alloy bronze gear match to an hardened steel ground polished worm. Worm gear provides load reversing protection. Can be mounted on tow-trucks and for medium-heavy duty truck carrier applications.



RNH 4400



FEATURES

- TOUGH**
The special aluminium alloy bronze gear match to an hardened steel ground polished worm
- LOW MOUNTING**
Its particular design, make it proper for front end or rear vehicles mounting
- LIGHT AND STRONG**
Body manufactured from hardened special aluminium castings, reducing weight and increasing strength
Powder coat finished
- BRAKE**
Worm gear provides load reversing protection
- DRUM SIZE AVAILABLE**
Length:295,5 mm (11.6 inch) for RNH - RSH - RCH
drum flange diameter:200 mm (7,9 inch) for RNH
drum flange diameter:267,5 mm (10,5 inch) for RSH - RCH
- TOTALLY OIL COOLED**
Worm and gear in oil bath, give best performance and extending parts life

PULLING CAPACITY	4.400 Kgs	[9.700 Lbs]
WORKING PRESSURE	140 Bar	[2,031 Psi]
WIRE ROPE DIA.	10 mm	
MAX. ROPE CAPACITY	48 Mt	[157,5 Ft]
MAX. SPEED LINE (first layer)	4,9 Mt/Min	[16,1 Ft/Min]
MAX. OIL SUPPLY	60 Lt/Min	[15,85 GPM]

- ACCESSORIES :**
- Zinc plated Standard or Heavy-duty roller fairlead
 - Zinc plated Cable tensioner
 - Air clutch shifter - drum free spooling

WARNING
Do not use winch to lift support or transport personnel.

RH WORM GEAR WINCHES

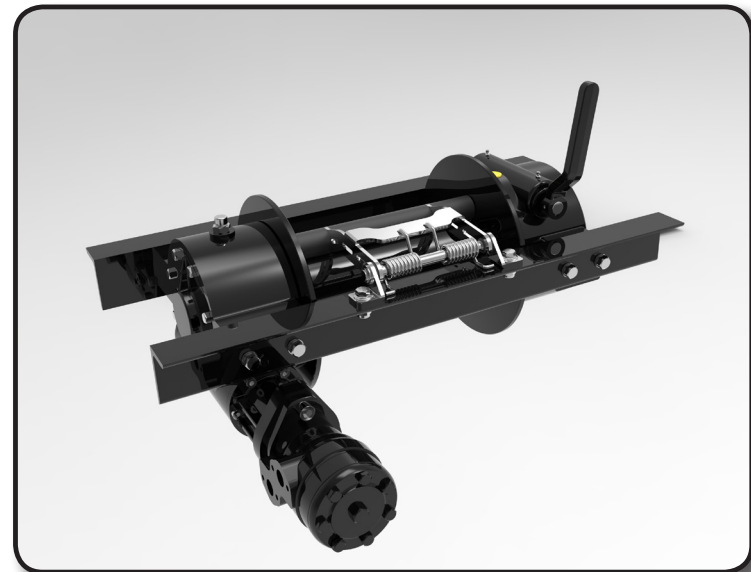
Models RH are hydraulic worm gear winches. Designed for extend life and gives best safety duty. These winches are built according with higher safety standards in compliance with Directive Machinery 2006/42/CE EN 14492-1. The special aluminium alloy bronze gear match to an hardened steel ground polished worm. Worm gear provides load reversing protection. Can be mounted on tow-trucks and for medium-heavy duty truck carrier applications.



CE
EN 14492-1

RSH 4500

PULLING CAPACITY	4.500 Kgs	[10.000 Lbs]
WORKING PRESSURE	150 Bar	[2,176 Psi]
WIRE ROPE DIA.	11 mm	[-]
MAX. ROPE CAPACITY	81 Mt	[265,7 Ft]
MAX. SPEED LINE (first layer)	5,3 Mt/Min	[17,4 Ft/Min]
MAX. OIL SUPPLY	60 Lt/Min	[15,85 GPM]



FEATURES

- TOUGH**
The special aluminium alloy bronze gear match to an hardened steel ground polished worm
- LOW MOUNTING**
Its particular design, make it proper for front end or rear vehicles mounting
- LIGHT AND STRONG**
Body manufactured from hardened special aluminium castings, reducing weight and increasing strength
Powder coat finished
- BRAKE**
Worm gear provides load reversing protection
- DRUM SIZE AVAILABLE**
Length:295,5 mm (11.6 inch) for RNH - RSH - RCH
drum flange diameter:200 mm (7,9 inch) for RNH
drum flange diameter:267,5 mm (10,5 inch) for RSH - RCH
- TOTALLY OIL COOLED**
Worm and gear in oil bath, give best performance and extending parts life

ACCESSORIES :

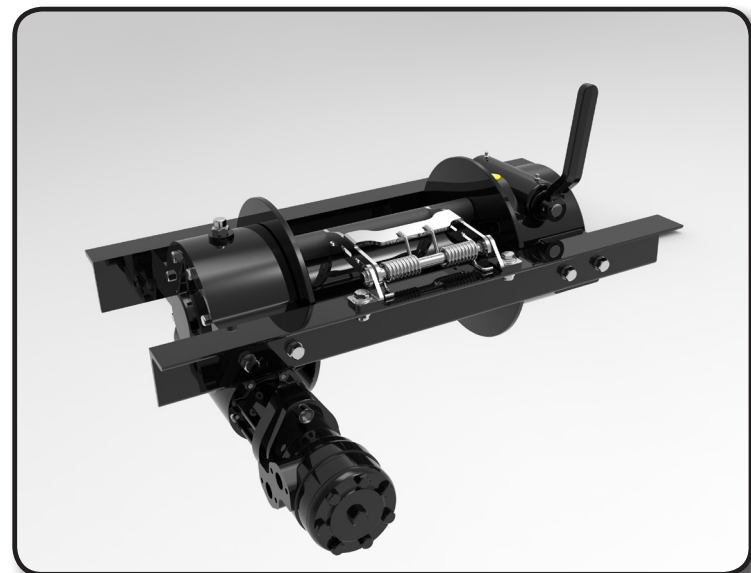
- Zinc plated Standard or Heavy-duty roller fairlead
- Zinc plated Cable tensioner
- Air clutch shifter - drum free spooling



CE
EN 14492-1

RSH 5250

PULLING CAPACITY	5.250 Kgs	[11.574 Lbs]
WORKING PRESSURE	140 Bar	[2,031 Psi]
WIRE ROPE DIA.	11 mm	[-]
MAX. ROPE CAPACITY	81 Mt	[265,7 Ft]
MAX. SPEED LINE (first layer)	4,3 Mt/Min	[14,1 Ft]
MAX. OIL SUPPLY	60 Lt/Min	[15,85 GPM]



WARNING

Do not use winch to lift support or transport personnel.

RH WORM GEAR WINCHES

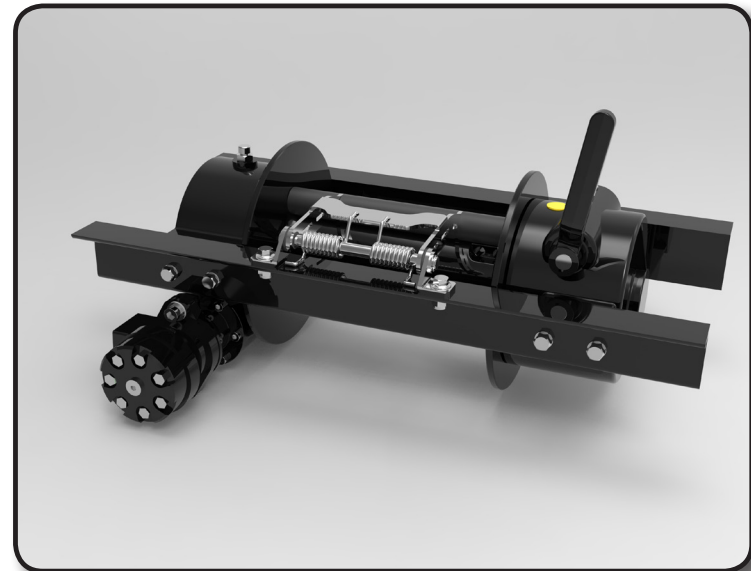
Models RH are hydraulic worm gear winches. Designed for extend life and gives best safety duty. These winches are built according with higher safety standards in compliance with Directive Machinery 2006/42/CE EN 14492-1. The special aluminium alloy bronze gear match to an hardened steel ground polished worm. Worm gear provides load reversing protection. Can be mounted on tow-trucks and for medium-heavy duty truck carrier applications.



CE
EN 14492-1

RCH 4500

PULLING CAPACITY	4.500 Kgs	[10.000 Lbs]
WORKING PRESSURE	130 Bar	[1,885 Psi]
WIRE ROPE DIA.	11 mm	[-]
MAX. ROPE CAPACITY	81 Mt	[265,7 Ft]
MAX. SPEED LINE (first layer)	4,3 Mt/Min	[14,1 Ft]
MAX. OIL SUPPLY	60 Lt/Min	[15,85 GPM]



FEATURES

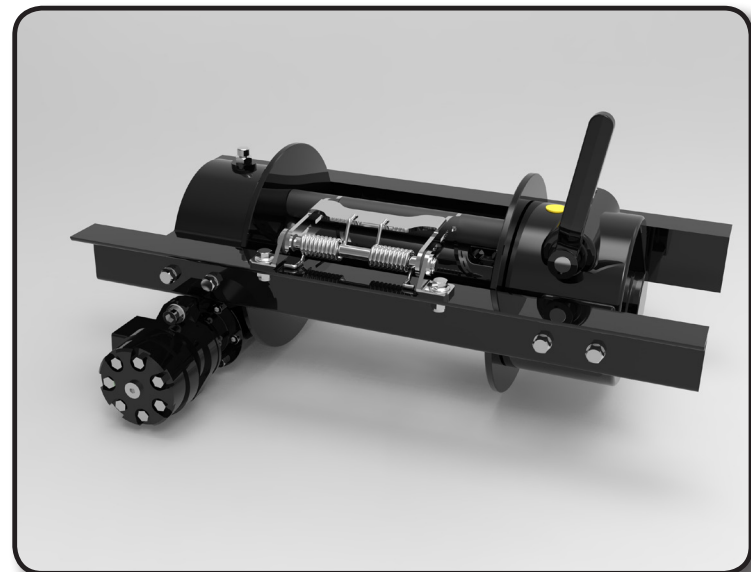
- TOUGH**
The special aluminium alloy bronze gear match to an hardened steel ground polished worm
- LOW MOUNTING**
Its particular design, make it proper for front end or rear vehicles mounting
- LIGHT AND STRONG**
Body manufactured from hardened special aluminium castings, reducing weight and increasing strength
Powder coat finished
- BRAKE**
Worm gear provides load reversing protection
- DRUM SIZE AVAILABLE**
Length:295,5 mm (11.6 inch) for RNH - RSH - RCH
drum flange diameter:200 mm (7,9 inch) for RNH
drum flange diameter:267,5 mm (10,5 inch) for RSH - RCH
- TOTALLY OIL COOLED**
Worm and gear in oil bath, give best performance and extending parts life



CE
EN 14492-1

RCH 5250

PULLING CAPACITY	5.250 Kgs	[11.574 Lbs]
WORKING PRESSURE	160 Bar	[2,321 Psi]
WIRE ROPE DIA.	11 mm	[-]
MAX. ROPE CAPACITY	81 Mt	[265,7 Ft]
MAX. SPEED LINE (first layer)	4,3 Mt/Min	[14,1 Ft]
MAX. OIL SUPPLY	60 Lt/Min	[15,85 GPM]



ACCESSORIES :

- Zinc plated Standard or Heavy-duty roller fairlead
- Zinc plated Cable tensioner
- Air clutch shifter - drum free spooling



WARNING

Do not use winch to lift support or transport personnel.

MH WORM GEAR WINCHES

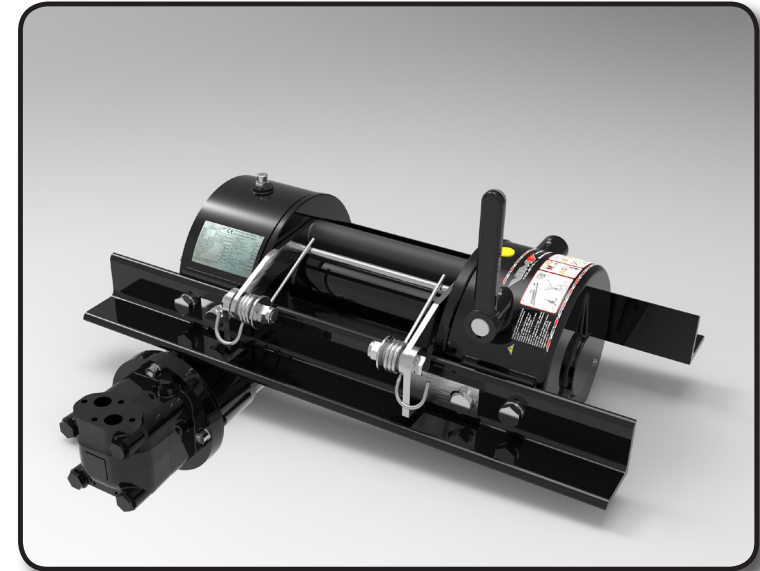
Models MH are hydraulic worm gear winches. Designed for extend life and gives best safety duty. These winches are built according with higher safety standards in compliance with Directive Machinery 2006/42/CE EN 14492-1. The special aluminium alloy bronze gear match to an hardened steel ground polished worm. Worm gear provides load reversing protection. Can be mounted on tow-trucks and for medium-heavy duty truck carrier applications.



CE
EN 14492-1

MH 7850

PULLING CAPACITY	7.850 Kgs	[17.306 Lbs]
WORKING PRESSURE	150 Bar	[2,176 Psi]
WIRE ROPE DIA.	13 mm	[-]
MAX. ROPE CAPACITY	58 Mt	[190,3 Ft]
MAX. SPEED LINE (first layer)	4,6 Mt/Min	[15,1 Ft/Min]
MAX. OIL SUPPLY	100 Lt/Min	[26,42 GPM]



FEATURES

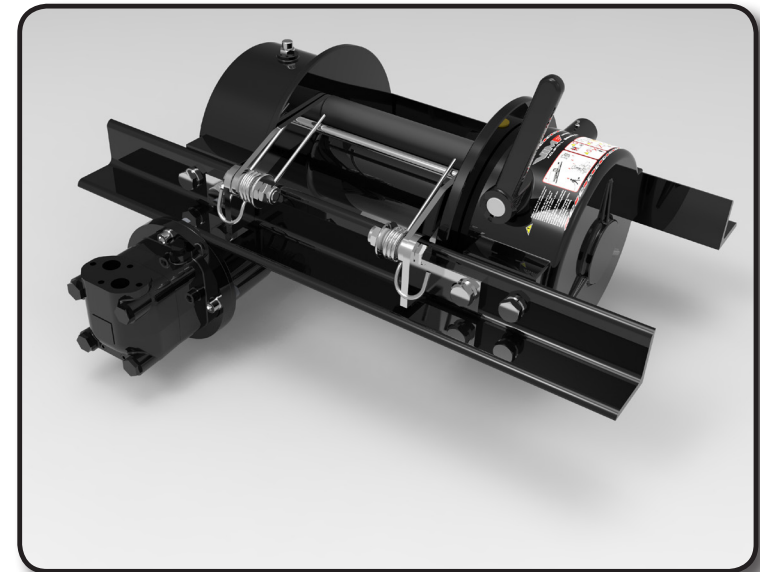
- TOUGH**
The special aluminium alloy bronze gear match to an hardened steel ground polished worm
- LOW MOUNTING**
Its particular design, make it proper for front end or rear vehicles mounting
- LIGHT AND STRONG**
Body manufactured from hardened special aluminium castings, reducing weight and increasing strength
Powder coat finished
- BRAKE**
Worm gear provides load reversing protection
- DRUM SIZE AVAILABLE**
Standard Length: 278 mm (10.9 inch) for MH
Standard Length: 278 mm (10.9 inch) for MHS
drum flange diameter: 273 mm (10,7 inch) for MH
drum flange diameter: 330 mm (13,0 inch) for MHS
- TOTALLY OIL COOLED**
Worm and gear in oil bath, give best performance and extending parts life



CE
EN 14492-1

MHS 8000

PULLING CAPACITY	8.000 Kgs	[17.637 Lbs]
WORKING PRESSURE	160 Bar	[2,321 Psi]
WIRE ROPE DIA.	14 mm	[-]
MAX. ROPE CAPACITY	70 Mt	[229,7 Ft]
MAX. SPEED LINE (first layer)	5,0 Mt/Min	[16,4 Ft/Min]
MAX. OIL SUPPLY	100 Lt/Min	[26,42 GPM]



WARNING

Do not use winch to lift support or transport personnel.

WH WORM GEAR WINCHES

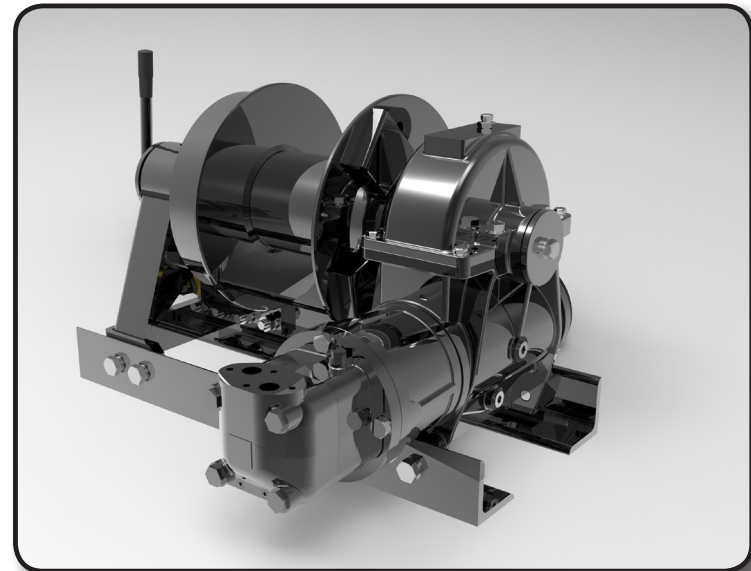
Models WH are hydraulic worm gear winches. Designed for extend life and gives best safety duty. These winches are built according with higher safety standards in compliance with Directive Machinery 2006/42/CE EN 14492-1. The special aluminium alloy bronze gear match to an hardened steel ground polished worm. Worm gear provides load reversing protection. Can be mounted for heavy duty truck carrier applications.



CE
EN 14492-1

WHC 15000

PULLING CAPACITY	15.000 Kgs	[33.069 Lbs]
WORKING PRESSURE	150 Bar	[2,176 Psi]
WIRE ROPE DIA.	19 mm	[-]
MAX. ROPE CAPACITY	34 Mt	[111,5 Ft]
MAX. SPEED LINE (first layer)	5,4 Mt/Min	[17,7 Ft/Min]
MAX. OIL SUPPLY	160 Lt/Min	[42,27 GPM]



FEATURES

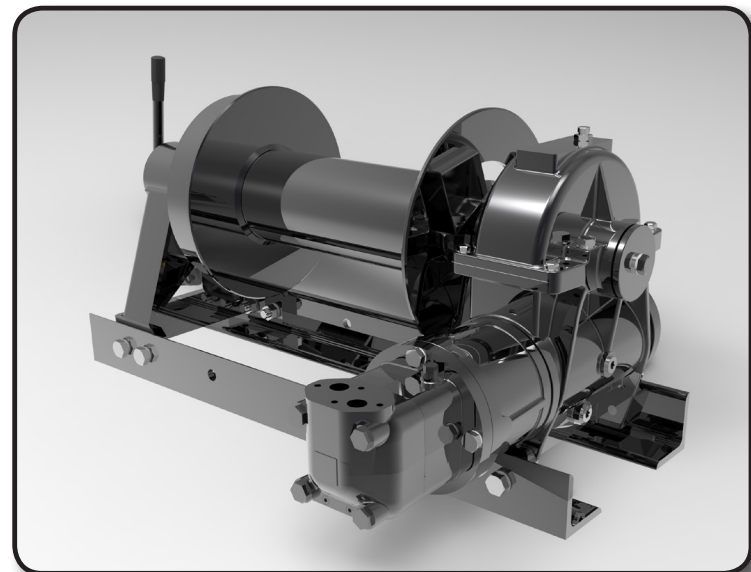
- TOUGH**
The special aluminium alloy bronze gear match to an hardened steel ground polished worm
- UPRIGHT MOUNTING**
Its particular design, make it proper for rear vehicles mounting
- STRONG**
Body manufactured from hardened iron casting, for higher resistance
- BRAKE**
Worm gear provides load reversing protection
- DRUM SIZE AVAILABLE**
Short: 230 mm (9.1 inch) for WHC
Long: 465 mm (18.3 inch) for WHL
- TOTALLY OIL COOLED**
Worm and gear in oil bath, give best performance and extending parts life



CE
EN 14492-1

WHL 15000

PULLING CAPACITY	15.000 Kgs	[33.069 Lbs]
WORKING PRESSURE	150 Bar	[2,176 Psi]
WIRE ROPE DIA.	19 mm	[-]
MAX. ROPE CAPACITY	72 Mt	[236,2 Ft]
MAX. SPEED LINE (first layer)	5,4 Mt/Min	[17,7 Ft/Min]
MAX. OIL SUPPLY	160 Lt/Min	[42,27 GPM]



ACCESSORIES :

- Zinc plated Heavy-duty roller fairlead
- Zinc plated Cable tensioner
- Air clutch shifter - drum free spooling

 **WARNING**
Do not use winch to lift support or transport personnel.

NH-PH WORM GEAR WINCHES

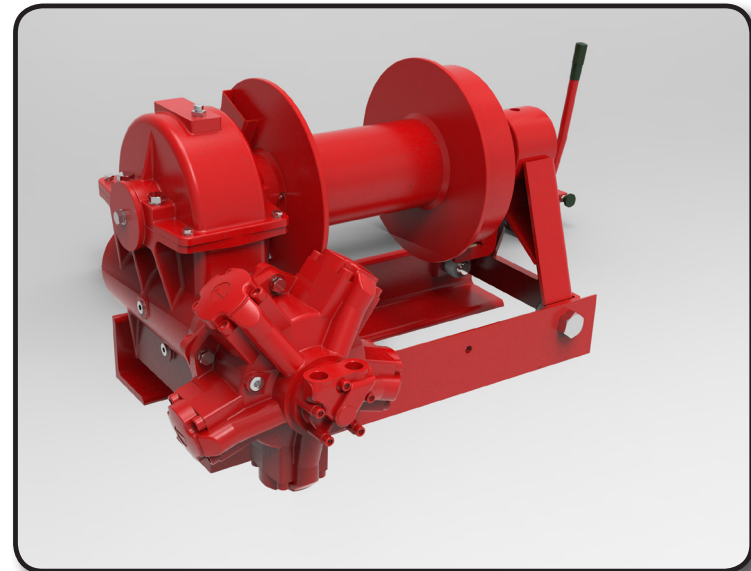
Models NH and PH are hydraulic worm gear winches. Designed for extend life and gives best safety duty. These winches are built according with higher safety standards in compliance with Directive Machinery 2006/42/CE EN 14492-1. The special aluminium alloy bronze gear match to an hardened steel ground polished worm. Worm gear provides load reversing protection. Can be mounted for heavy duty truck carrier applications.



CE
EN 14492-1

NH 20000

PULLING CAPACITY	20.000 Kgs	[44.092 Lbs]
WORKING PRESSURE	180 Bar	[2,611 Psi]
WIRE ROPE DIA.	20 mm	[-]
MAX. ROPE CAPACITY	83 Mt	[272,3 Ft]
MAX. SPEED LINE (first layer)	5,3 Mt/Min	[17,4 Ft/Min]
MAX. OIL SUPPLY	198 Lt/Min	[52,31 GPM]



FEATURES

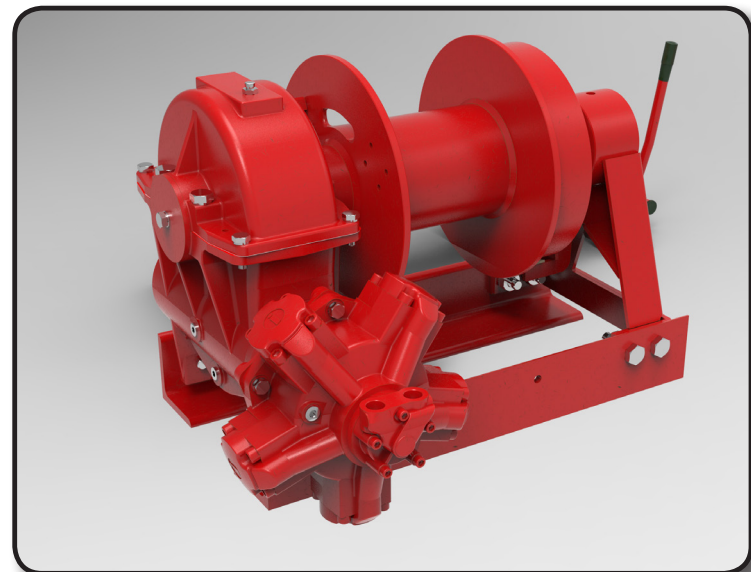
- TOUGH**
The special aluminium alloy bronze gear match to an hardened steel ground polished worm
- UPRIGHT MOUNTING**
Its particular design, make it proper for rear vehicles mounting
- STRONG**
Body manufactured from hardened iron casting, for higher resistance
- BRAKE**
Worm gear provides load reversing protection
- DRUM SIZE AVAILABLE**
Standard: 380 mm (15.0 inch) for NH
Standard: 320 mm (12.6 inch) for PH
- TOTALLY OIL COOLED**
Worm and gear in oil bath, give best performance and extending parts life



CE
EN 14492-1

PH 30000

PULLING CAPACITY	30.000 Kgs	[66.139 Lbs]
WORKING PRESSURE	200 Bar	[2,901 Psi]
WIRE ROPE DIA.	26 mm	[-]
MAX. ROPE CAPACITY	47 Mt	[154,2 Ft]
MAX. SPEED LINE (first layer)	4,1 Mt/Min	[13,5 Ft/Min]
MAX. OIL SUPPLY	198 Lt/Min	[52,31 GPM]



ACCESSORIES :

- Zinc plated Heavy-duty roller fairlead
- Zinc plated Cable tensioner
- Air clutch shifter - drum free spooling



WARNING

Do not use winch to lift support or transport personnel.



V.I.M.E. srl Via Gramsci,15 40050 Funo Bologna Italy Tel. +39 051 861362 Fax +39 051 861961
E-mail: info@vimeindustrial.com / Web site: www.vimeindustrial.it - www.vimeindustrial.com