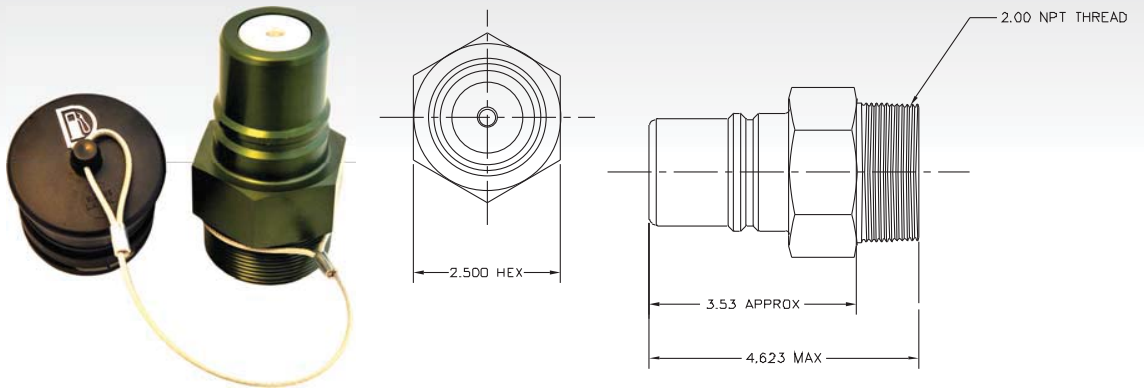


Fuel Receivers

ZN2A



► Data Table

| Receiver | Application | Poppet Color |
|----------|--|--------------|
| ZN2A | Standard for most applications and mountings | Clear |
| ZN2B | has a light spring to avoid premature shutoff when head pressure is higher than normal | Blue |
| ZN2D | has a heavy spring to avoid overfilling the tank when head pressure is lower than normal | Red |
| ZNC2A | Same as ZN2 with cap | |

ZNC3L

Pressurized flush mount bolt-on receiver with full coupling



ZNC4L

Pressurized flush mount weld-on receiver with full coupling

