

# SECTION A



## ELASTIC MOUNTING KIT FOR GASOLINE ENGINE

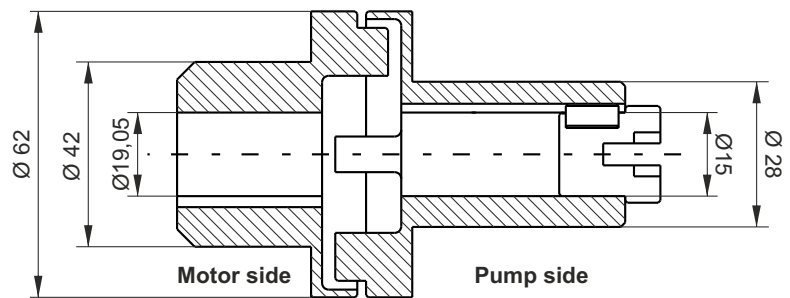


**NEW**

Kit weight: 1,9 Kg

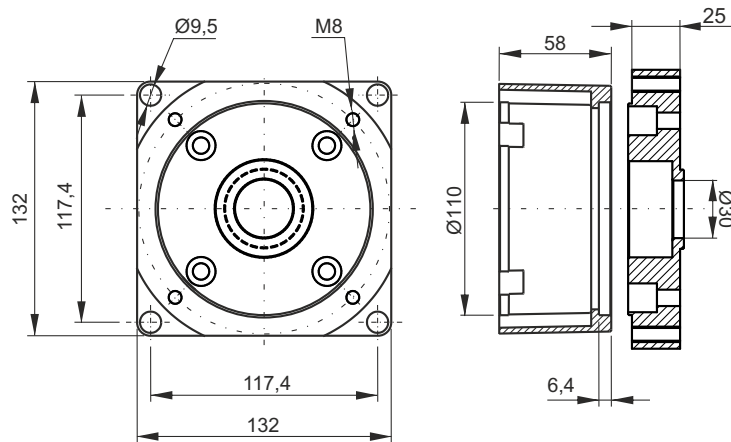
### Elastic coupling

Elastic coupling **T54001010** Weight: 0,34 Kg



### Adaptor flanges

Adaptor flange **FTE270000** Weight: 1,56 Kg



Description	Assembly code*	Spare part code
Elastic coupling	<b>XB14E GE</b>	<b>T54001010</b>
Gasoline engine adaptor kit flange		<b>FTE270000</b>

This elastic mounting kit for gasoline engine can be used also for other types of engine. For example:

- Honda GTX with Q shaft
- Kohler with 3/4" shaft
- Yanmar with E-D L48N shaft
- Yamaha with PTO type A and M. face A shaft
- Subaru with 3/4" shaft

\* Note: The coupling+flange kit is already included when specifying a B14 motor in PPC assembly code. XB14GE code has to be indicated only when ordering PPC with no motor but with coupling+flange kit. For increase IP protection degree with B14 flanges you can add the optional bracket code MP001.

**Attention!** When assembling frame B14 motors with XB14 flange+coupling kit, please respect positioning tolerances as per top drawing. Failure to do so can cause malfunctioning or component failure.