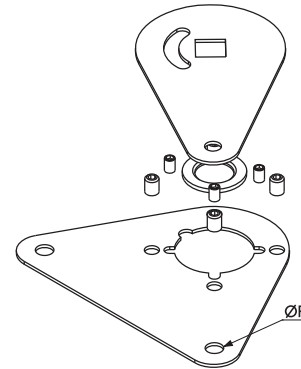


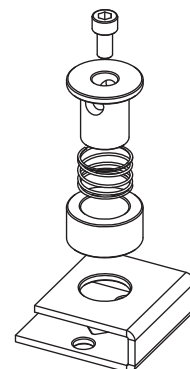
+ Locking device

www.gemels.it



LKR FOR GR

TYPE	DN	SW	ØF	MATERIAL	TREATMENT	WEIGHT Kg	KIT CODE
LKR13	13	9	9,5	CARBON STEEL	GALVANIZED	0,1	KOK00LKR132Z
LKR13	13	9	9,5	STAINLESS STEEL	-	0,1	KOK00LKR136H
LKR20	20-25	14	9,5	CARBON STEEL	GALVANIZED	0,18	KOK00LKR202Z
LKR20	20-25	14	9,5	STAINLESS STEEL	-	0,18	KOK00LKR206H
LKR32	32-40-50	17	9,5	CARBON STEEL	GALVANIZED	0,34	KOK00LKR322Z
LKR32	32-40-50	17	9,5	STAINLESS STEEL	-	0,34	KOK00LKR326H
LKR65	65-80	19	9,5	CARBON STEEL	GALVANIZED	0,55	KOK00LKR652Z
LKR65	65-80	19	9,5	STAINLESS STEEL	-	0,55	KOK00LKR656H
LKR100	100	24	9,5	CARBON STEEL	GALVANIZED	1,08	KOK00LKR1002Z
LKR100	100	24	9,5	STAINLESS STEEL	-	1,08	KOK00LKR1006H



SECURITY BLOCK FOR GE - GB - GHP - GPK - G3/4K

TYPE	DN	SW	ØF	MATERIAL	TREATMENT	WEIGHT Kg	KIT CODE
SB6	6-10-13	9	CARBON STEEL	GALVANIZED	0,066	KOB00SB61Z	KOK00LK6U2Z
SB20	20-25	14	CARBON STEEL	GALVANIZED	0,221	KOB00SB201Z	KOK00LK20U2Z
SB32	32-40-50	17	CARBON STEEL	GALVANIZED	0,24	KOB00SB321Z	KOK00LK32U2Z