

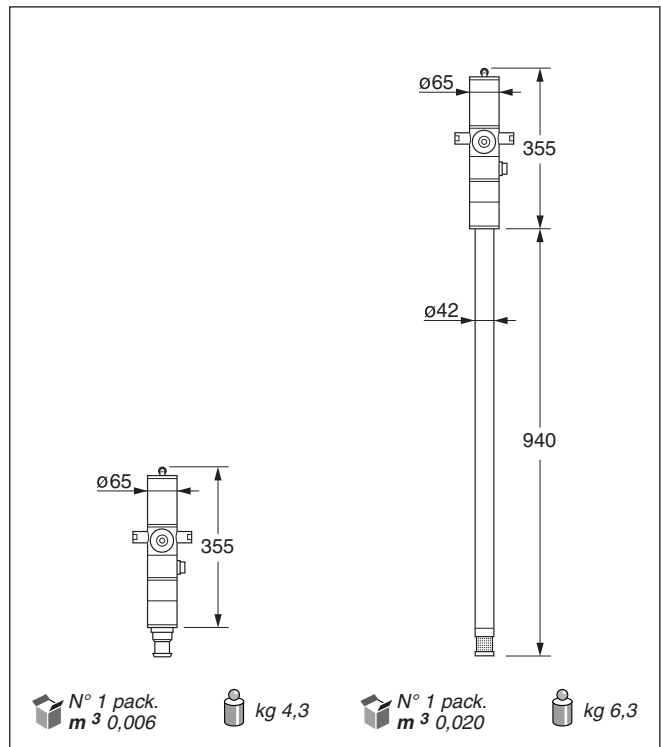
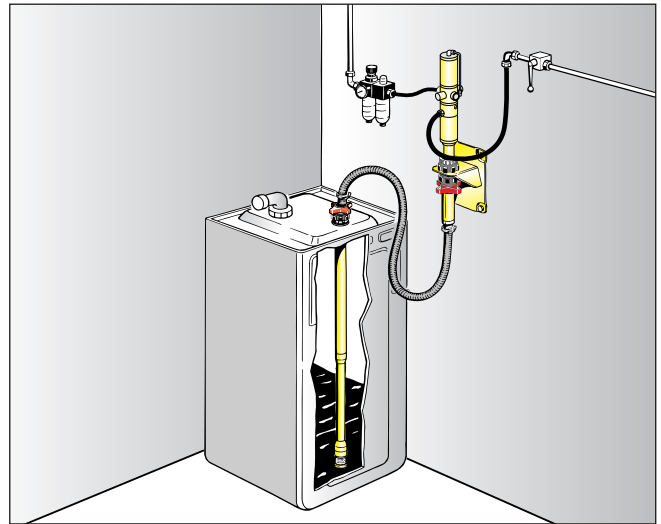
Ratio 1:1
Capacity 23 l/min



art. 0E33060



0E33094



ARTICLE	0E33060	0E33094
Suitable for	oil, lubricant and similar products	oil, lubricant and similar products
Gaskets	teflon	teflon
Suction tube upper body	aluminium	aluminium
Suction tube	carbon steel	carbon steel
Inlet air connection	F 1/4" G	F 1/4" G
Outlet fluid connection	F 1/2" G	F 1/2" G
Suitable for drums of	modular / wall mounted	kg 180/220
Suction tube diameter	wall mounted	ø 42
Air consumption (8 bar)	230 l/min	230 l/min
Noise level	80 dB	80 dB
Max air pressure	8 bar	8 bar
Max viscosity oil delivered	80 SAE	80 SAE