

SHORT STROKE CYLINDERS  
VERINS COURSE COURT  
CILINDRI CORSA BREVE



Airwork short stroke Cylinders are engineered to guarantee good performances in very reduced spaces. They are available in different version: double acting and through rod. The body has grooves for the installation of sensors.

Les vérins course brève série CD fabriqués par AIRWORK garantissent de bonnes performances et un faible encombrement.

Il existe nombreuses versions compris: double effet simple effet et tige traversante. La rainure du corps permet d'y faire glisser un capteur.

I cilindri corsa breve, sono stati realizzati per garantire buone prestazioni in spazi molto ridotti. Sono disponibili numerose versioni tra cui: doppio effetto e con stelo passante. Sul corpo dei cilindri sono ricavate delle cave dove si alloggiavano i sensori.

ORDERING CODE / CODIFICATION / CHIAVE DI CODIFICA

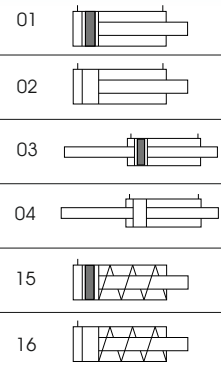
CD 00,1 0,000,000

- Stroke / Course / Corsa
- Ø cylinder / Ø vérin / Ø cilindro
- 1 = Female rod / Tige femelle / Stelo femmina
- 2 = Male rod / Tige male / Stelo maschio

VERSIONE - VERSION

- 01=Double acting magnetic / Double effet magnétique / Doppio effetto magnetico
- 02=Double acting no magnetic / Double effet non magnétique / Doppio effetto non magnetico
- 03=Through rod magnetic / Tige traversante magnétique / Stelo passante magnetico
- 04=Through rod no magnetic / Tige traversante non magnétique / Stelo passante non magnetico
- 15=Single acting front spring magnetic / Simple effet tige rentrée magnétique / Semplice effetto molla anteriore magnetico
- 16=Single acting front spring no magnetic / Simple effet tige rentrée non magnétique / Semplice effetto molla anteriore non magnetico

VERSION / VERSION / VERSION



STANDARD STROKES / COURSE STANDARD / CORSE STANDARD

Double acting - Double effet - Doppio effetto

Ø16	mm 5-10-15-20-25-30
Ø20	mm 5-10-15-20-25-30-35-40-45-50
Ø25	mm 5-10-15-20-25-30-35-40-45-50
Ø32	mm 5-10-15-20-25-30-35-40-45-50-75-100
Ø40	mm 5-10-15-20-25-30-35-40-45-50-75-100
Ø50	mm 10-15-20-25-30-35-40-45-50-75-100
Ø63	mm 10-15-20-25-30-35-40-45-50-75-100
Ø80	mm 10-15-20-25-30-35-40-45-50-75-100
Ø100	mm 10-15-20-25-30-35-40-45-50-75-100

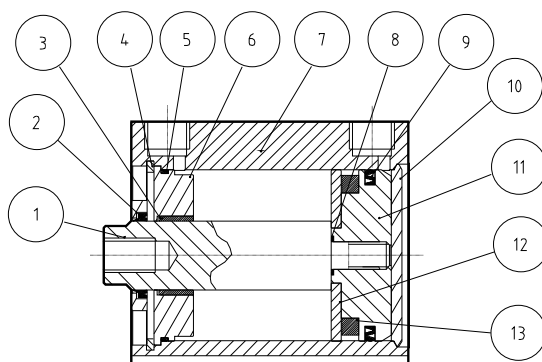
Simple acting - Simple effet - Semplice effetto

Ø16	mm 5-10
Ø20	mm 5-10
Ø25	mm 5-10
Ø32	mm 5-10
Ø40	mm 5-10
Ø50	mm 10-20

TECHNICAL DATA / DONNÉES TECHNIQUES / DATI TECNICI

Fluid / Fluide / Fluido	Lubricated or non lubricated air / Air avec ou sans lubrification / Aria con o senza lubrificazione
Operating temperature range / Température d'utilisation / Temperatura di esercizio	-20C° / +80C°
Max operating pressure / Pression max d'utilisation / Pressione massima di esercizio	10 bar
Force / Force / Forze sviluppate -	Technical informations page / Page informations techniques / Pagina dati tecnici
Air consumption / Consommation d'air / Consumo aria	Technical informations page / Page informations techniques / Pagina dati tecnici

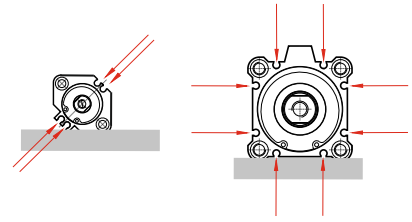
COMPONENTS / COMPOSANTS / COMPONENTI



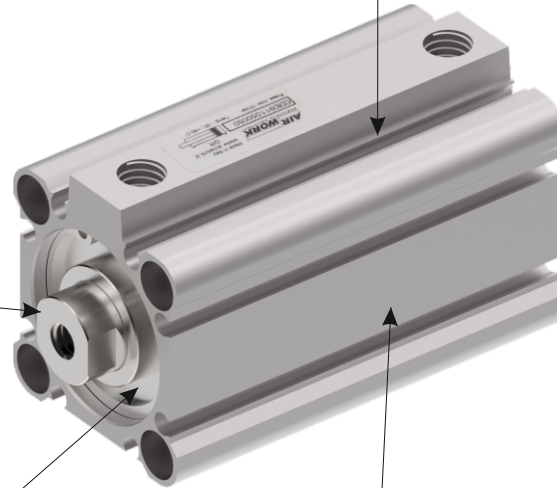
pos.	description / description / descrizione	material / matériel / materiale
1	rod / tige / stelo	steel C 40 chromed / acier C40 chromé / acciaio C40 cromato
2	rod seal / joints tige / guarnizione stelo	polyurethane / polyuréthane / poliuretano
3	guide bush / bague guidage / bussola guida	steel + PTFE / inox + PTFE / acciaio + PTFE
4	seeger ring / seeger / anello seeger	steel / acier / acciaio
5	o-ring / joint torique / o-ring	NBR
6	front cap / fond antérieur / testata anteriore	aluminium / aluminium / alluminio
7	body / corps / corpo	aluminium / aluminium / alluminio
8	o-ring / joint torique / o-ring	NBR
9	piston seal / joints piston / guarnizione pist.	polyurethane / polyuréthane / poliuretano
10	rear cap / fond postérieur / testata post.	aluminium / aluminium / alluminio
11	piston / piston / pistone	aluminium / aluminium / alluminio
12	piston disk / disque piston / piattello pistone	aluminium / aluminium / alluminio
13	magnet / aimant / magnete	plastroferrite

Rod diameter increased  
Diamètre de la tige augmenté  
Diametro stelo maggiorato

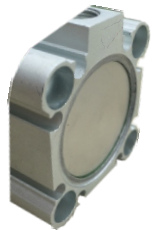
Sensors can be mounted on all sides.  
possibilité d'installation du capteur sur tous les côtés  
possibilità di inserimento sensore su tutti i lati



Front head treated with anti-wear abrasion.  
Tête avant, traité anti-usure.  
Testata anteriore con trattata antiusura.



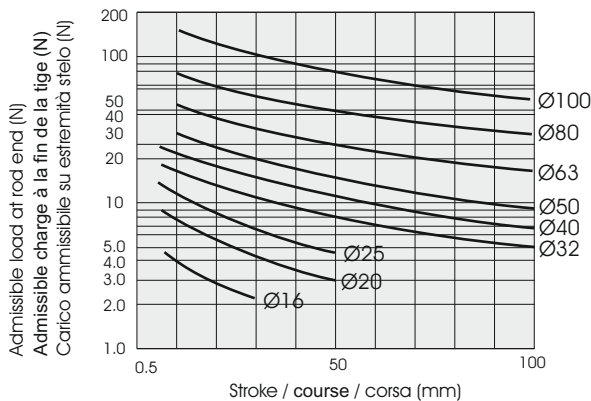
Highly compact dimensions thanks to a system of the rear head mounting.  
Dimensions très compactes grâce à un système du montage de tête arrière.  
Dimensioni molto contenute grazie ad un sistema di pressatura del fondello posteriore



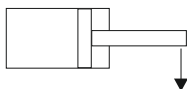
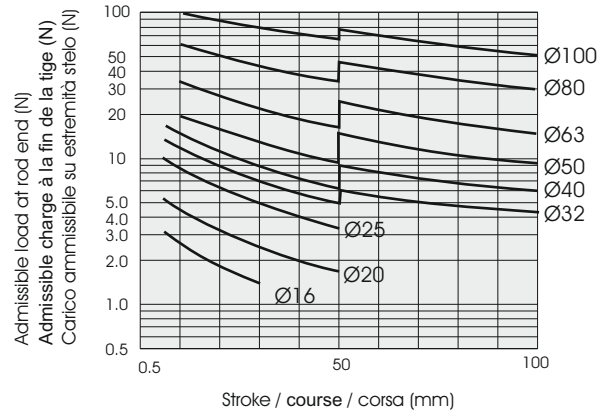
Rod seal and piston seal low friction type.  
Joint tige et piston à faible friction.  
Guarnizione stelo e pistone a basso attrito.

ADMISSIBLE LOAD / CHARGE ADMISSIBLE / CARICO AMMISSIBILE

Magnetic / Magnétique / Magnetico

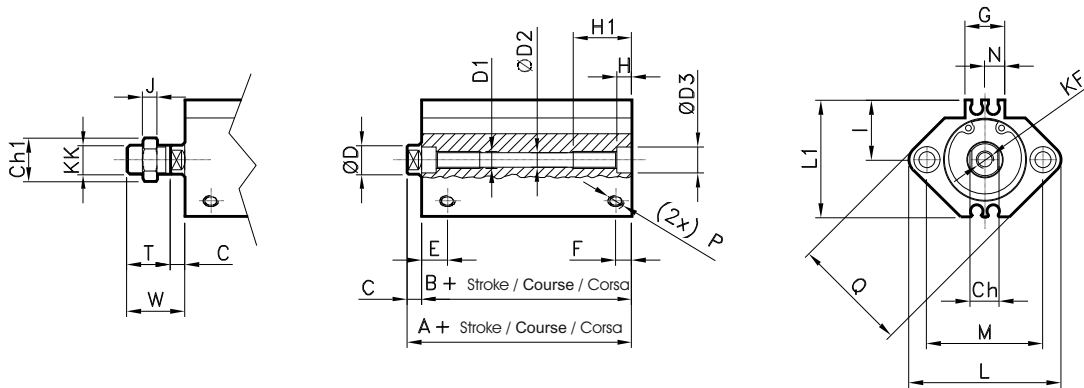
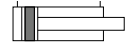


No magnetic / No magnétique / Non magnetico

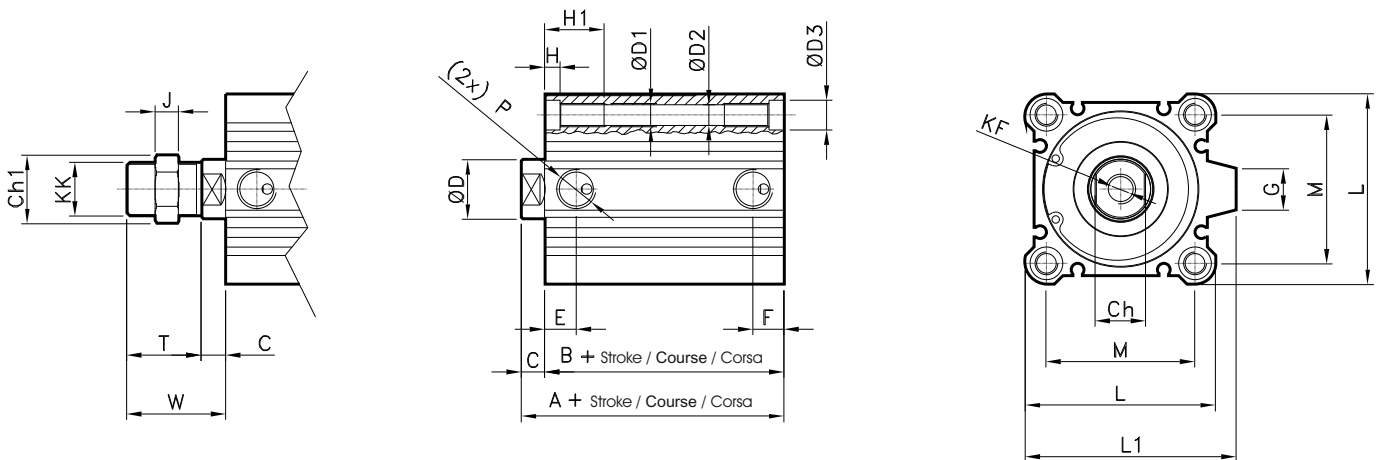


Double acting magnetic / Double effet magnétique / Doppio effetto magnetico

CODE: CD0111.Ø.mm



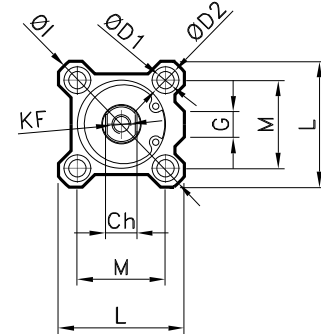
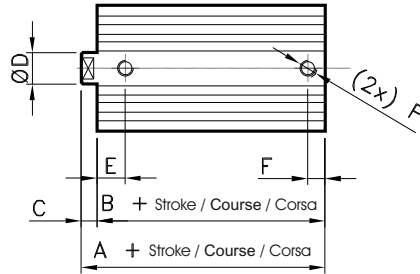
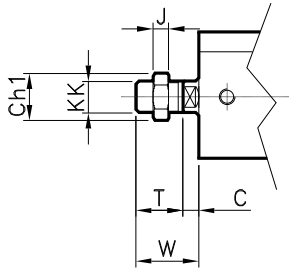
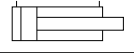
Ø	A	B	C	Ch	Ch1	ØD f7	ØD1	ØD2	ØD3	E	F	G	H	H1	I	J	KF	KK	L	L1	M	N	P	Q	T	W
16	34	30.5	3.5	6	10	8	M4	3.5	6.5	10	5.5	13.2	3.5	11	15	5	M4	M6	37	29.5	28	6.6	M5	29	12	15.5
20	36	31.5	4.5	8	13	10	M6	5.5	9	8	5.5	13.6	7	17	18	6	M5	M8	47	35.5	36	6.8	M5	36	14	18.5
25	37.5	32.5	5	10	17	12	M6	5.5	9	9	5.5	13.6	7	17	21	6	M6	M10x1.25	52	40.5	40	6.8	M5	40	17.5	22.5



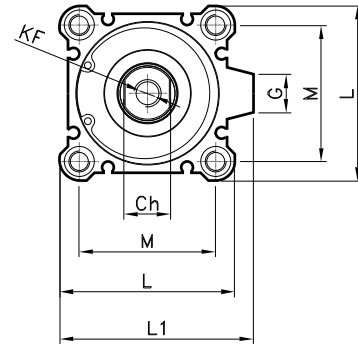
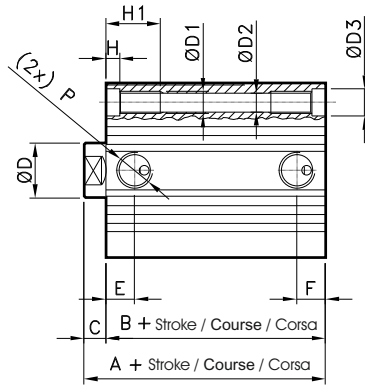
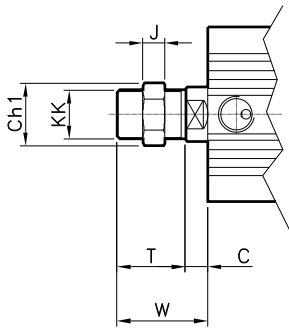
Ø	A	B	C	Ch	Ch1	ØD	ØD1	ØD2	ØD3	E	F	G	H	H1	J	KF	KK	L	L1	M	P	T	W
32	40	33	7	14	22	16	M6	5.5	9	10	7.5	14	7	17	8	M8	M14x1.5	45	49.5	34	1/8	23.5	28.5
40	46.5	39.5	7	14	22	16	M6	5.5	9	12.5	7.5	15	7	17	8	M8	M14x1.5	52	57	40	1/8	23.5	28.5
50	48.5	40.5	8	17	27	20	M8	6.6	11	10.5	10.5	19	8	22	11	M10	M18x1.5	64	71	50	1/4	28.5	33.5
63	54	46	8	17	27	20	M10	9	14	15	10.5	19	10.5	28.5	11	M10	M18x1.5	77	84	60	1/4	28.5	33.5
80	63.5	53.5	10	22	32	25	M12	11	17.5	16	12.5	25	13.5	35.5	13	M16	M22x1.5	98	104	77	3/8	35.5	43.5
100	75	63	12	27	36	30	M12	11	17.5	23	13	25	13.5	35.5	16	M20	M26x1.5	117	123.5	94	3/8	35.5	43.5

Double acting no magnetic / Double effet non magnétique / Doppio effetto non magnetico

CODE: CD0211.Ø.mm



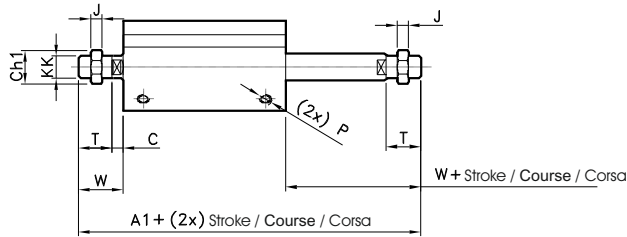
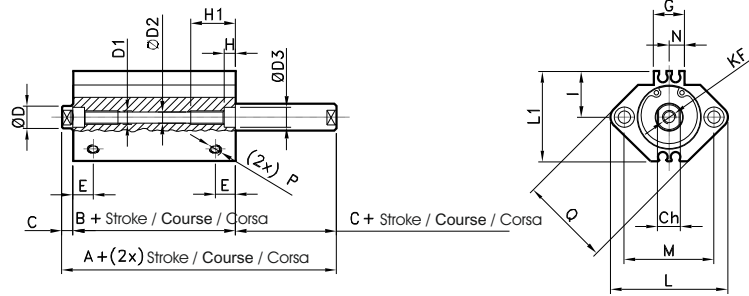
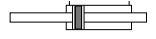
Ø	A	B	C	Ch	Ch1	ØD f7	ØD1	ØD2	E	F	G	I	J	KF	KK	L	M	P	T	W
16	22	18.5	3.5	6	10	8	3.5	6.5x3.5	8	5.5	11	38	5	M4	M6	29	20	M5	12	15.5
20	24	19.5	4.5	8	13	10	5.5	9x7	8	5.5	11	47	6	M5	M8	36	25.5	M5	14	18.5
25	27.5	22.5	5	10	17	12	5.5	9x7	9	5.5	11	52	6	M6	M10x1.25	40	28	M5	17.5	22.5



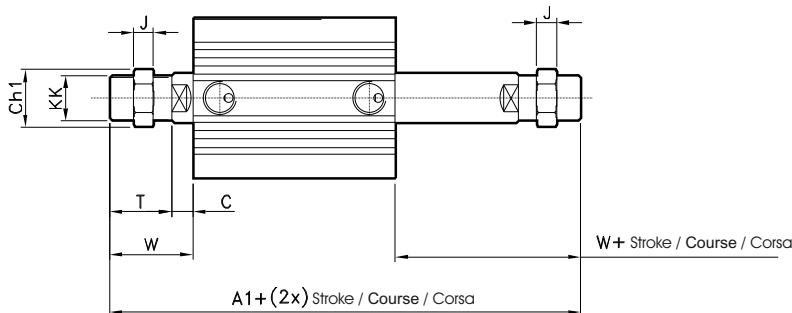
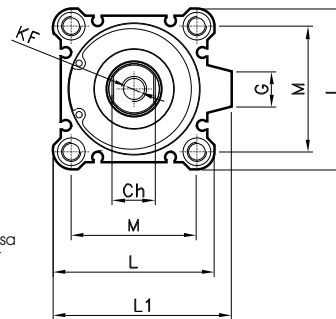
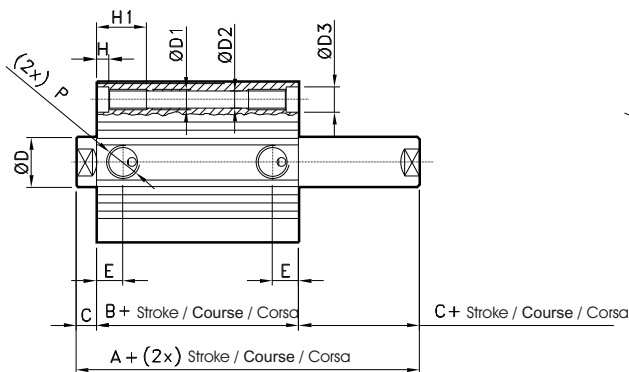
Ø	A		B		C	Ch	Ch1	ØD	ØD1	ØD2	ØD3	E	F	G	H	H1	J	KF	KK	L	L1	M	P	T	W
	(Stroke / Course / Corsa)	(Stroke / Course / Corsa)	(Stroke / Course / Corsa)	(Stroke / Course / Corsa)																					
32	30 (5±50)	46 (75±100)	23 (5±50)	33 (75±100)	7	14	22	16	M6	5.5	9	10	7.5	14	7	17	8	M8	M14x1.5	45	49.5	34	1/8	23.5	28.5
40	36.5 (5±50)	46.5 (75±100)	29.5 (5±50)	39.5 (75±100)	7	14	22	16	M6	5.5	9	12.5	7.5	15	7	17	8	M8	M14x1.5	52	57	40	1/8	23.5	28.5
50	38.5 (10±50)	48.5 (75±100)	30.5 (10±50)	40.5 (75±100)	8	17	27	20	M8	6.6	11	10.5	10.5	19	8	22	11	M10	M18x1.5	64	71	50	1/4	28.5	33.5
63	44 (10±50)	54 (75±100)	36 (10±50)	46 (75±100)	8	17	27	20	M10	9	14	15	10.5	19	10.5	28.5	11	M10	M18x1.5	77	84	60	1/4	28.5	33.5
80	53.5 (10±50)	63.5 (75±100)	43.5 (10±50)	53.5 (75±100)	10	22	32	25	M12	11	17.5	16	12.5	25	13.5	35.5	13	M16	M22x1.5	98	104	77	3/8	35.5	43.5
100	65 (10±50)	75 (75±100)	53 (10±50)	63 (75±100)	12	27	36	30	M12	11	17.5	23	13	25	13.5	35.5	16	M20	M26x1.5	117	123.5	94	3/8	35.5	43.5

Through rod magnetic / Tige traversante magnétique / Stelo passante magnetico

CODE: CD0311.Ø.mm



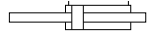
Ø	A	B	C	Ch	Ch1	ØD f7	ØD1	ØD2	ØD3	E	G	H	H1	I	J	KF	KK	L	L1	M	N	P	Q	T	W
16	43	36	3.5	6	10	8	M4	3.5	6.5	10	13.2	3.5	11	15	5	M4	M6	37	29.5	28	6.6	M5	29	12	15.5
20	47	38	4.5	8	13	10	M6	5.5	9	8	13.6	7	17	18	6	M5	M8	47	35.5	36	6.8	M5	36	14	18.5
25	49	39	5	10	17	12	M6	5.5	9	9	13.6	7	17	21	6	M6	M10x1.25	52	40.5	40	6.8	M5	40	17.5	22.5



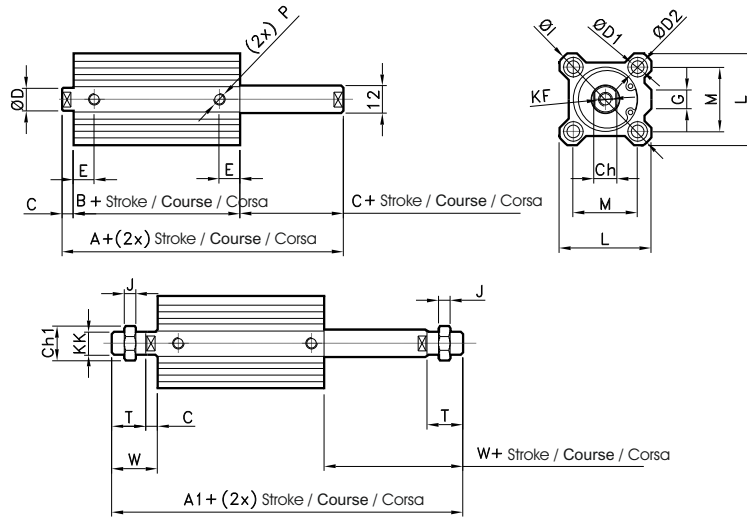
Ø	A	A1	B	C	Ch	Ch1	ØD	ØD1	ØD2	ØD3	E	G	H	H1	J	KF	KK	L	L1	M	P	T	W
32	54.5	97.5	40.5	7	14	22	16	M6	5.5	9	10	14	7	17	8	M8	M14x1.5	45	49.5	34	1/8	23.5	28.5
40	64	107	50	7	14	22	16	M6	5.5	9	12.5	15	7	17	8	M8	M14x1.5	52	57	40	1/8	23.5	28.5
50	66.5	117.5	50.5	8	17	27	20	M8	6.6	11	10.5	19	8	22	11	M10	M18x1.5	64	71	50	1/4	28.5	33.5
63	68	119	52	8	17	27	20	M10	9	14	15	19	10.5	28.5	11	M10	M18x1.5	77	84	60	1/4	28.5	33.5
80	81	148	61	10	22	32	25	M12	11	17.5	16	25	13.5	35.5	13	M16	M22x1.5	98	104	77	3/8	35.5	43.5
100	94.5	157.5	70.5	12	27	36	30	M12	11	17.5	23	25	13.5	35.5	16	M20	M26x1.5	117	123.5	94	3/8	35.5	43.5

SHORT STROKE CYLINDERS  
VERINS COURSE BREVE / CILINDRI CORSA BREVE

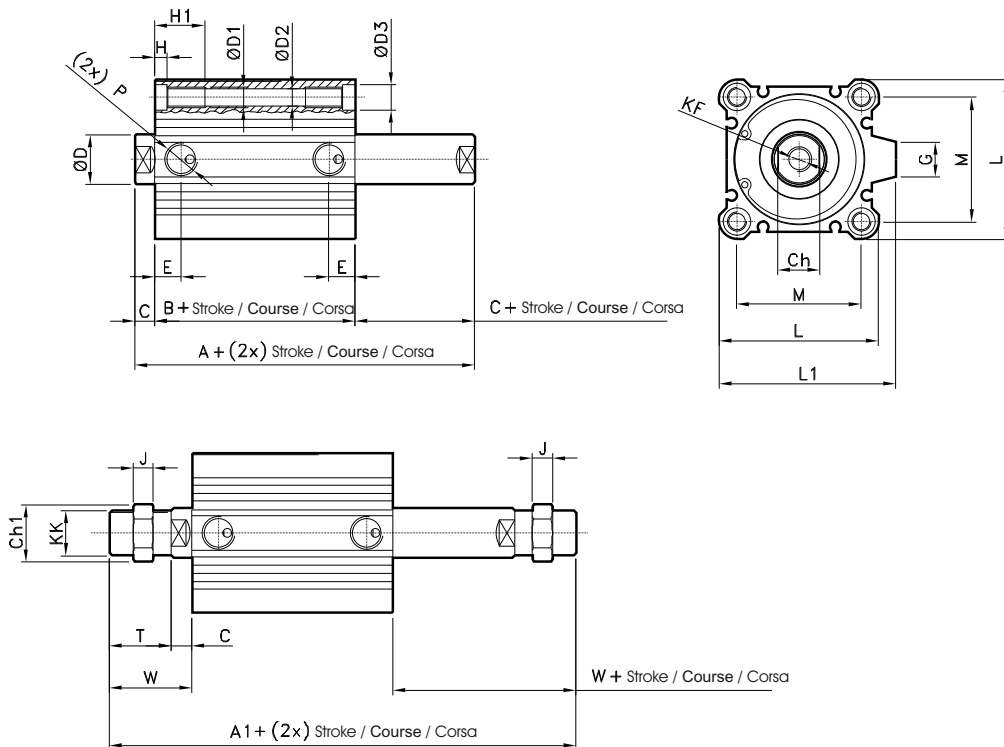
Actuators / Actionneurs / Attuatori



Through rod no magnetic / Tige traversante non magnétique / Stelo passante nonmagnetico



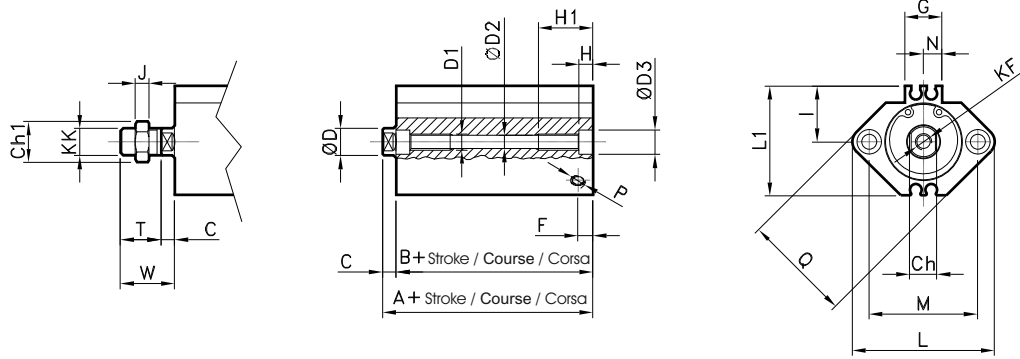
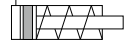
Ø	A	A1	B	C	Ch	Ch1	ØD f7	ØD1	ØD2	E	G	I	J	KF	KK	L	M	P	T	W
16	33	57	26	3.5	6	10	8	3.5	6.5x3.5	10	11	38	5	M4	M6	29	20	M5	12	15.5
20	35	63	26	4.5	8	13	10	5.5	9x7	8	11	47	6	M5	M8	36	25.5	M5	14	18.5
25	39	74	29	5	10	17	12	5.5	9x7	9	11	52	6	M6	M10x1.25	40	28	M5	17.5	22.5



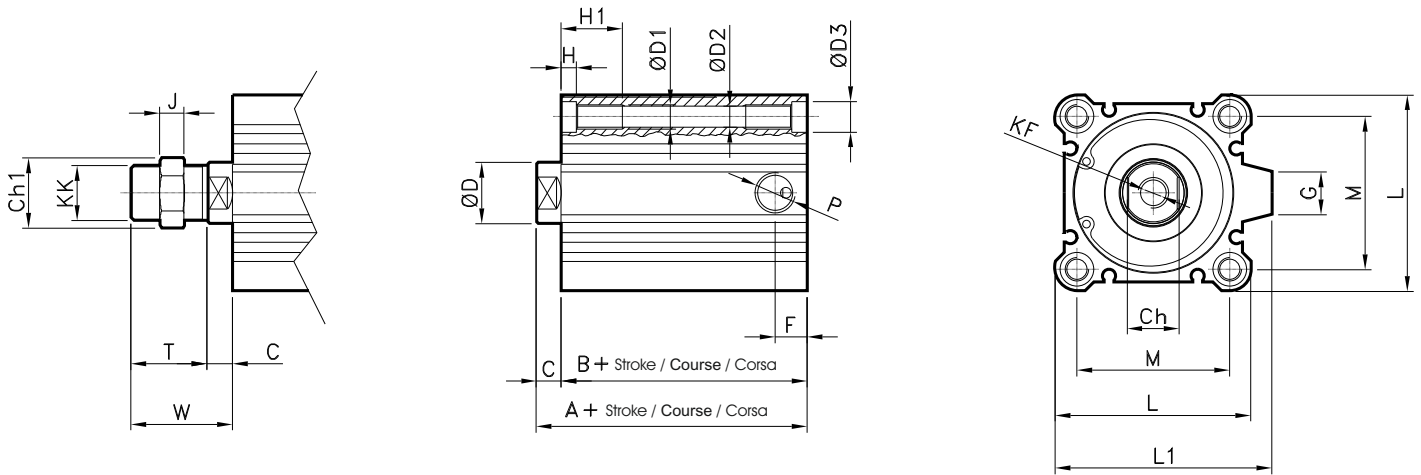
Ø	A		A1		B		C	Ch	Ch1	ØD	ØD1	ØD2	ØD3	E	G	H	H1	J	KF	KK	L	L1	M	P	T	W
	(Stroke / Course / Corsa)	(Stroke / Course / Corsa)	(Stroke / Course / Corsa)	(Stroke / Course / Corsa)	(Stroke / Course / Corsa)	(Stroke / Course / Corsa)																				
32	44.5	54.5	87.5	97.5	30.5	40.5	7	14	22	16	M6	5.5	9	10	14	7	17	8	M8	M14x1.5	45	49.5	34	1/8	23.5	28.5
	(5÷50)	(75÷100)	(5÷50)	(75÷100)	(5÷50)	(75÷100)																				
40	54	64	97	107	40	50	7	14	22	16	M6	5.5	9	12.5	15	7	17	8	M8	M14x1.5	52	57	40	1/8	23.5	28.5
	(5÷50)	(75÷100)	(5÷50)	(75÷100)	(5÷50)	(75÷100)																				
50	56.5	66.5	107.5	117.5	40.5	50.5	8	17	27	20	M8	6.6	11	10.5	19	8	22	11	M10	M18x1.5	64	71	50	1/4	28.5	33.5
	(10÷50)	(75÷100)	(10÷50)	(75÷100)	(10÷50)	(75÷100)																				
63	58	68	109	119	42	52	8	17	27	20	M10	9	14	15	19	10.5	28.5	11	M10	M18x1.5	77	84	60	1/4	28.5	33.5
	(10÷50)	(75÷100)	(10÷50)	(75÷100)	(10÷50)	(75÷100)																				
80	71	81	138	148	51	61	10	22	32	25	M12	11	17.5	16	25	13.5	35.5	13	M16	M22x1.5	98	104	77	3/8	35.5	43.5
	(10÷50)	(75÷100)	(10÷50)	(75÷100)	(10÷50)	(75÷100)																				
100	84.5	94.5	147.5	157.5	60.5	70.5	12	27	36	30	M12	11	17.5	23	25	13.5	35.5	16	M20	M26x1.5	117	123.5	94	3/8	35.5	43.5
	(10÷50)	(75÷100)	(10÷50)	(75÷100)	(10÷50)	(75÷100)																				

Simple acting magnetic / Simple effet magnétique / Semplice effetto magnetico

CODE: CD1511.Ø.mm



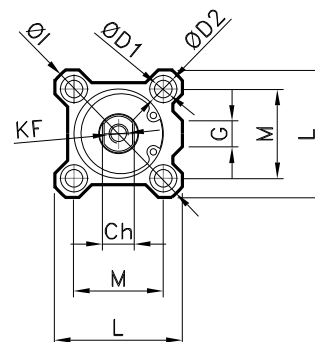
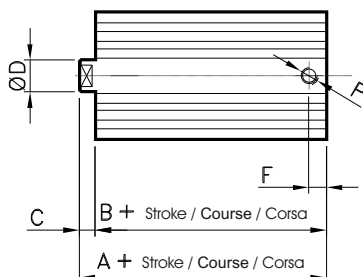
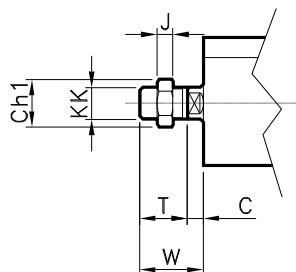
Ø	A	B	C	Ch	Ch1	ØD f7	ØD1	ØD2	ØD3	F	G	H	H1	I	J	KF	KK	L	L1	M	N	P	Q	T	W
16	34	30.5	3.5	6	10	8	M4	3.5	6.5	5.5	13.2	3.5	11	15	5	M4	M6	37	29.5	28	6.6	M5	29	12	15.5
20	36	31.5	4.5	8	13	10	M6	5.5	9	5.5	13.6	7	17	18	6	M5	M8	47	35.5	36	6.8	M5	36	14	18.5
25	37.5	32.5	5	10	17	12	M6	5.5	9	5.5	13.6	7	17	21	6	M6	M10x1.25	52	40.5	40	6.8	M5	40	17.5	22.5



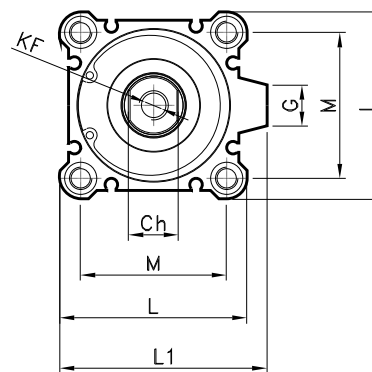
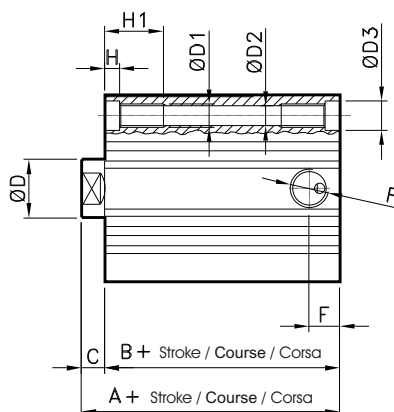
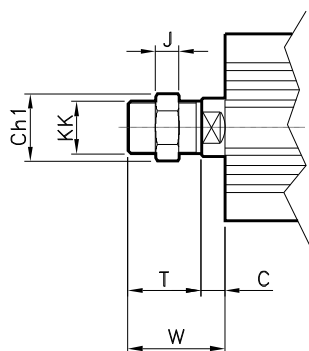
Ø	A	B	C	Ch	Ch1	ØD	ØD1	ØD2	ØD3	F	G	H	H1	J	KF	KK	L	L1	M	P	T	W
32	40	33	7	14	22	16	M6	5.5	9	7.5	14	7	17	8	M8	M14x1.5	45	49.5	34	1/8	23.5	28.5
40	46.5	39.5	7	14	22	16	M6	5.5	9	7.5	15	7	17	8	M8	M14x1.5	52	57	40	1/8	23.5	28.5
50	48.5	40.5	8	17	27	20	M8	6.6	11	10.5	19	8	22	11	M10	M18x1.5	64	71	50	1/4	28.5	33.5

Simple acting no magnetic / Simple effet non magnétique / Semplice effetto nonmagnetico

CODE: CD1611.Ø.mm

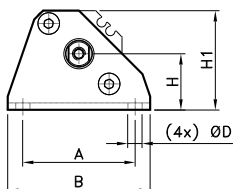
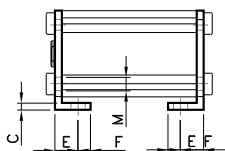
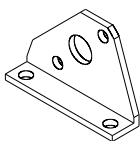
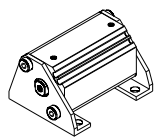


Ø	A	B	C	Ch	Ch1	ØD f7	ØD1	ØD2	E	G	I	J	KF	KK	L	M	P	T	W
16	22	18.5	3.5	6	10	8	3.5	6.5x3.5	8	11	38	5	M4	M6	29	20	M5	12	15.5
20	24	19.5	4.5	8	13	10	5.5	9x7	8	11	47	6	M5	M8	36	25.5	M5	14	18.5
25	27.5	22.5	5	10	17	12	5.5	9x7	9	11	52	6	M6	M10x1.25	40	28	M5	17.5	22.5



Ø	A	B	C	Ch	Ch1	ØD	ØD1	ØD2	ØD3	E	F	G	H	H1	J	KF	KK	L	L1	M	P	T	W
32	30	23	7	14	22	16	M6	5.5	9	10	7.5	14	7	17	8	M8	M14x1.5	45	49.5	34	1/8	23.5	28.5
40	36.5	29.5	7	14	22	16	M6	5.5	9	12.5	7.5	15	7	17	8	M8	M14x1.5	52	57	40	1/8	23.5	28.5
50	38.5	30.5	8	17	27	20	M8	6.6	11	10.5	10.5	19	8	22	11	M10	M18x1.5	64	71	50	1/4	28.5	33.5





PEDESTAL / EQUERRE / PIEDINO

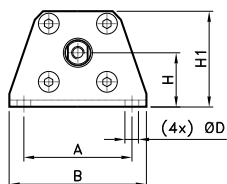
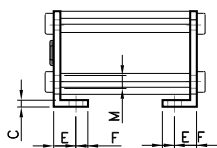
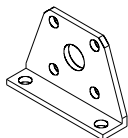
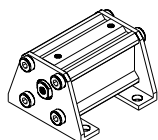
with screws for fixing, add "V"  
example: AR4304025V

CODE	Ø
AR4304016	16
AR4304020	20
AR4304025	25

avec vis ajouter "V"  
exemple : AR4304025V

con viti di fissaggio, aggiungere "V"  
esempio: AR4304025V

Ø	A	B	C	ØD	E	F	H	H1	M (vite/screw)
16	38	48	2	4.5	8	5	19	33.5	M4
20	48	62	3.2	6.6	9.2	5.8	24	42	M6
25	52	66	3.2	6.6	10.7	5.8	26	46	M6



PEDESTAL / EQUERRE / PIEDINO

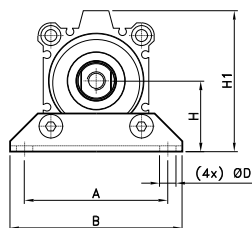
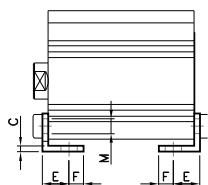
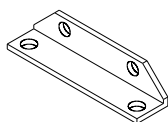
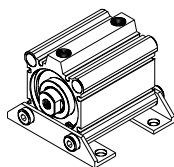
with screws for fixing, add "V"  
example: AR4305025V

CODE	Ø
AR4305016	16
AR4305020	20
AR4305025	25

avec vis ajouter "V"  
exemple : AR4305025V

con viti di fissaggio, aggiungere "V"  
esempio: AR4305025V

Ø	A	B	C	ØD	E	F	H	H1	M (vite/screw)
16	38	48	2	4.5	8	5	19	33.5	M4
20	48	62	3.2	6.6	9.2	5.8	24	42	M6
25	52	66	3.2	6.6	10.7	5.8	26	46	M6



PEDESTAL / EQUERRE / PIEDINO

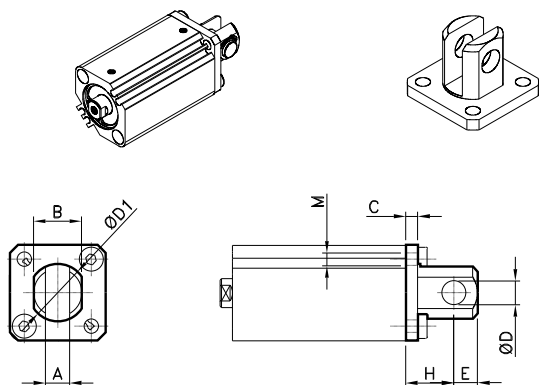
with screws for fixing, add "V"  
example: AR4304032V

CODE	Ø
AR4304032	32
AR4304040	40
AR4304050	50
AR4304063	63
AR4304080	80
AR4304100	100

avec vis ajouter "V"  
exemple : AR4304032V

con viti di fissaggio, aggiungere "V"  
esempio: AR4304032V

Ø	A	B	C	ØD	E	F	H	H1	M (vite/screw)
32	57	71	3.2	6.6	11.2	5.8	30	57	M6
40	64	78	3.2	6.6	11.2	7	33	64	M6
50	79	95	3.2	9	14.7	8	39	78	M8
63	95	113	3.2	11	16.2	9	46	91.5	M10
80	118	140	4.5	13	19.5	11	59	114	M12
100	137	162	6	13	23	12.5	71	136	M12



FEMALE HINGE  
CHAPE ARRIERE FEMELLE  
CERNIERA FEMMINA

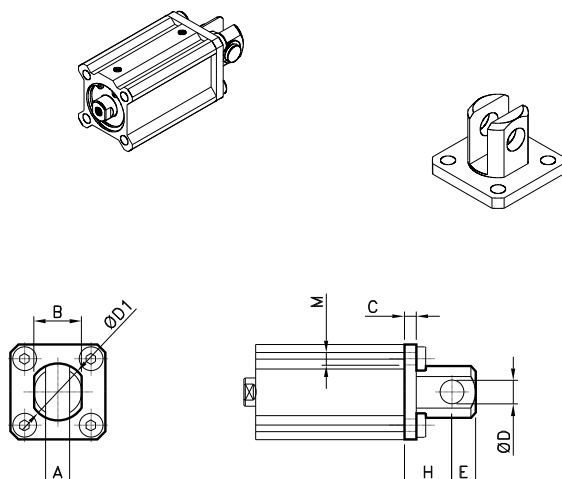
with screws for fixing, add "V"  
example: AR4306025V

avec vis ajouter "V"  
exemple : AR4306025V

con viti di fissaggio, aggiungere "V"  
esempio: AR4306025V

CODE	Ø
AR4306016	16
AR4306020	20
AR4306025	25

Ø	A	B	C	ØD H10	ØD1	E	H	M (vite/screw)
16	6.5	12	4	5	14	6	15	M4
20	8	16	5	8	20	9	18	M6
25	10	20	5	10	24	10	20	M6



FEMALE HINGE  
CHAPE ARRIERE FEMELLE  
CERNIERA FEMMINA

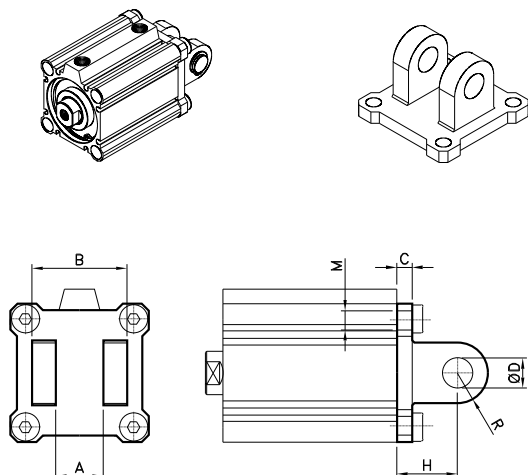
with screws for fixing, add "V"  
example: AR4306025V

avec vis ajouter "V"  
exemple : AR4306025V

con viti di fissaggio, aggiungere "V"  
esempio: AR4306025V

CODE	Ø
AR4306016	16
AR4306020	20
AR4306025	25

Ø	A	B	C	ØD H10	ØD1	E	H	M (vite/screw)
16	6.5	12	4	5	14	6	15	M4
20	8	16	5	8	20	9	18	M6
25	10	20	5	10	24	10	20	M6



FEMALE HINGE  
CHAPE ARRIERE FEMELLE  
CERNIERA FEMMINA

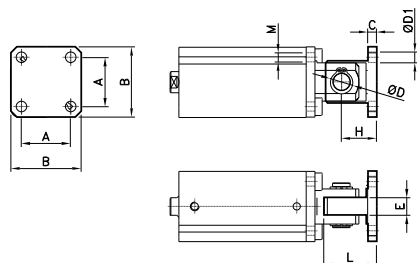
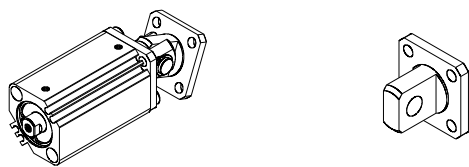
with screws for fixing, add "V"  
example: AR4306032V

avec vis ajouter "V"  
exemple : AR4306032V

con viti di fissaggio, aggiungere "V"  
esempio: AR4306032V

CODE	Ø
AR4306032	32
AR4306040	40
AR4306050	50
AR4306063	63
AR4306080	80
AR4306100	100

Ø	A	B	C	ØD H10	H	M (vite/screw)	R
32	18	36	5	10	20	M6	10
40	18	36	6	10	22	M6	10
50	22	44	7	14	28	M8	14
63	22	44	8	14	30	M10	14
80	28	56	10	18	38	M12	18
100	32	64	13	22	45	M12	22



MALE HINGE  
CHAPE ARRIERE MALE  
CERNIERA MASCHIO

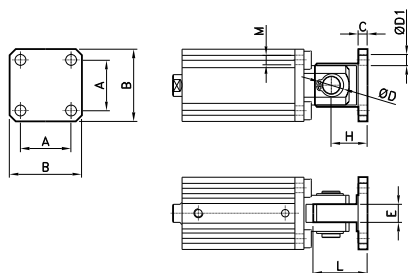
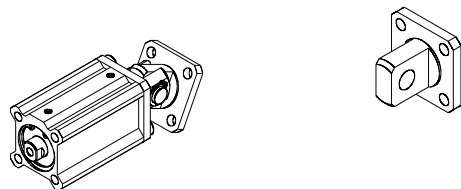
with screws for fixing, add "V"  
example: AR4307025V

avec vis ajouter "V"  
exemple : AR4307025V

con viti di fissaggio, aggiungere "V"  
esempio: AR4307025V

CODE	Ø
AR4307016	16
AR4307020	20
AR4307025	25

Ø	A	B	C	ØD H10	ØD1	E	H	L	M (vite/screw)
16	20	28	4	5	4.5	6.5	15	21	M4
20	25.5	35	5	8	6.6	8	18	27	M6
25	28	40	5	10	6.6	10	20	30	M6



MALE HINGE  
CHAPE ARRIERE MALE  
CERNIERA MASCHIO

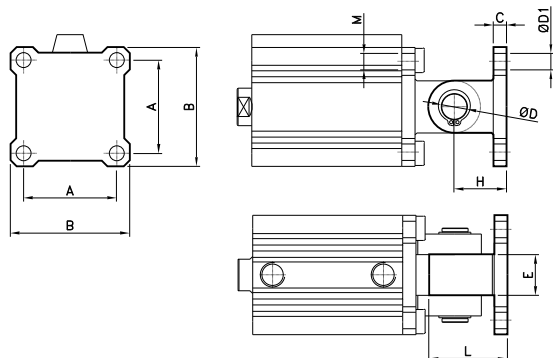
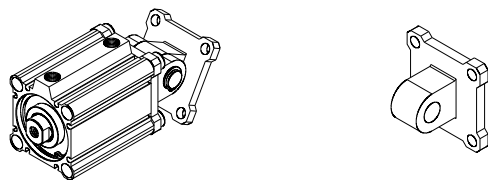
with screws for fixing, add "V"  
example: AR4307025V

avec vis ajouter "V"  
exemple : AR4307025V

con viti di fissaggio, aggiungere "V"  
esempio: AR4307025V

CODE	Ø
AR4307016	16
AR4307020	20
AR4307025	25

Ø	A	B	C	ØD H10	ØD1	E	H	L	M (vite/screw)
16	20	28	4	5	4.5	6.5	15	21	M4
20	25.5	35	5	8	6.6	8	18	27	M6
25	28	40	5	10	6.6	10	20	30	M6



MALE HINGE  
CHAPE ARRIERE MALE  
CERNIERA MASCHIO

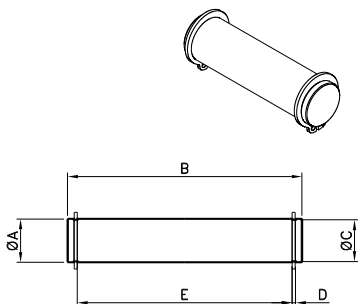
with screws for fixing, add "V"  
example: AR4307032V

avec vis ajouter "V"  
exemple : AR4307032V

con viti di fissaggio, aggiungere "V"  
esempio: AR4307032V

CODE	Ø
AR4307032	32
AR4307040	40
AR4307050	50
AR4307063	63
AR4307080	80
AR4307100	100

Ø	A	B	C	ØD H10	ØD1	E	H	L	M (vite/screw)
32	34	45	5	10	6.6	18	20	30	M6
40	40	52	6	10	6.6	18	22	32	M6
50	50	64	7	14	9	22	28	42	M8
63	60	77	8	14	11	22	30	44	M10
80	77	98	10	18	13.5	28	38	56	M12
100	94	117	13	22	13.5	32	45	67	M12

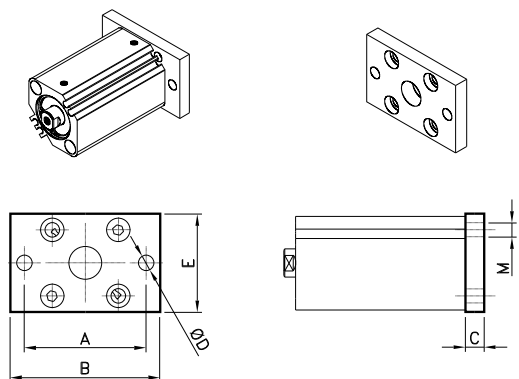


PIVOT FOR HINGE / AXE POUR ARTICULATION ARRIERE /  
PERNO PER CERNIERA

CODE	Ø
AR4309016	16
AR4309020	20
AR4309025	25
AR4309032	32-40
AR4309050	50-63
AR4309080	80
AR4309100	100

Ø	ØA d9	B	ØC	D	E
16	5	16.6	4.8	0.7	12.2
20	8	21	7.6	0.9	16.2
25	10	25.6	9.6	1.15	20.2
32-40	10	41.6	9.6	1.15	36.2
50-63	14	50.6	13.4	1.15	44.2
80	18	64	17	1.35	56.2
100	22	72	21	1.35	64.2

complete of n° 2 seeger  
Livré avec 2 circlips  
completa di n° 2 seeger



FLANGE / BRIDE / FLANGIA

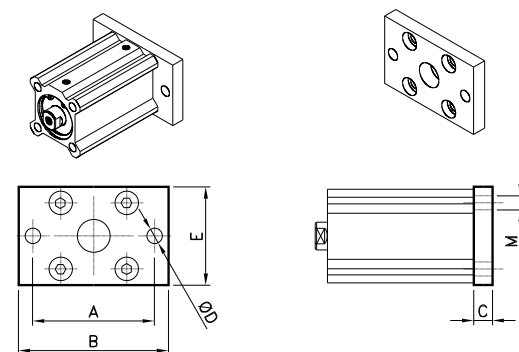
with screws for fixing, add "V"  
exemple: AR4308025V

CODE	Ø
AR4308016	16
AR4308020	20
AR4308025	25

avec vis ajouter "V"  
exemple : AR4308025V

con viti di fissaggio, aggiungere "V"  
esempio: AR4308025V

Ø	A	B	C	ØD	E	M (vite/screw)
16	45	55	5.5	4.5	30	M4
20	48	60	8	6.6	39	M6
25	52	64	8	6.6	42	M6



FLANGE / BRIDE / FLANGIA

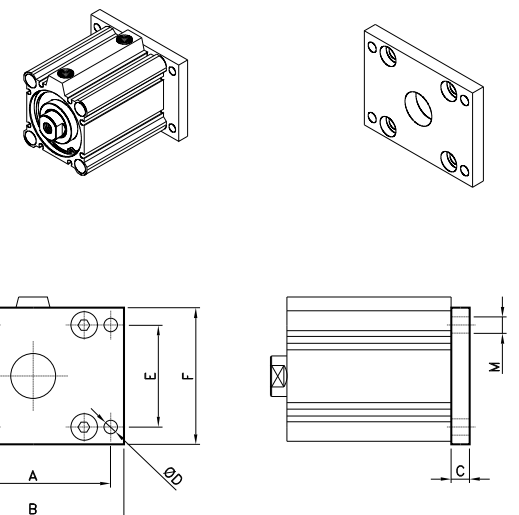
with screws for fixing, add "V"  
exemple: AR4308025V

CODE	Ø
AR4308016	16
AR4308020	20
AR4308025	25

avec vis ajouter "V"  
exemple : AR4308025V

con viti di fissaggio, aggiungere "V"  
esempio: AR4308025V

Ø	A	B	C	ØD	E	M (vite/screw)
16	45	55	5.5	4.5	30	M4
20	48	60	8	6.6	39	M6
25	52	64	8	6.6	42	M6



FLANGE / BRIDE / FLANGIA

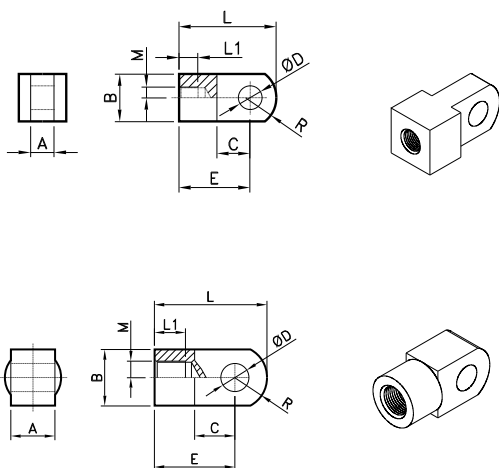
with screws for fixing, add "V"  
exemple: AR4308032V

CODE	Ø
AR4308032	32
AR4308040	40
AR4308050	50
AR4308063	63
AR4308080	80
AR4308100	100

avec vis ajouter "V"  
exemple : AR4308032V

con viti di fissaggio, aggiungere "V"  
esempio: AR4308032V

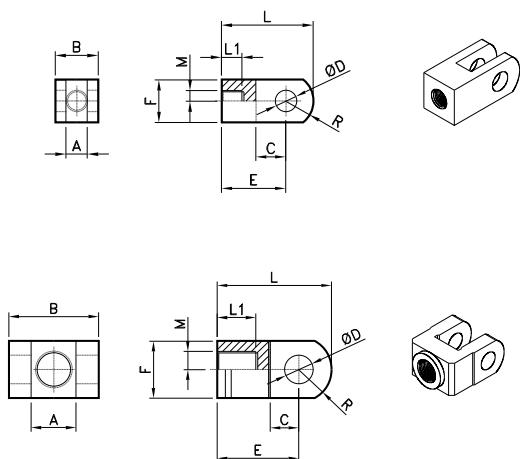
Ø	A	B	C	ØD	E	F	M (vite/screw)
32	56	65	8	5.5	34	48	M6
40	62	72	8	5.5	40	54	M6
50	76	89	9	6.6	50	67	M8
63	92	108	9	9	60	80	M10
80	116	134	11	11	77	99	M12
100	136	154	11	11	94	117	M12



MALE YOKE / FOURCHE MALE / FORCELLA MASCHIO

CODE	Ø
AR4310016	16
AR4310020	20
AR4310025	25
AR4310032	32-40
AR4310050	50-63
AR4310080	80
AR4310100	100

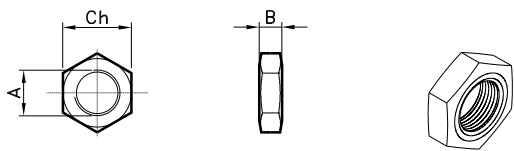
Ø	A	B	C	ØD H10	E	L	L1	M	R
16	6.4	□12	14	5	25	32	8	M6	8.1
20	8	□16	11.5	8	25	34	8.5	M8	10.3
25	10	□20	14	10	30	41	10.5	M10x1.25	12.8
32-40	18	Ø22	14	10	30	42	14	M14x1.5	12
50-63	22	Ø28	20	14	40	56	18	M18x1.5	16
80	28	Ø38	27	18	50	71	21	M22x1.5	21
100	32	Ø44	31	22	55	79	21	M26x1.5	24



FEMALE YOKE / FOURCHE FEMELLE / FORCELLA FEMMINA

CODE	Ø
AR4311016	16
AR4311020	20
AR4311025	25
AR4311032	32-40
AR4311050	50-63
AR4311080	80
AR4311100	100

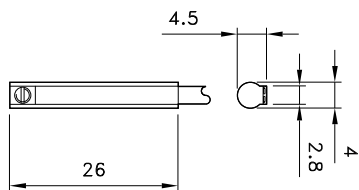
Ø	A	B	C	ØD H10	E	F	L	L1	M	R
16	6.5	12	10	5	21	□12	28	11	M6	8.1
20	8	16	11.5	8	25	□16	34	8.5	M8	10.3
25	10	20	14	10	30	□20	41	10.5	M10x1.25	12.8
32-40	18	36	14	10	30	Ø22	42	16	M14x1.5	12
50-63	22	44	20	14	40	Ø28	56	20	M18x1.5	16
80	28	56	27	18	50	Ø38	71	23	M22x1.5	21
100	32	64	31	22	55	Ø44	79	24	M26x1.5	24



NUT FOR ROD  
ECROU DE TIGE  
DADO PER STELO

CODE	Ø
DAB6	16
DAB8	20
DAB10X1,25	25
DAB14X1,5	32-40
DAB18X1,5	50-63
DAB22X1,5	80
DAB26X1,5	100

Ø	A	B	Ch
16	M6	5	10
20	M8	5	13
25	M10x1.25	6	17
32-40	M14x1.5	8	22
50-63	M18x1.5	11	27
80	M22x1.5	13	32
100	M26x1.5	16	41



ROUND SWITCH  
CAPTEUR ROND  
SENSORE TONDO

CODE	
AR4018010	REED 2 wires / REED 2 fils / REED 2 filii