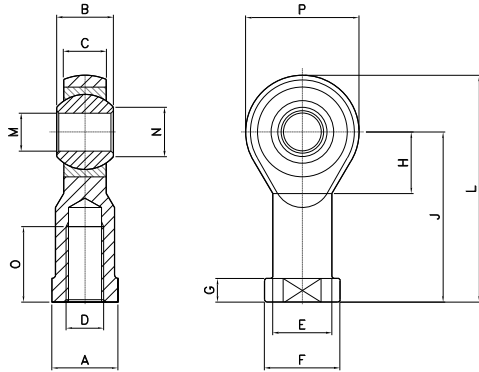
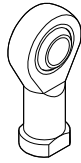


Material: Steel
Matériel: Acier
Materiale: Acciaio

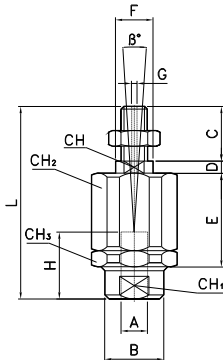
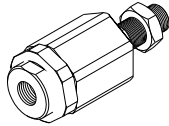


ROD ENDS
CHAPE DE TIGE ROTULEE
TESTA A SNODO

CODE	Ø
AR40660	32
AR40662	40
AR40665	50-63
AR40666	80-100
AR40667	125
AR40669	160-200
AR40668	250

Ø	A	B	C	D	E	F	G	H	J	L	M	N	O	P
32	17	14	10.5	M10x1.25	15	19	6.5	15	43	57	10	12.9	20	28
40	19	16	12	M12x1.25	17.5	22	6.5	17	50	66	12	15.4	22	32
50-63	22	21	15	M16x1.5	22	27	8	23	64	85	16	19.3	28	42
80-100	30	25	18	M20x1.5	27.5	34	10	27	77	102	20	24.3	33	50
125	41	37	25	M27x2	40	50	15	36	110	145	30	34.8	51	70
160-200	50	43	28	M36x2	46	58	17	41	125	165	35	37.7	56	80
250	55	49	33	M42x2	53	65	19	45	142	187.5	40	45.2	60	91

Material: Steel
Matériel: Acier
Materiale: Acciaio

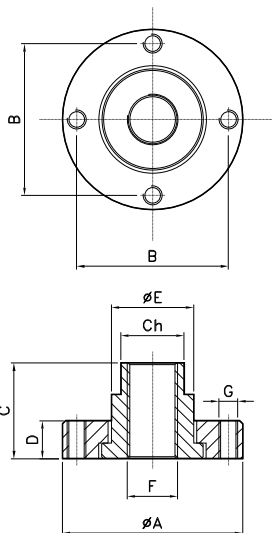
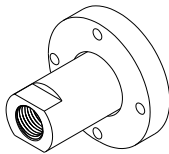


SELF-ALIGNING JOINT
CHAPE AUTO-ALIGNANTE
GIUNTO AUTOALLINEANTE

CODE	Ø
AR40689	32
AR40691	40
AR40693	50-63
AR40694	80-100

Ø	A	B	C	D	E	F	G	H	L	CH	CH ₁	CH ₂	CH ₃	β°
32	M10x1.25	22	20	5	35	14	2	20	71	12	19	30	32	10
40	M12x1.25	22	24	5	35	14	2	20	75	12	19	30	32	10
50-63	M16x1.5	32	32	8	54	22	2	32	103	20	30	41	45	10
80-100	M20x1.5	32	40	8	54	22	2	40	119	20	30	41	45	10

Material: Steel
Matériel: Acier
Materiale: Acciaio



FLOATING JOINT
GUIDE FLOTTANT
GIUNTO FLOTTANTE

CODE	Ø
KU0017020	20
KU0017025	25
KU0017032	32
KU0017040	40
KU0017050	50-63
KU0017080	80-100

Ø	ØA	B	C	D	ØE	F	G	Ch
16	28.5	22.5	15	6	11	M5	M5	8
20	31.5	25.5	18	7.5	14	M8	M5	12
25	31.5	25.5	18	7.5	14	M10	M5	12
32	38	31	19	11	17	M10	M5	15
40	38	31	19	11	17	M12	M5	15
50-63	57	48	27	12	26	M16	M6	20
80-100	63	54	27	12	32	M20	M6	26