

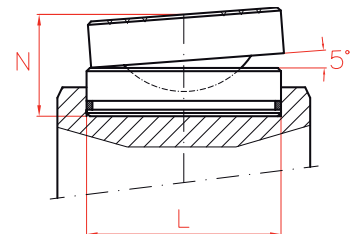
SADDLES



TILTING SADDLES AZ04

- ✓ Recommended for high side load applications.
- ✓ These saddles allow up to 5° tilt angle.
- ✓ Push-in or threaded to suit different cylinder models.

AZ04 TILTING SADDLES



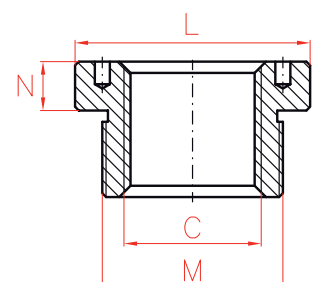
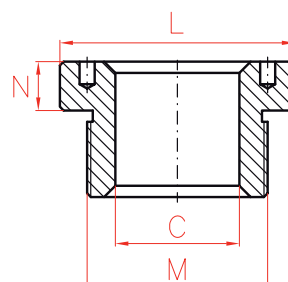
HOLLOW SADDLES AZ05

- ✓ Used in hollow piston cylinders.
- ✓ Especially used in pulling operations and as support.
- ✓ These saddles can be plain, threaded or solid.

AZ05 HOLLOW SADDLES

Standard Plain

Optional Internal Thread



SADDLES



Type **AZ04 - AZ05**

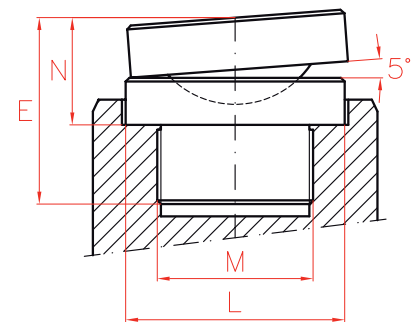
Capacity -

Max. pressure **700 bar**

THREADED TILTING SADDLES

Model	L	M	N	E	Weight	Cylinder Model
LARZEP	mm		mm	mm	kg	
AZ0420	28	1"-8	29	43	0,2	SM010-D010
AZ0423	35	1"-8	29	49	0,3	SM015-D020
AZ0421	45	1 1/2"-16	28	50	0,4	SM023-SM030-D030
AZ0422	61	1 3/4"-12	38	58	0,7	D050-D075-D100
AZ0424	88	2 1/2"-12	47	82	2,5	D150
AZ0425	111	2 1/2"-12	52	107	4,5	D200
AZ0431	34	M28x1,5	29	44	0,3	SH012
AZ0432	48	1 9/16"-16	29	46	0,5	SH022
AZ0433	55	1 13/16"-16	37	57	0,6	SH030-SAH030-DH030-DAH030
AZ0434	80	2 3/4"-16	47	67	2,3	SH060-SAH060-DH060-DAH060
AZ0435	116	2 1/2"-12	52	76	5,5	SH100-SAH100-DH100-DAH100

AZ04 THREADED TILTING SADDLES



TILTING SADDLES

Model	L	N	Weight	Cylinder Model
LARZEP	mm	mm	kg	
AZ0401	45	36	0,4	SAM023-SAM030-SP030-SMP030-STR030-SAT030-SATM030
AZ0402	61	39	0,8	SM050-SM075-SAM050-SP050-SMP050-SX050-SX075-STR050-SAT050-SATM050-DDA050-DDA075-DDR050
AZ0404	88	47	2,2	SM100-SM140-SAM100-SAM140-SP100-SMP100-SPR140-SX100-SX150-STR100-STR140 SAT100-SAT140-SATM100-SATM140-SSR140-DDA100-DDA140-DDR100-DDR140
AZ0405	111	52	4,0	SM220-SAM200-SPR220-STR220-SAT200-SATM200-SSR220-DDA200-DDR220
AZ0408	178	67	13,0	SPR350-SPR430-STR350-STR430-SSR350-SSR430-DDR350-DDR430
AZ0411	200	79	19,3	SPR560-SPR670-STR560-STR670-SSR560-SSR670-DDR560-DDR670
AZ0413	250	105	40,0	SPR880-STR880-SSR880-DDR880
AZ0415	325	175	113,0	SPR1100-STR1100-SSR1100-DDR1100

HOLLOW SADDLES

Standard Plain					Cylinder Model	Optional Threaded				
Model	C	L	M	N		Model	C	L	M	N
LARZEP	mm	mm		mm		LARZEP		mm		mm
AZ0531	19,5	34	M28x1,5	7	SH012	AZ0551	3/4"-16	34	M28x1,5	7
AZ0532	27,0	48	1 9/16"-16	8	SH022-SAH022	AZ0552	1"-8	48	1 9/16"-16	8
AZ0533	33,4	55	1 13/16"-16	9	SH030-SAH030-DH030-DAH030	AZ0553	1 1/4"-7	55	1 13/16"-16	9
AZ0536	56,0	80	2 3/4"-16	12	SH060-SAH060-DH060-DAH060	AZ0556	1 5/8"-5 1/2	80	2 3/4"-16	12
AZ0540	81,0	116	4"-16	13	SH100-SAH100-DH100-DAH100	AZ0560	2 1/2"-8	116	4"-16	13
AZ0545	81,0	135	4 1/4"-16	20	DH150-DAH150	AZ0565	2 1/2"-8	135	4 1/4"-16	20