

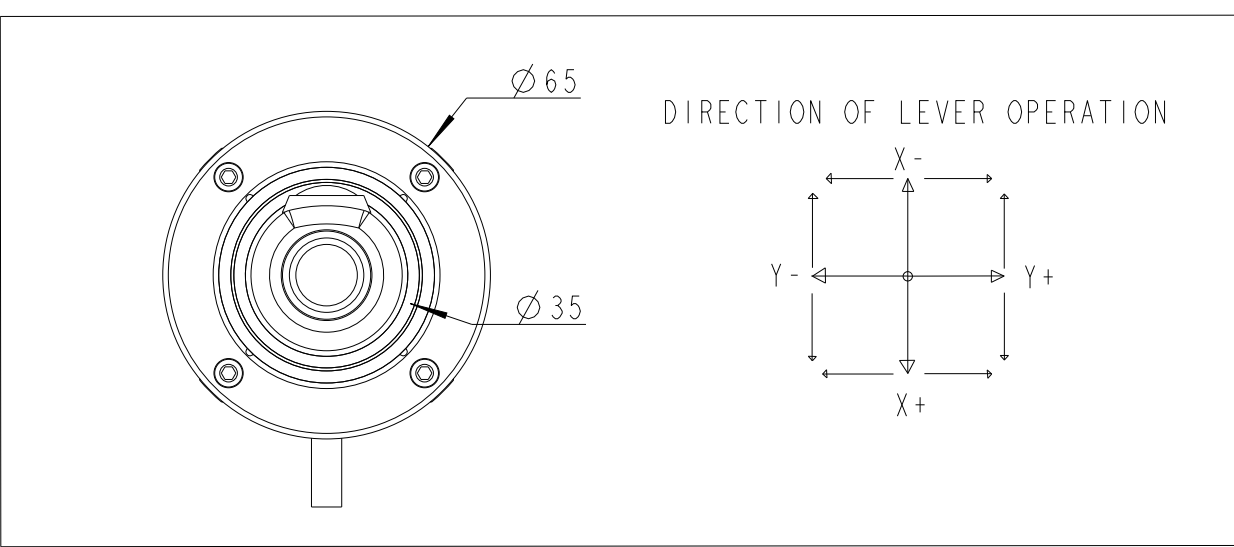
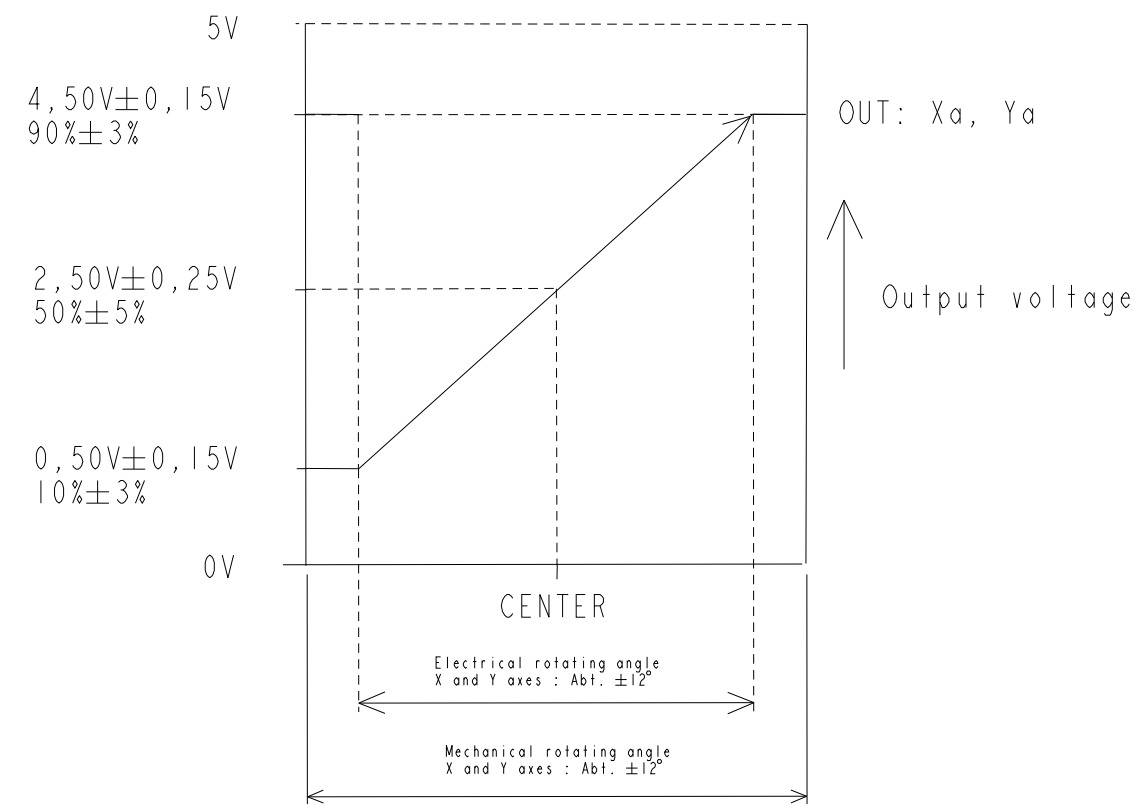
TERMINAL CONFIGURATION

Pin:	Function:	Color
1	+5VDC-X, Y	Red
2	GND-X, Y	Black
3	XA	White
4	YA	Blue
5	COM-PBI-3	Grey
6	PBI	Pink
7	PB2	Yellow
8	PB3	Green

Contact: DT04-08P

OUTPUT CHARACTERISTICS

SCALE 1:2



Each axes  $\ominus$  direction  $\longleftrightarrow$  Each axes  $\oplus$  direction