

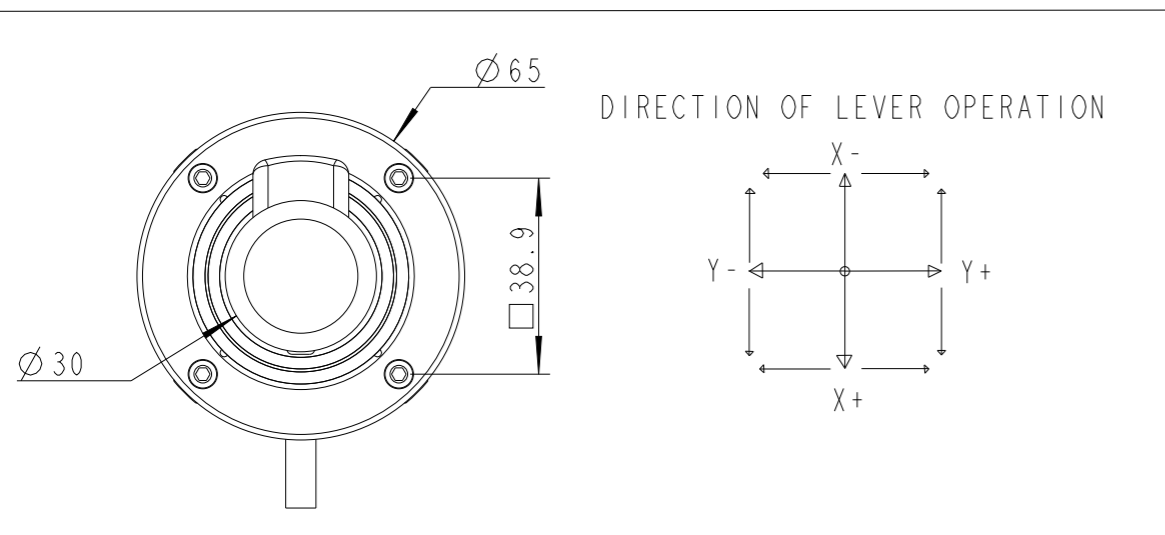
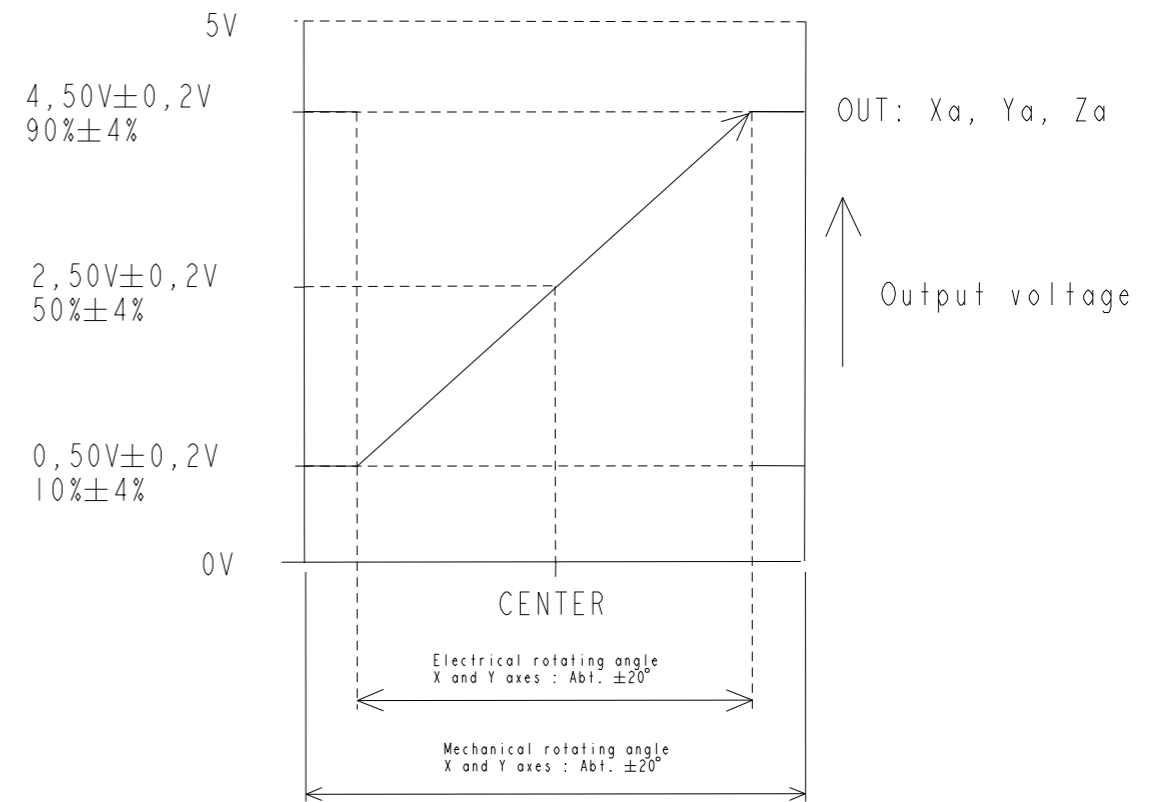
TERMINAL CONFIGURATION

Pin	Function:	Color
1	+5VDC-X, Y, Z	Red
2	GND-X, Y, Z	Black
3	XA	White
4	YA	Blue
5	ZA	Yellow
6	-	-

Contact: DT04-06P

SCALE 1:2

OUTPUT CHARACTERISTICS



Each axes ⊖ direction ← | → Each axes ⊕ direction