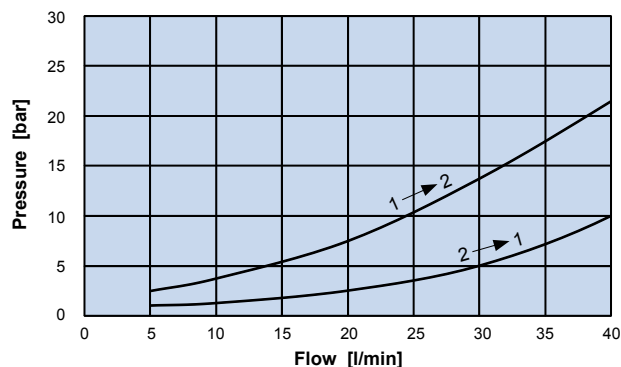
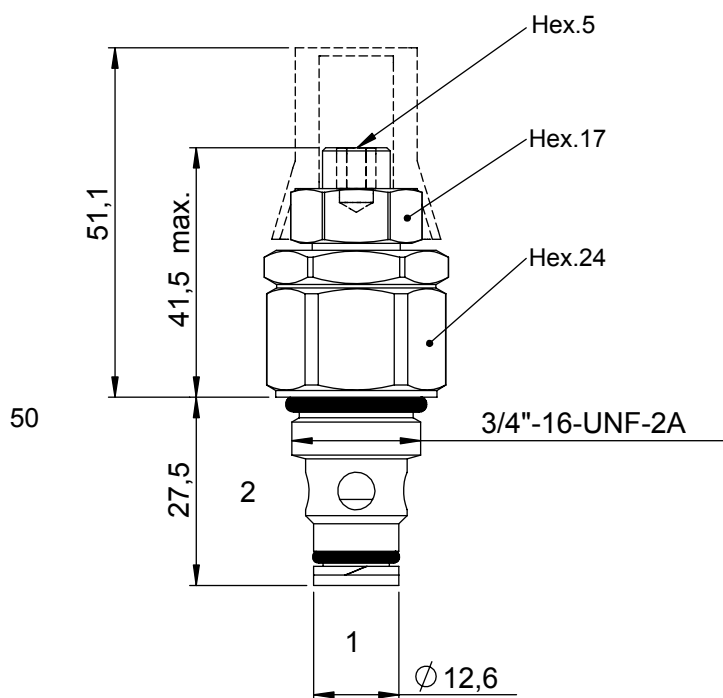
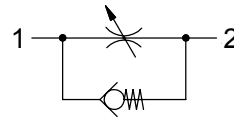


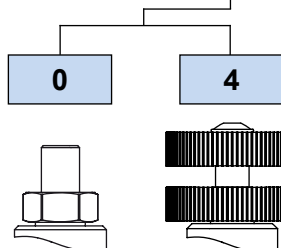
**UNIDIRECTIONAL FLOW CONTROL VALVE**

- Max Flow. . . . . **30 l/min**
- Max working pressure . . . . . **350 bar**
- Seals . . . . . **NBR**
- Cavity . . . . . **C220000**
- Cartridge tightening torque. . . . . **40 Nm**
- Weight. . . . . **0,15 Kg**
- Tamper proof cap: . . . . . **cod.4029250280**
- Adjustment range. . . . . **5 turns**



**Ordering code**

**0 3 7 2 0 0 0 [ ] 0 1**



**Screw      Handknob**  
**Adjustments**