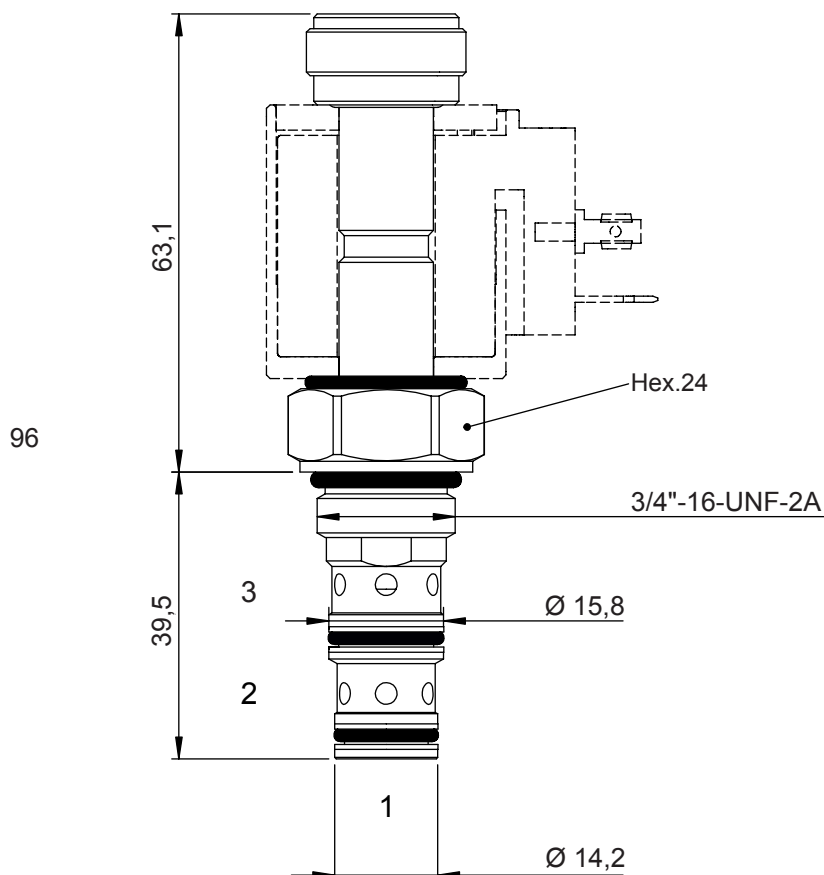
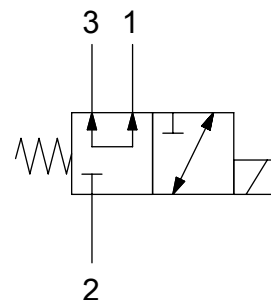


3 WAYS 2 POSITIONS ELECTRIC SPOOL VALVE, DIRECT ACTING

- Max working flow (P in port 1) **6 l/min**
- Max working flow (P in port 2) **15 l/min**
- Max working flow (P in port 3) **5,5 l/min**
- Max working pressure **250 bar**
- Cavity **C320000**
- Max Leakage at 250 bar **40 cc/min**
- Seals **NBR**
- Cartridge tightening torque **30 Nm**
- Ring nut tightening torque **5 Nm**
- Weight (with coil) **0,35 Kg**
- Coil **CT-9400** to be ordered separately



Ordering code

0 4 0 2 1 0 0 [] 0 0

