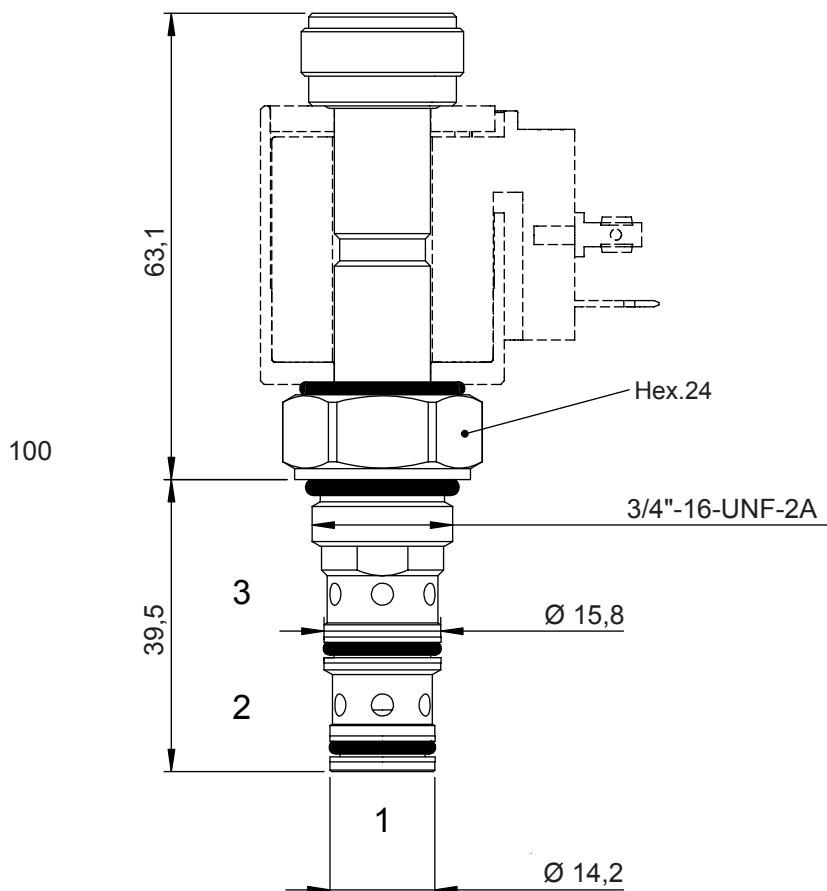
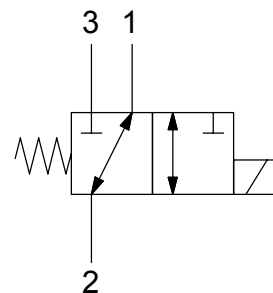


3 WAYS 2 POSITIONS ELECTRIC SPOOL VALVE, DIRECT ACTING

- Max working flow (P in port 1) 7 l/min
- Max working flow (P in port 2) 13,5 l/min
- Max working flow (P in port 3) 5,5 l/min
- Max working pressure 250 bar
- Cavity C320000
- Max Leakage at 250 bar 40 cc/min
- Seals NBR
- Cartridge tightening torque 30 Nm
- Ring nut tightening torque 5 Nm
- Weight (with coil) 0,35 Kg
- Coil **CT-9400** to be ordered separately



Ordering code

0 4 0 2 2 0 0 0 0

