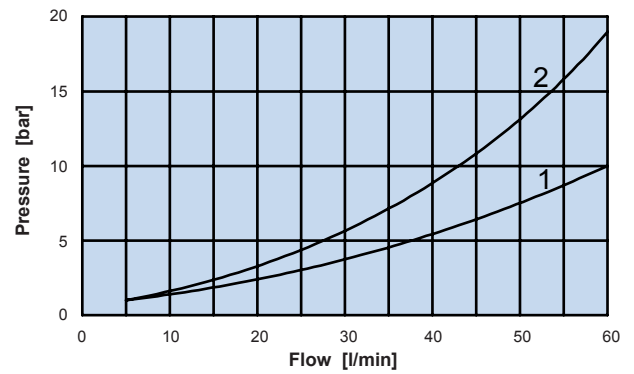
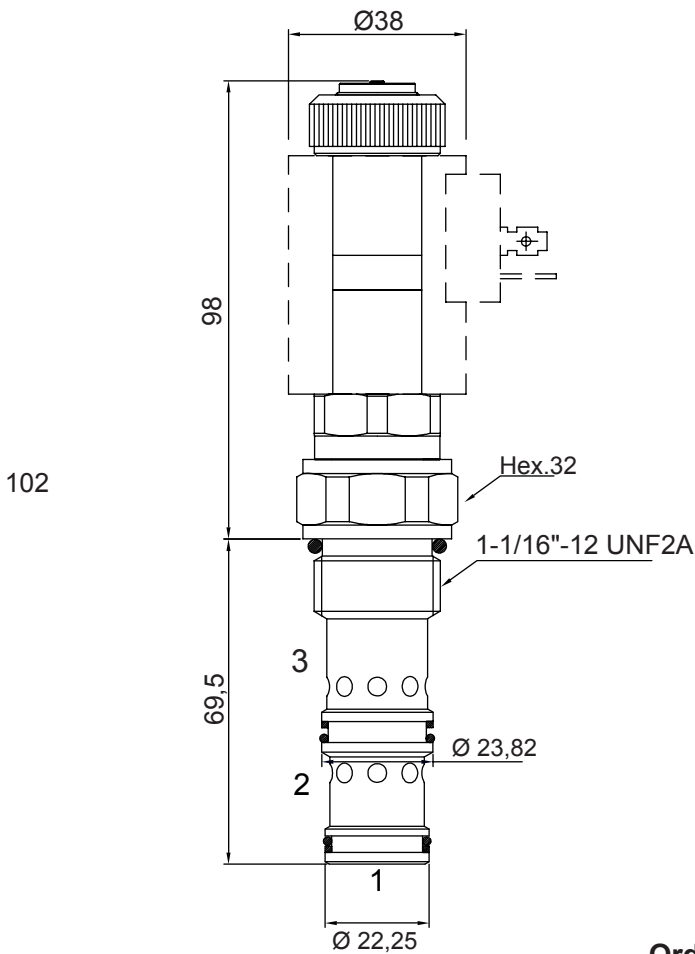
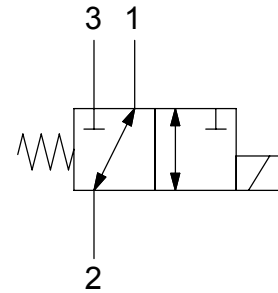
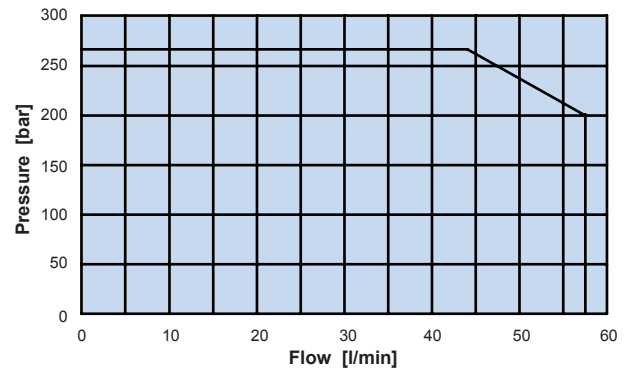


3 WAYS 2 POSITIONS ELECTRIC SPOOL VALVE, DIRECT ACTING

- Flow **50 l/min**
- Max working pressure in 1:2:3 **350 bar**
- Leakage **150 cc/min**
- Seals **NBR**
- Cavity **C340000**
- Cartridge tightening torque **50 Nm**
- Ring nut tightening torque **5 Nm**
- Weight (with coil) **0,70 Kg**
- Coil **CT-9800** to be ordered separately



1 = Pressure drop from 2 in 1
2 = Pressure drop from 3 in 2



Application limits from 2 in 1 and 2 in 3

Ordering code

0 4 0 4 2 0 0 [] 0 0

