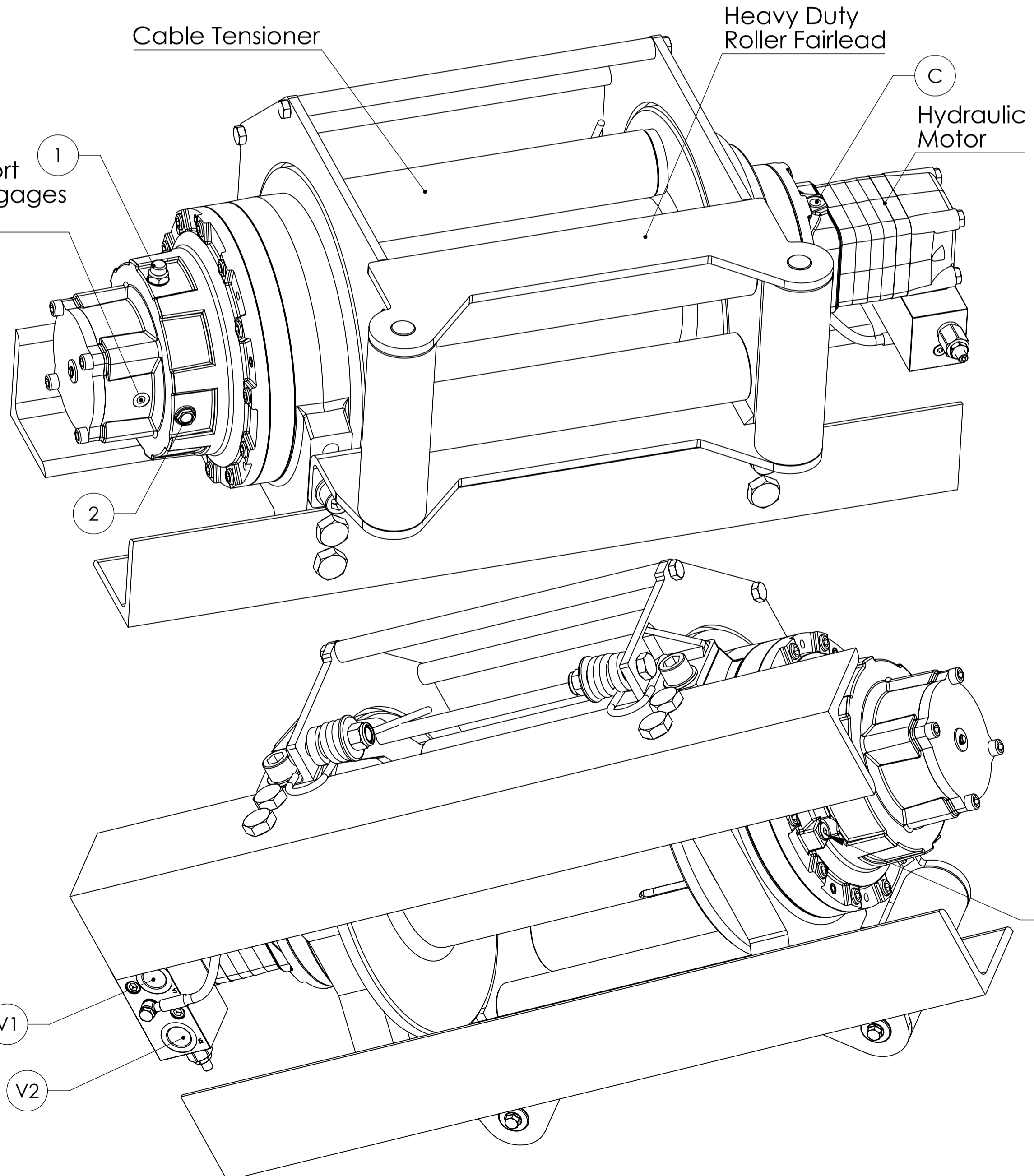
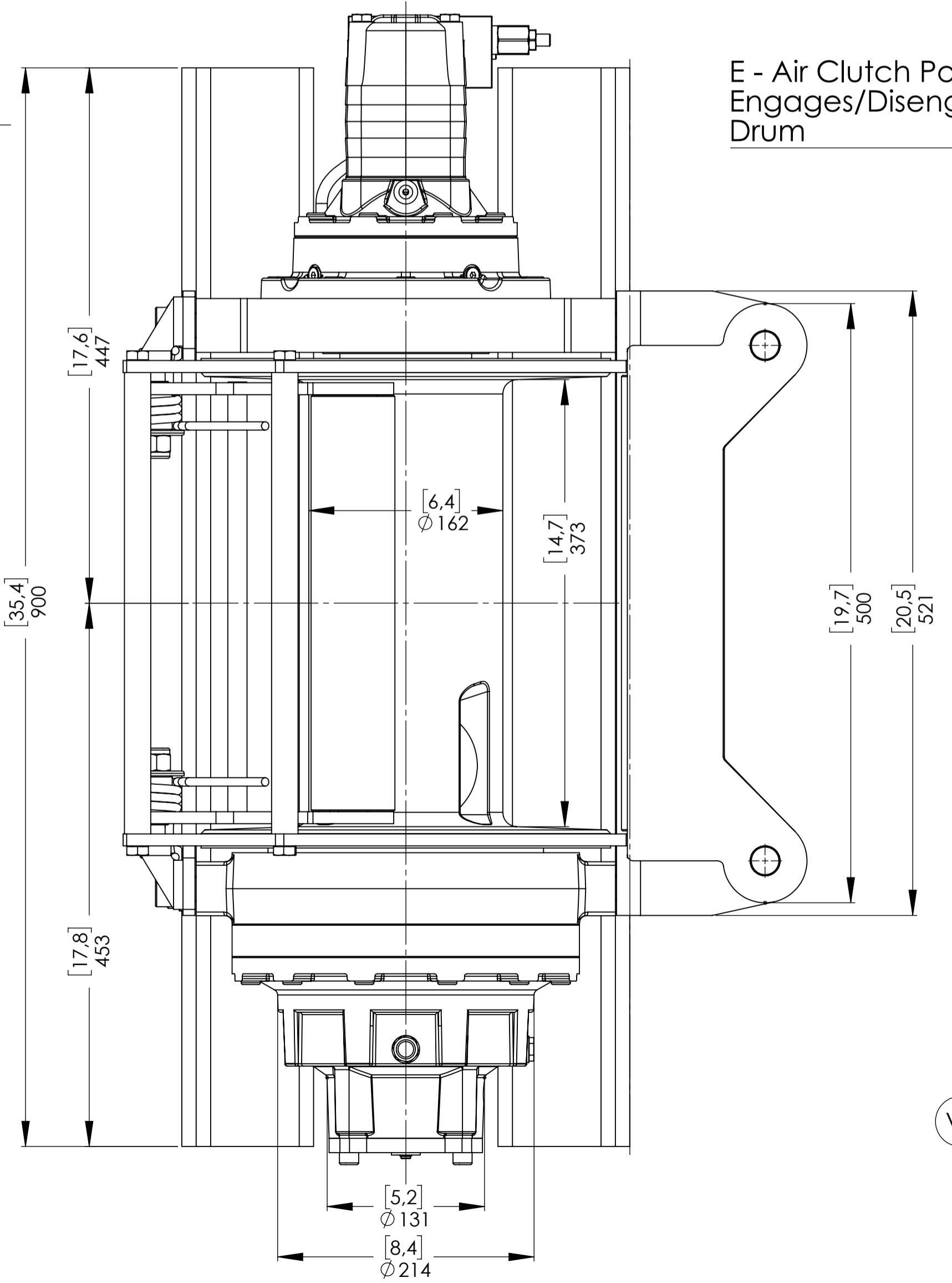
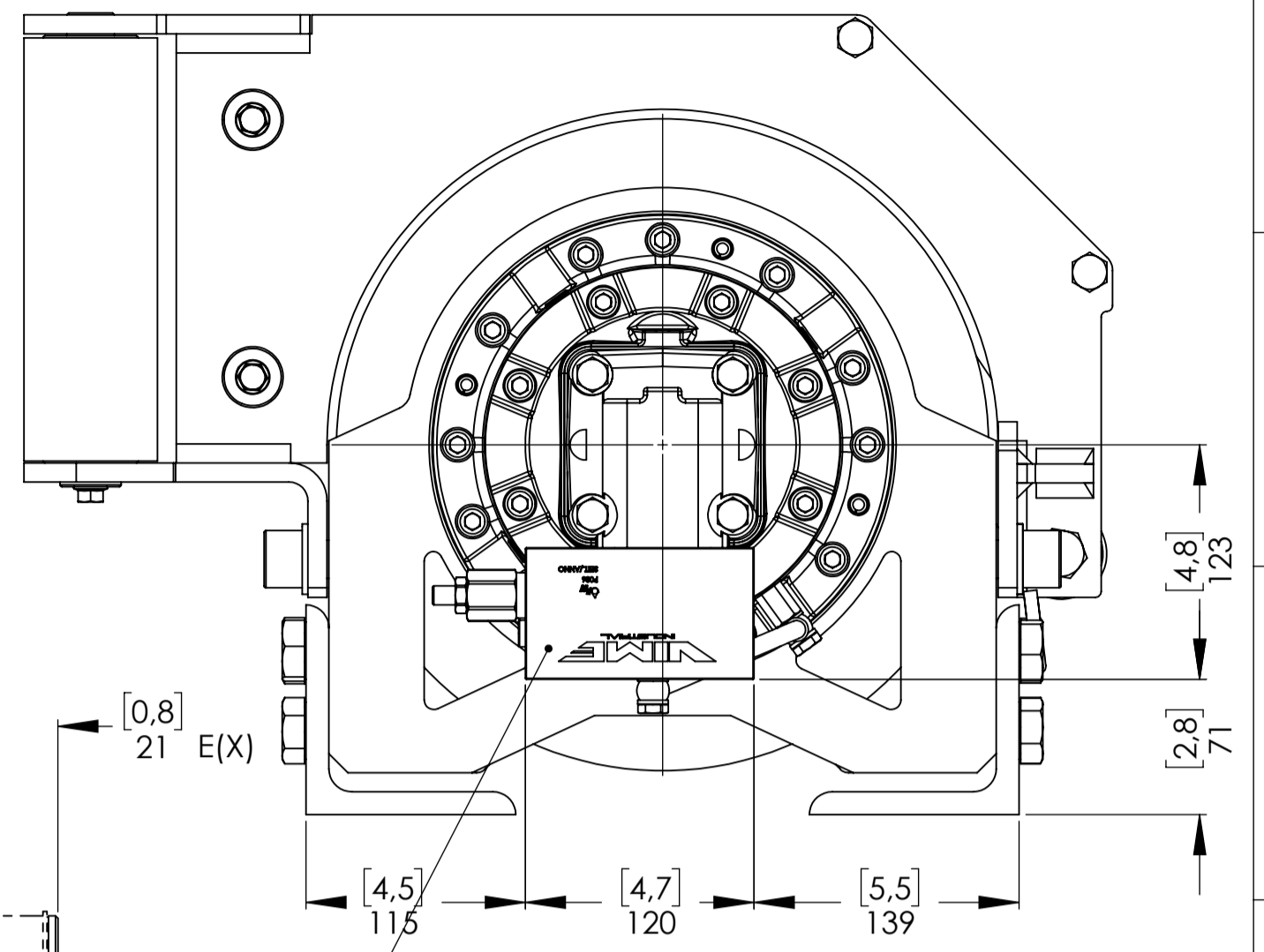
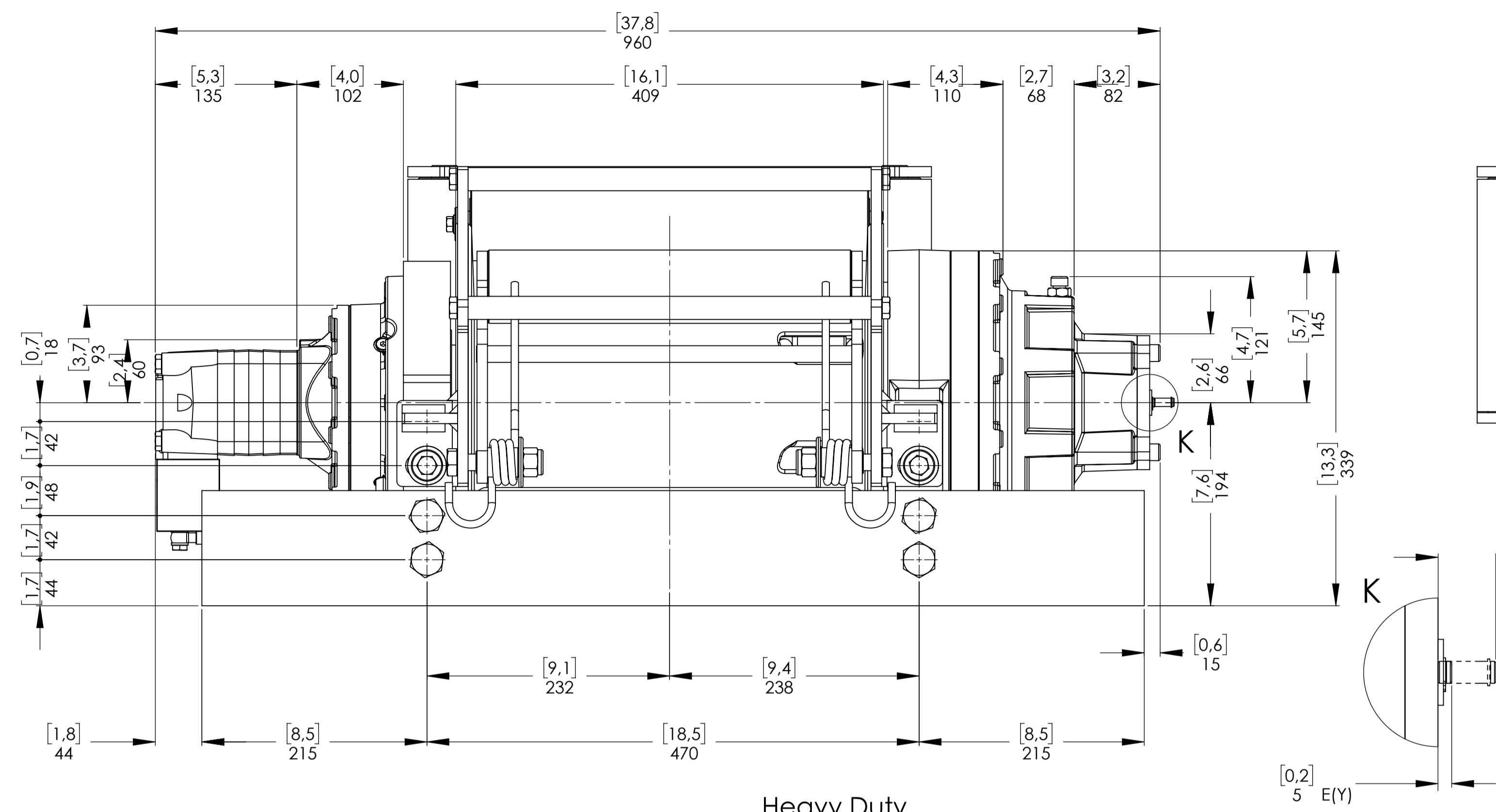
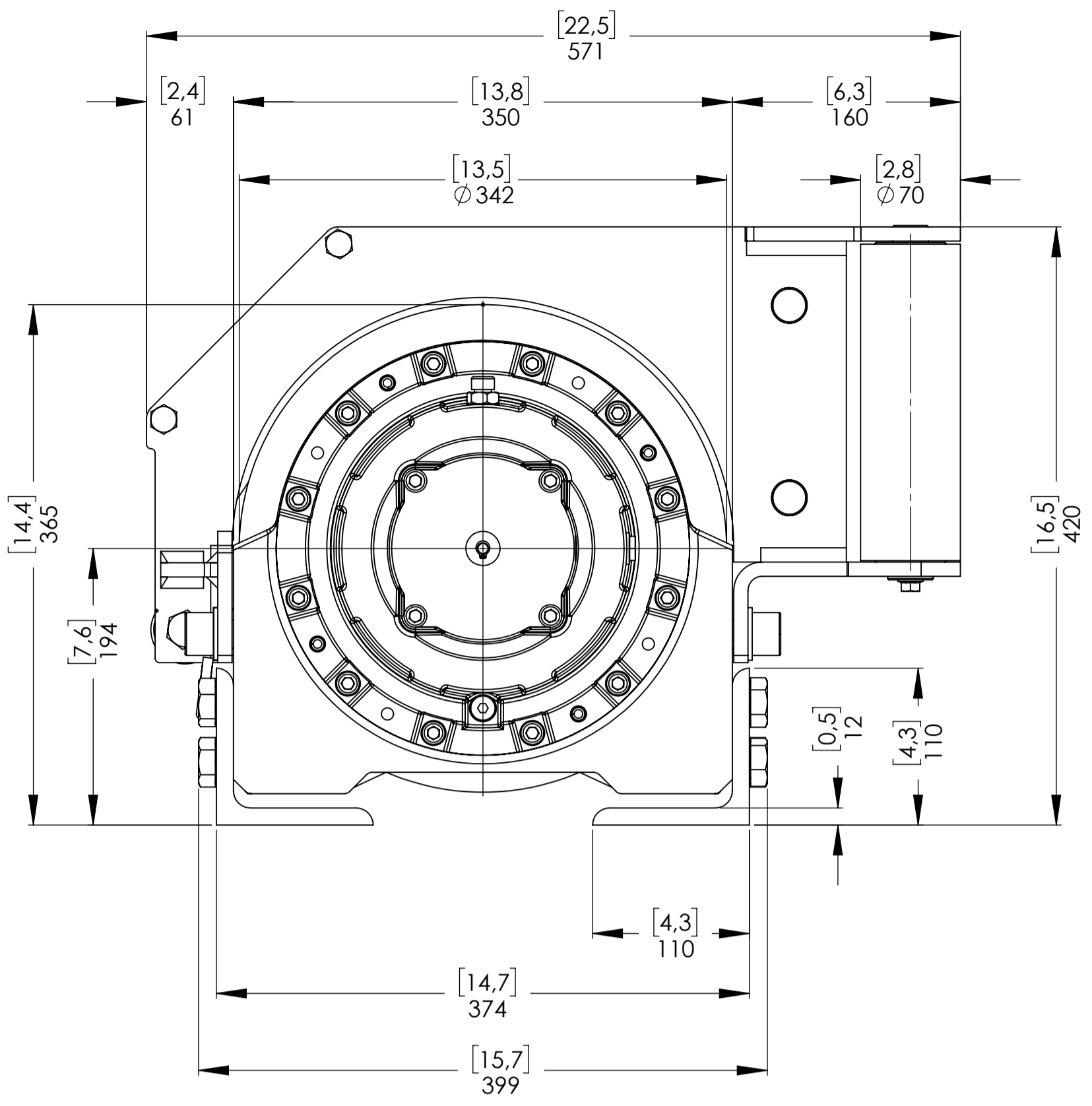
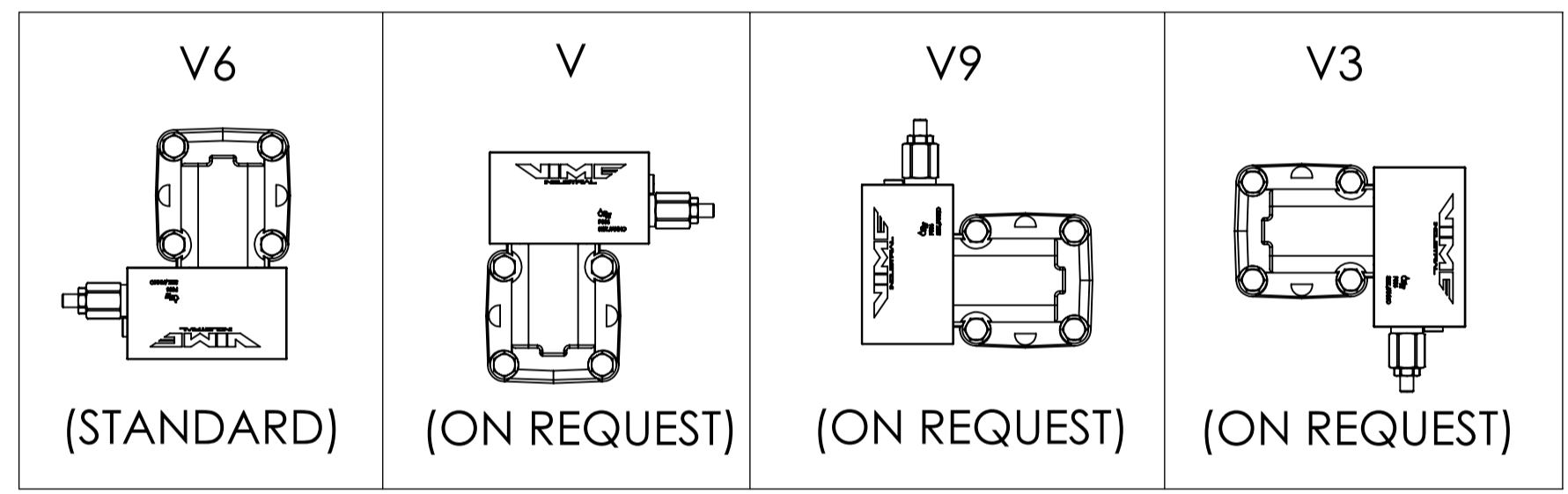


Machinery Directive 2006/42/CE  
EN 14492-1



OVERCENTER VALVE POSITION\*

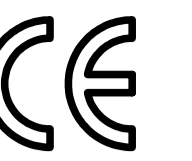


WINCH ORDERING CODE	AIR CLUTCH (STANDARD)	MANUAL CLUTCH (ON REQUEST)	HEAVY DUTY ROLLER FAIRLEAD (ON REQUEST)	CABLE TENSIONER (ON REQUEST)	OVER CENTER VALVE POSITION* (STANDARD V6)
EPHLFN150U25EAV6	X				X
EPHLFN150U25EAPV6	X			X	X
EPHLFN150U25EAGV6	X		X		X
EPHLFN150U25EAGPV6	X		X	X	X
EPHLFN150U25EV6		X			X
EPHLFN150U25EPV6		X		X	X
EPHLFN150U25EGV6		X	X		X
EPHLFN150U25EGPV6		X	X	X	X

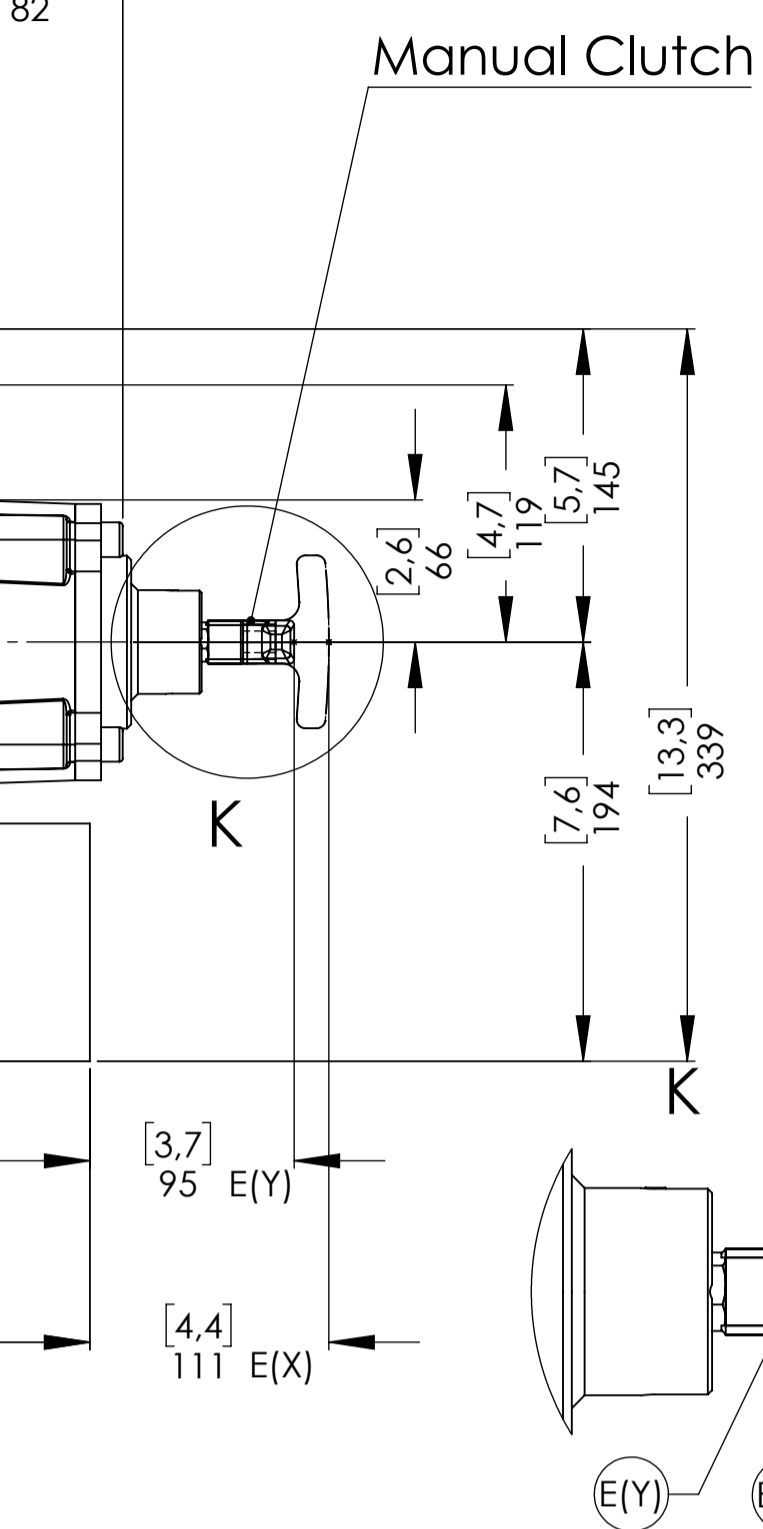
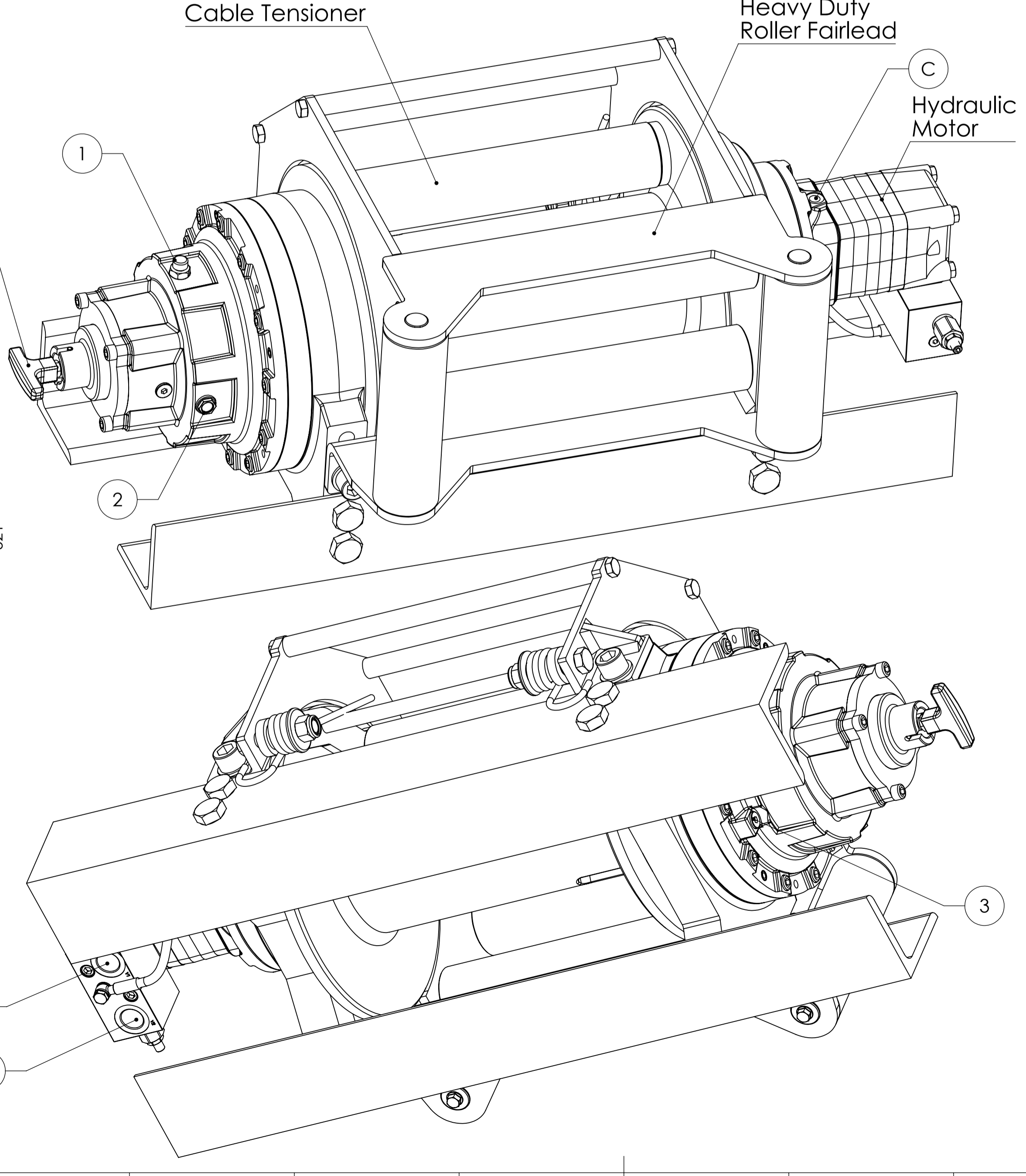
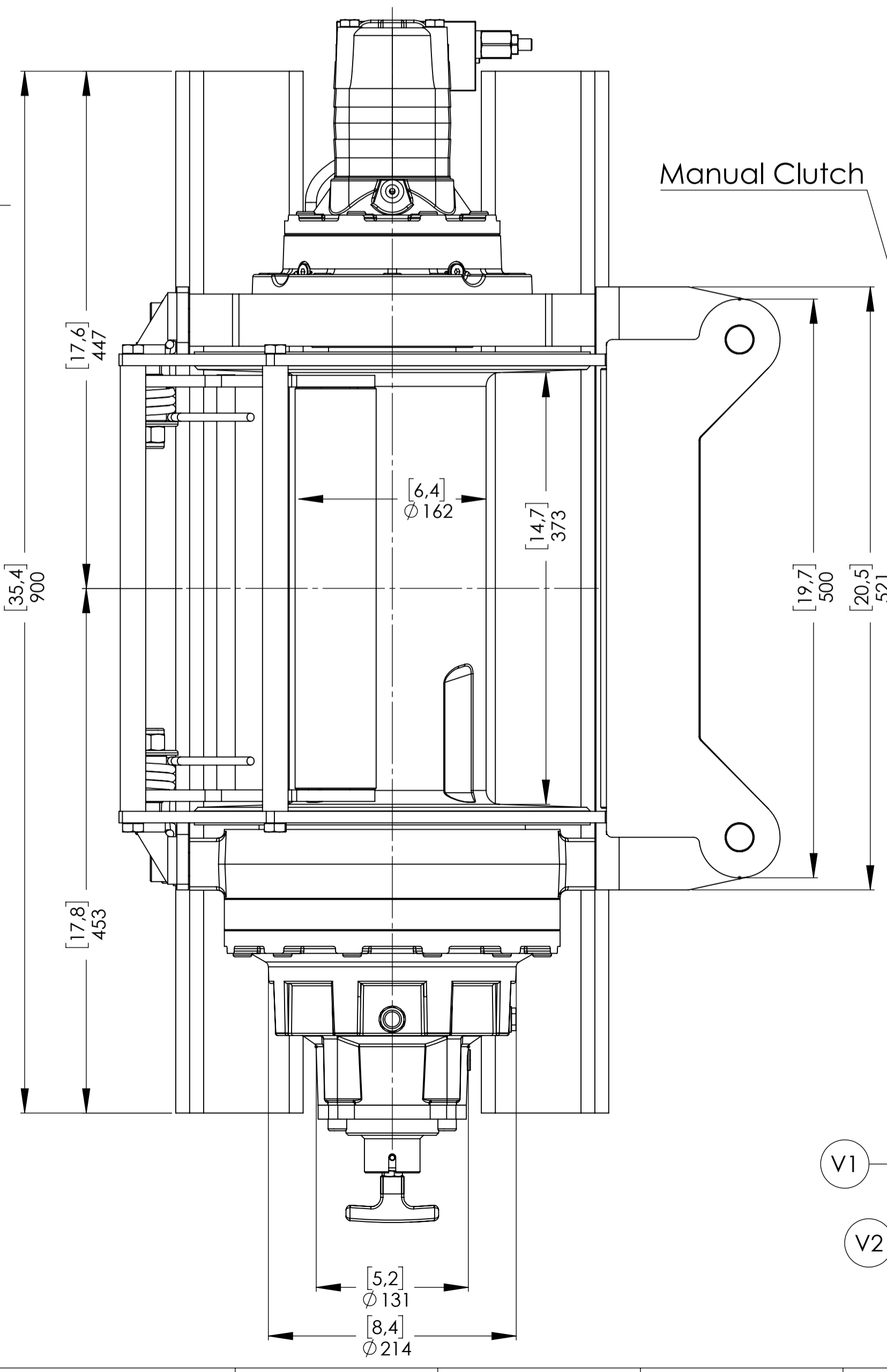
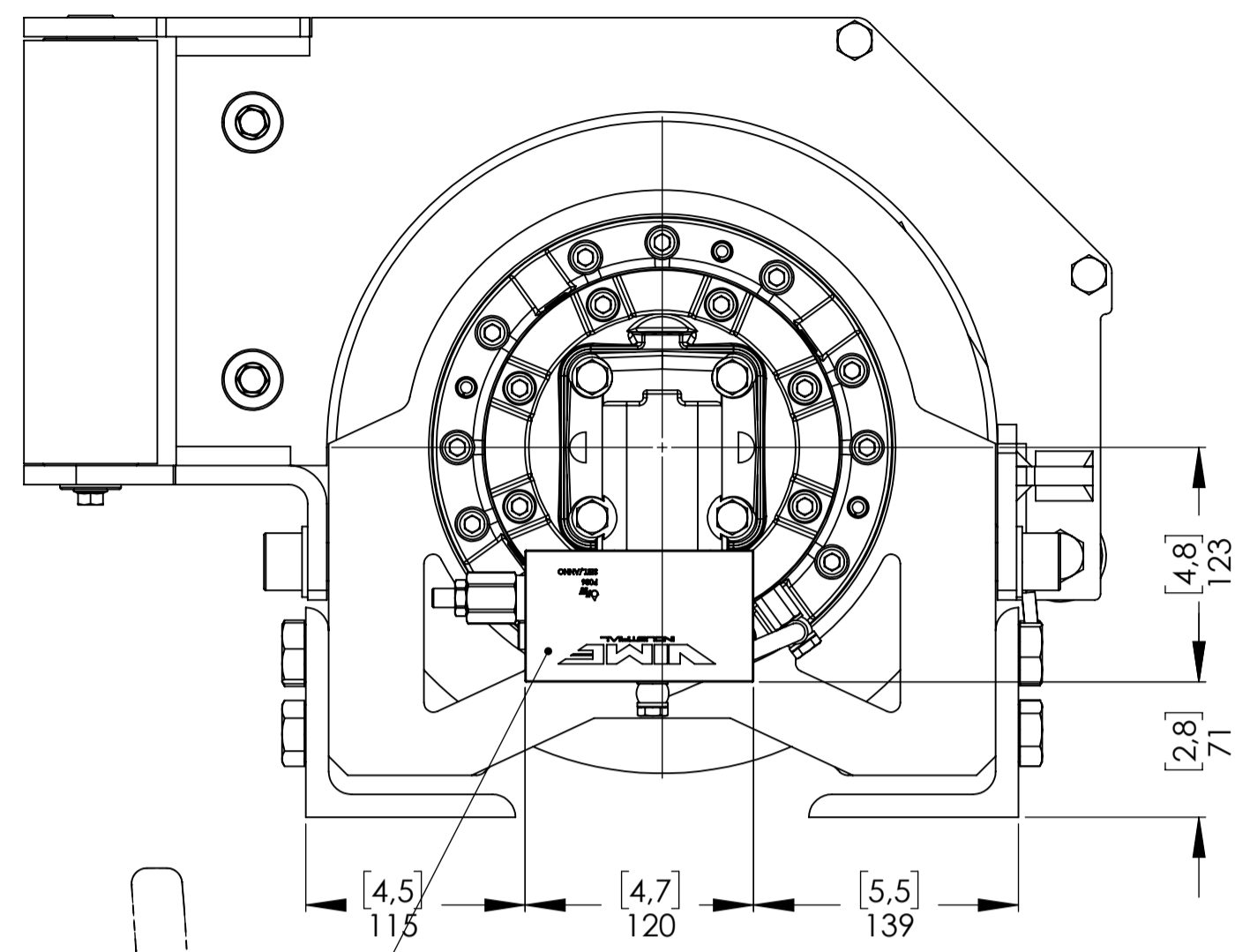
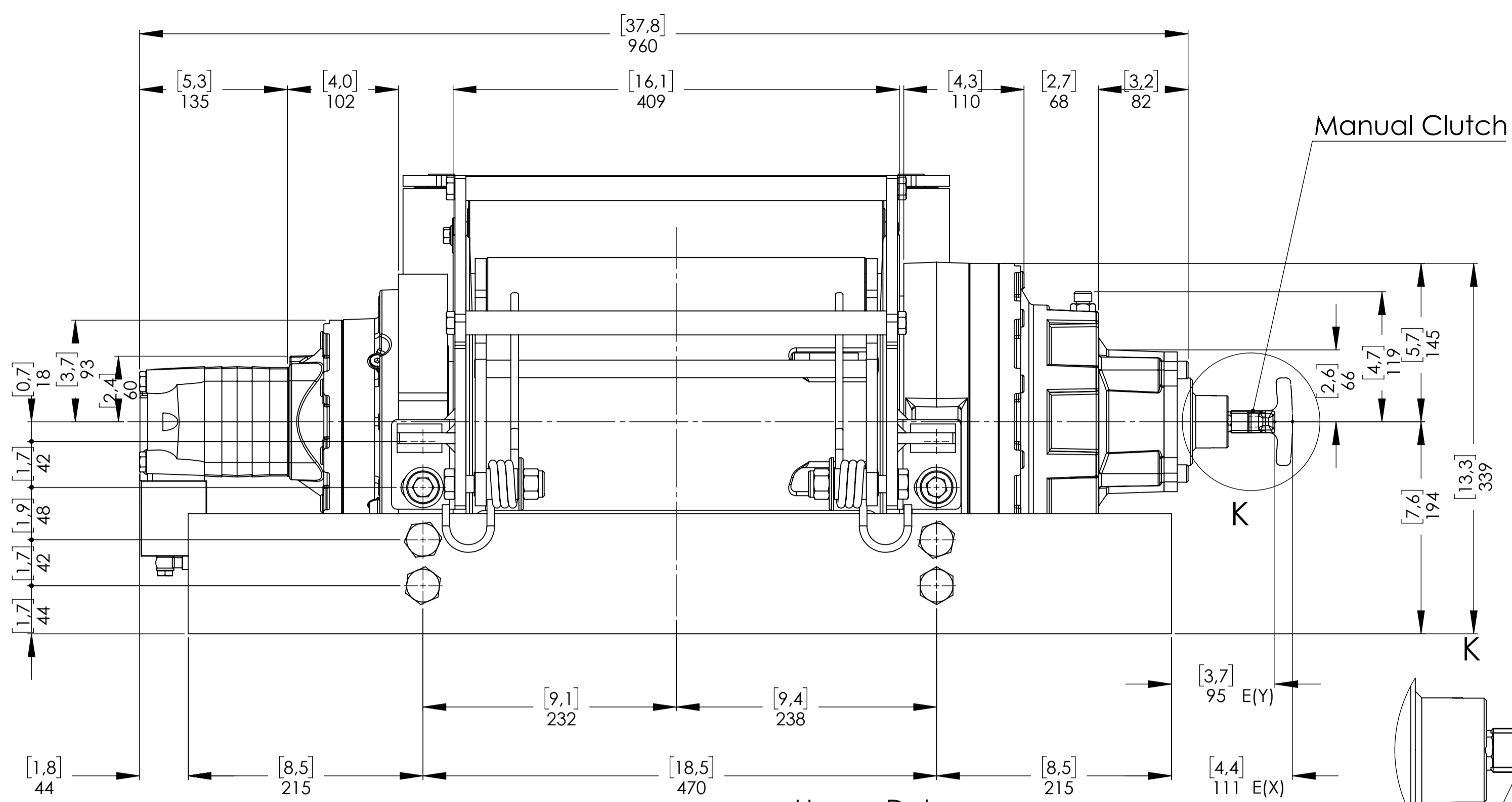
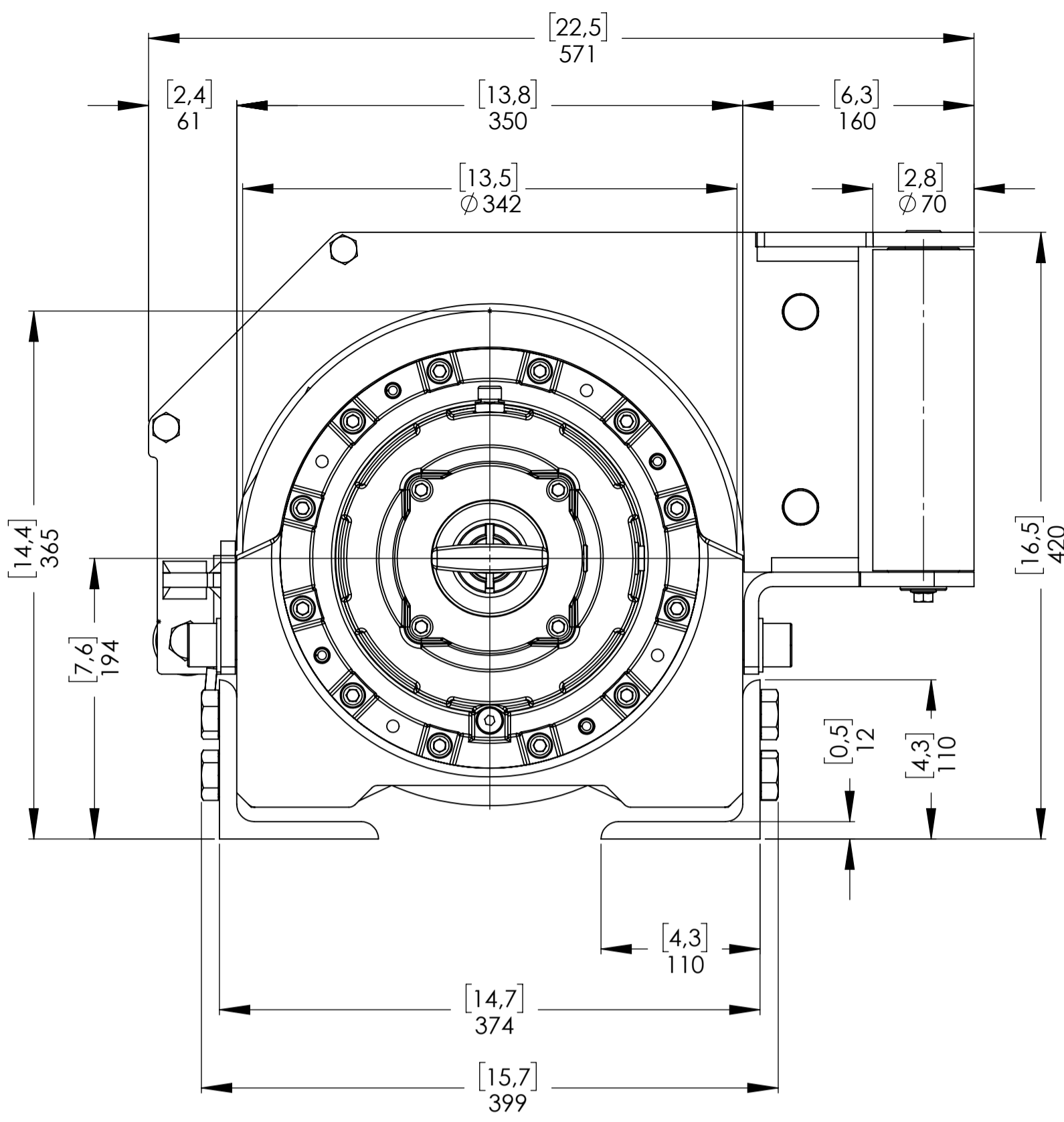
\*AT THE MOMENT OF ORDER IS POSSIBLE REQUEST THE OVERCENTER VALVE PORTS ORIENTED ACCORDING TO THE LAYOUT ABOVE. IF NOT SPECIFIED, THE WINCH WILL BE SUPPLIED WITH THE OVERCENTER VALVE PORTS ORIENTED AS PER OUR STANDARD CONFIGURATION V6.

CONNECTIONS	
V1 OUT LET	G 3/4
V2 IN LET	G 3/4
C CASE DRAIN	G 1/4
E (X) DISENGAGED	G 1/8
E (Y) ENGAGED	RETURN SPRING

WINCH MODEL	EPHL 150FN	WINCH GROUP	PLANETARY GEAR	PLUGS
Pulling capacity	15000 Kg	Date	Modification	1.Fill G 3/8
Max.Oil flow	75 Lt./Min.			2.Level G 3/8
Speed Line - first layer	7 Mt./Min.			3.Drain G 1/4
Speed Line - top layer	11 Mt./Min.	<b>DANGEROUS:</b> Do not use winch to lift support or transport personnel.		SCALE 1:3.5
		Gear ratio	1/22,69	WEIGHTS
		Orbital hydr. motor	250 cc	Winch (without oil) 210 Kg
		Working pressure	200 bar	Heavy-duty Roller fairlead 42 Kg
		Drum size	373 mm	Cable tensioner 10 Kg
		Drum clutch	Air-operated	
 Funo - Bologna (Italy) www.vimeindustrial.com <b>The Quality is Transparent</b>		<b>VIME Industrial</b> reserves the right to improve its products through changes in designed or materials as if may seem desirable without notice.		DATA 19/09/2016 COD. EPHLFN150U25EAGPV6



Machinery Directive 2006/42/CE  
EN 14492-1



OVERCENTER VALVE POSITION\*

V6	V	V9	V3
(STANDARD)	(ON REQUEST)	(ON REQUEST)	(ON REQUEST)

WINCH ORDERING CODE	AIR CLUTCH (STANDARD)	MANUAL CLUTCH (ON REQUEST)	HEAVY DUTY ROLLER FAIRLEAD (ON REQUEST)	CABLE TENSIONER (ON REQUEST)	OVER CENTER VALVE POSITION* (STANDARD V6)
EPHLFN150U25EAV6	X				X
EPHLFN150U25EAPV6	X			X	X
EPHLFN150U25EAGV6	X		X		X
EPHLFN150U25EAGPV6	X		X	X	X
EPHLFN150U25EV6		X			X
EPHLFN150U25EPV6		X		X	X
EPHLFN150U25EGV6		X	X		X
EPHLFN150U25EGPV6		X	X	X	X

\*AT THE MOMENT OF ORDER IS POSSIBLE REQUEST THE OVERCENTER VALVE PORTS ORIENTED ACCORDING TO THE LAY OUT ABOVE. IF NOT SPECIFIED, THE WINCH WILL BE SUPPLIED WITH THE OVERCENTER VALVE PORTS ORIENTED AS PER OUR STANDARD CONFIGURATION V6.

CONNECTIONS	
V1 OUT LET	G 3/4
V2 IN LET	G 3/4
C CASE DRAIN	G 1/4
E (X) DISENGAGED	-----
E (Y) ENGAGED	-----

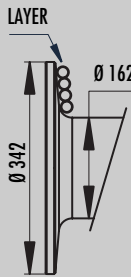
WINCH MODEL	EPHL 150 FN	WINCH GROUP	PLANETARY GEAR	PLUGS
Pulling capacity	15000 Kg	Date	Modification	1.Fill G 3/8
Max.Oil flow	75 Lt./Min.			2.Level G 3/8
Speed Line - first layer	7 Mt./Min.			3.Drain G 1/4
Speed Line - top layer	11 Mt./Min.	<b>DANGEROUS:</b> Do not use winch to lift support or transport personnel.		SCALE 1:3.5
		Gear ratio	1/22,69	WEIGHTS
Funo - Bologna (Italy) www.vimeindustrial.com		Orbital hydr. motor	250 cc	Winch (without oil) 210 Kg
<b>The Quality is Transparent</b>		Working pressure	200 bar	Heavy-duty
VIME Industrial reserves the right to improve its products through changes in designed or materials as it may seem desirable without notice		Drum size	373 mm	Roller fairlead 42 Kg
		Drum clutch	Manual	Cable tensioner 10 Kg
				COD. EPHLFN150U25EGPV6
				DATA 19/09/2016

### 1.4.13 EPHL 150 FN CE TECHNICAL DATA


FEATURES EPHL 150 FN CE (250 cc.)	
LINE PULL FIRST LAYER	15.000 KGF
LINE SPEED FIRST LAYER	7 MT/MIN.
MAX. WORKING PRESSURE	200 BAR
MAX. OIL SUPPLY	75 LT/MIN
MIN. OIL SUPPLY	20 LT/MIN
WIRE ROPE SIZE (EN 14492-1)	*18 MM
WIRE ROPE MINIMUM BREAKING ROPE (EN 14492-1)	30.000 KG
MAX. WIRE ROPE CAPACITY (EN 14492-1)	**55 MT

LINE SPEED [MT/MIN]							
	OIL SUPPLY [LT/MIN]	DRUM REVOLUTION [RPM]	LINE SPEED PER LAYER [MT/MIN]				
			1	2	3	4	5
ROPE 18 MM	40	5,8	3,3	3,9	4,6	5,2	5,9
	60	9,4	5,3	6,4	7,4	8,5	9,6
	75	12,1	7	8,2	9,6	11	12,3
	-	-	-	-	-	-	-
	-	-	-	-	-	-	-
	-	-	-	-	-	-	-

WIRE ROPE QUANTITY ON LAYER (DRUM LENGTH EPHL FN= 373 MM)							
LAYER	LAYER	DRUM DIAMETER [MM]		WIRE ROPE ON LAYER [MT]		WIRE ROPE QUANTITY [MT]	
		18 MM	-	18 MM	-	18 MM	-
	6	-	-	-	-	-	-
	5	324	-	20,1	-	78,1	-
	4	288	-	17,8	-	58	-
	3	252	-	15,6	-	40,1	-
	2	216	-	13,4	-	24,5	-
	1	180	-	11,2	-	11,2	-
	0	162	-	-	-	-	-



LINE PULL [KGF]		
RATIO	LAYER	LINE PULL [KGF]
22,69:1	1	15.000
	2	12.500
	3	10.700
	4	9.370
	5	8.300
	-	-
	-	-
	-	-
	-	-
	-	-

**NOTE** 

Specifications are subject to change without notification and without incurring obligation. Specifications in this publication are theoretical and may vary depending on hydraulic system, environment, etc.

\*Wire rope size must be respected. Recommended wire rope min. tensile strength 2160 N/mm<sup>2</sup>. Wire rope minimum breaking load must be at least double of winch max. pulling capacity.

\*\* Max. wire rope capacity according with EN 14492-1.

WEIGHT [KG]	
WINCH (WITHOUT CABLE)	210
ACCESSORY : ROLLERFAIRLEAD	42
ACCESSORY : CABLE TENSIONER	10

### 1.4.14 EPHL 150 FN CE WINCH PERFORMANCE CHARTS AT THE 1<sup>ST</sup> LAYER

