



3/2 WAY DIRECTIONAL VALVES KVC

- NG 10
- Up to 350 bar [5 076 PSI]
- Up to 100 L/min [26.4 GPM]
- Direct in-line mounting.
- Plug-in connector for solenoids to ISO 4400.
- Threaded connections to ISO 9974 (Metric), ISO 1179 (BSPP/Gas), ISO 11926 (UNF).
- Protection of solenoid IP65 to EN 50529 / IEC 60529.



KVC-3/2-10

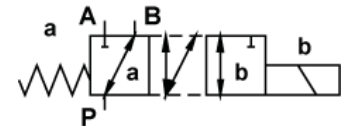
Operation

Directional valves type KVC-3/2-10 with direct solenoid operation are used to control the direction of hydraulic fluid flow.
 Type KVC-3/2-10 is a reduced version of type KV-6/2. It is used for alternate control of two one-pipe working units (e.g. Plunger) with common, main directional valve.

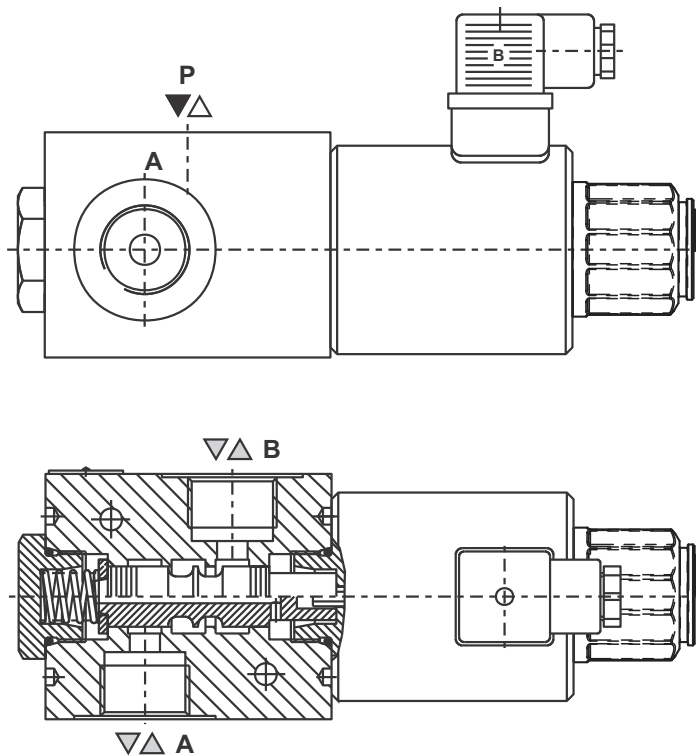
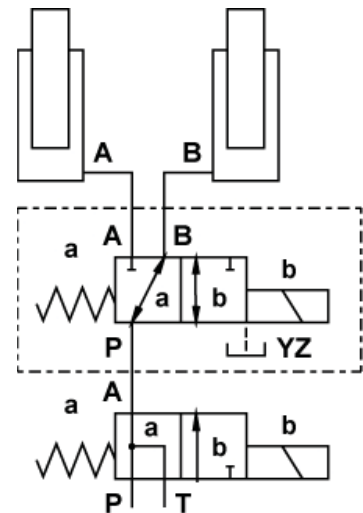
It is also very proper as bypass valve.

The change-over can also be done manually by pressing the emergency manual override.

Hydraulic symbol



Mounting example



Mechanically operated

Hydraulically operated

Electrically operated



Features

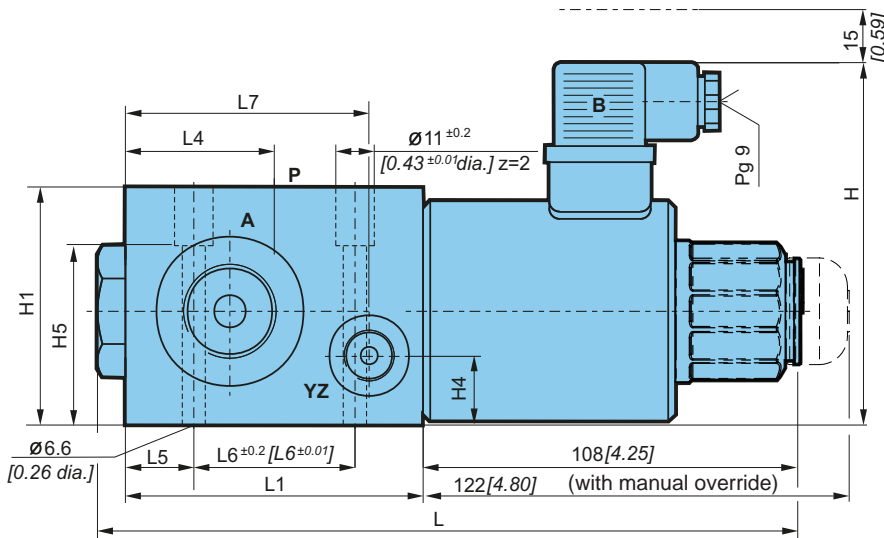
Hydraulic

Size		10
Flow rate	Without drainage	60 [15.8]
	With drainage	100 [26.4]
Operating pressure	Without drainage	250 [3 625]
	With drainage	350 [5 076]
Oil temperature range	°C [°F]	-20 to +70 [-4 to +158]
Viscosity range	mm ² /s [SUS]	15 to 380 [3.24 to 82]
Mounting position		Optional
Mass	Without drainage	5,6 [12.34]
	With drainage	7,1 [15.65]
Filtration	NAS 1638	8

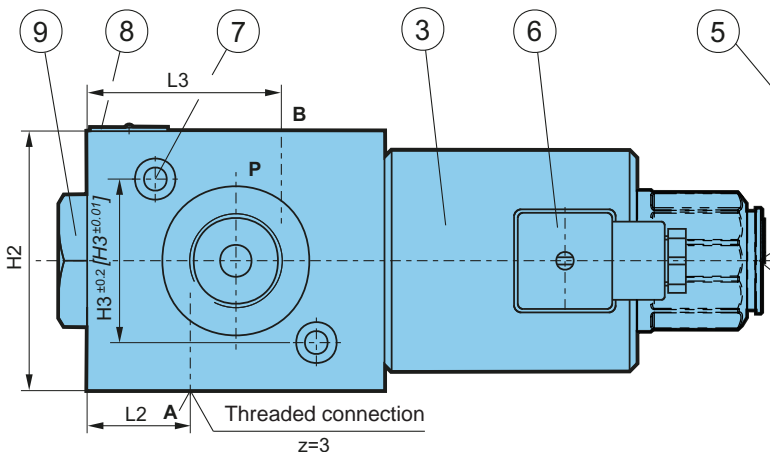
Electrical

Supply voltage	V	12, 24 DC
Power	W	45
Switching frequency	1/h	15000
Ambient temperature	°C [°F]	to +50 [to +122]
Coil temperature	°C [°F]	to +180 [to +356]
Duty cycle		Continuous

Dimensions



Dimensions	Without YZ	With YZ
L	201 [7.91]	210 [8.27]
L1	85 [3.34]	94 [3.70]
L2	29,5 [1.16]	31,5 [1.24]
L3	55,5 [2.18]	62,5 [2.46]
L4	42,5 [1.67]	47 [1.85]
L5	19,5 [0.76]	18 [0.71]
L6	46 [1.81]	40 [1.57]
L7	-	79,5 [3.13]
H	104 [4.09]	105 [4.13]
H1	67 [2.63]	74 [2.91]
H2	73 [2.87]	90 [3.54]
H3	46 [1,81]	66 [2,60]
H4	-	33 [1,30]
H5	50,5 [1,98]	31 [1,22]

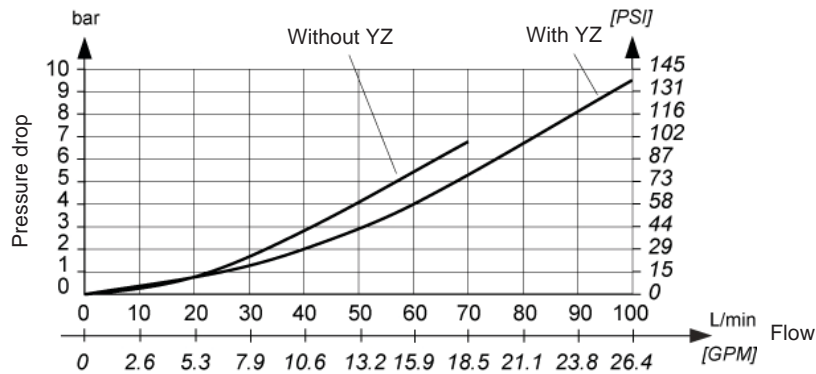


- 3. Solenoid "b" MR-060
- 5. Emergency manual override
- 6. Plug-in connector "b" -black
- 7. Fixing screws:
-without YZ: 2 x M6x60 to ISO 4762-10.9
-with YZ: - 2 x M6x40 to ISO 4762-10.9
- 8. Nameplate
- 9. Valve cap



ΔP-Q Performance curves

Measured at 50°C [122°F] and viscosity of 32 mm²/s [148 SUS].



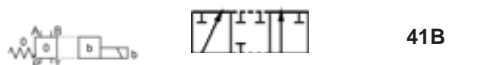
Model code

K V C - **3** / **2** - **10** - **□** - **41B** - **□** - **□** - **□** - **□** - **□** - *****

Manual override option

Emergency manual override	No designation
Manual override with rubber cover	G
Lockable manual override	C

Spool type



Supply voltage

Direct voltage 24V	No designation
Direct voltage 12V	12 DC

Connector type

175301-803 without signal lamp	No designation
EN 175301-803 with signal lamp	L
EN 175301-803 without connector	K
AMP Junior timer without connector	M
Deutsch	V

Overvoltage

Without overvoltage protection	No designation
With overvoltage protection	T

Special requirements to be briefly specified

Seal type

No designation	NBR seals for mineral oil HL, HLP to DIN 51524
E	FPM seals for HETG, HEES, HEPG to VDMA 24568 and ISO 15380

Drainage

No designation		Without YZ
YZ		With YZ

Threaded connections A,B,P ; YZ

No designation	M18x1,5 ; -
M22	M22x1,5 ; -
M20	M20x1,5 ; -
3/8	G3/8 ; -
1/2	G1/2 ; -
3/4	G3/4 ; -
3/4	G3/4 ; G1/4
SAE 12	1 1/16-12 UNF-2B ; 9/16-18 UNF-2B

Mechanically operated

Hydraulically operated

Electrically operated