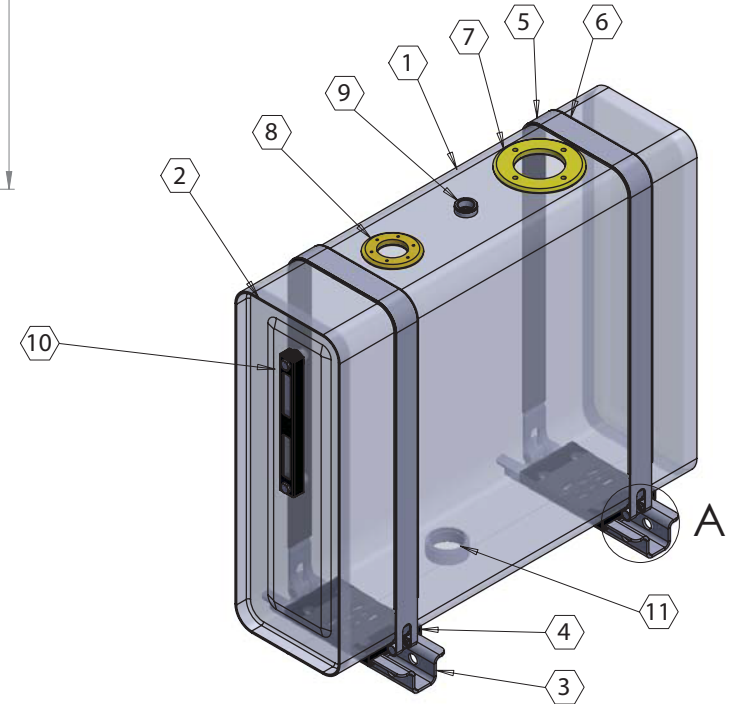


ITEM	QTY	DIMENSIONS	MATERIAL
1	1	TANK BODY	STEEL 2 MM
2	2	SIDE PLATE	STEEL 2 MM
3	2	BRACKET	DC01 QUALITY ST-37 5mm
4	2	BRACKET RUBBER	RUBBER
5	2	BELT	6112 QUALITY 2 mm. STEEL
6	2	BELT RUBBER	RUBBER
7	1	FLANGE FILTER SYSTEM	STEEL Ø157x10MM
8	1	FLANGE FILLING NECK	STEEL Ø105x10MM
9	1	AERATION SUCTION ADAPTER	STEEL 3/4" BSP FEMALE PORT
10	1	LEVEL INDICATOR	
11	1	SUCTION ADAPTER	STEEL 2" BSP FEMALE PORT
12	4	PIN ASSEMBLY	115MNP830 QUALITY AUTOMAT Ø20 STEEL



HYDNEX

MSHN130

Terässäiliö 130L