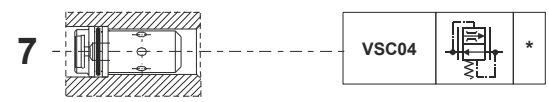
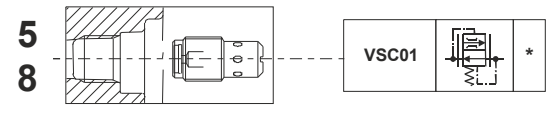
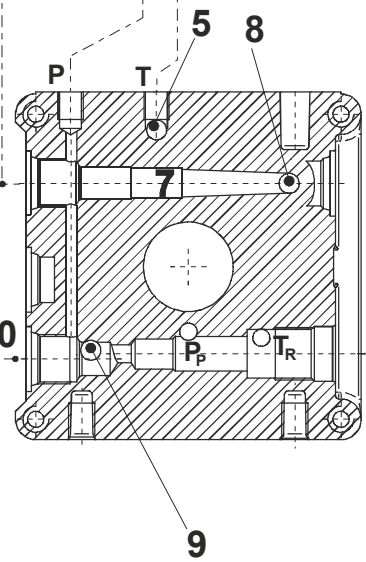
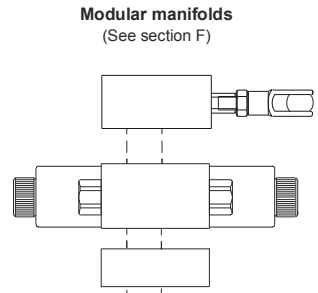
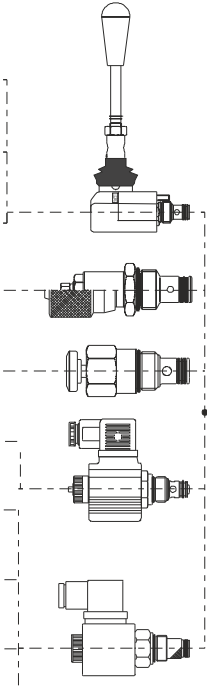


UNIVERSAL CENTRAL MANIFOLD «UA» EXECUTION VALVE COMBINATIONS

EM		CM04M
E		CM04
U		PMC02
S		CSB
Z		CPE
D		MDV30E
C		MSV31E
A		MSV30
B		MSV30E
T		CSPC15

G		E70100005
L		E70100004
P		E70100006
H		E70100003
N		E70100002
J		VUC20

J		VUC20
S		CSB



E70100010		XP
VMD35		D/*

Hydraulic scheme

