



The drain exhaust valve model VQS is needed to keep all different equipments used for the compressed air treatment, in an optimal status.
Electric and timed, it can be programmed to discharge the drain in a specific time interval, with the aim to maintain the best functioning conditions of the system.
Its functioning is automatic and requires less compressed air during the exhaust process.

**La vanne d'échappement de condensats modèle VQS est nécessaire pour maintenir tous les équipements utilisés pour le traitement de l'air comprimé dans un état optimal.
Électrique et réglable elle peut être programmée pour purger les condensats dans un intervalle de temps spécifique, afin de maintenir les meilleures conditions de fonctionnement du système. Son fonctionnement est automatique et nécessite moins d'air comprimé pendant le processus d'échappement.**

La valvola di scarico di condensa modello VQS serve per mantenere in uno stato ottimale tutte le attrezzature utilizzate per il trattamento dell'aria compressa.

Elettrica e temporizzata, può essere programmata per scaricare la condensa in uno specifico intervallo temporale, al fine mantenere le migliori condizioni di utilizzo.

Il suo funzionamento è automatico e consuma meno aria compressa quando scarica la condensa.

TECHNICAL DATA / DONNÉES TECHNIQUES / DATI TECNICI

Maximum allowable pressure / **Pression de service max.** / *Pressione massima ammissibile*

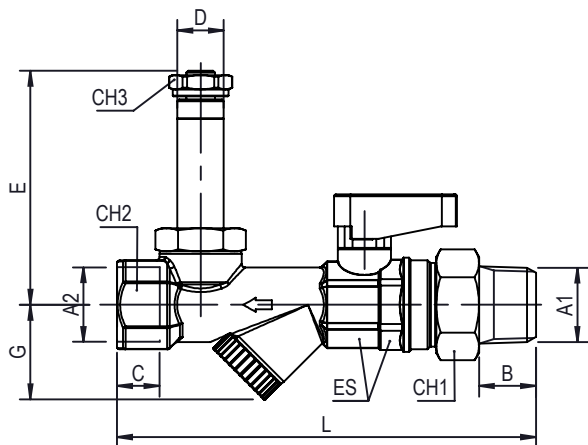
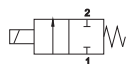
16 bar

Temperature range / **Température d'utilisation** / *Temperatura di esercizio*

-10°C / +80°C

Code Code Codice	Seals Joints Guarnizioni	Thread size Filetage Filetto	Ø mm	Viscosity (Max cSt) Viscosité (Max cSt) Viscosità (Max cSt)	Kv m ³ /h	Power / Puissance Potenza		ΔP [bar]	
						DC (W)	AC (VA)	min	max
VQS1122C30N VQS1222C30N	NBR	3/8 - 1/2 1/2 - 1/2	3	53	0.21	8	-	0	11.4
						14	-	0	15.1
						22	-	0	20
						-	14	0	10.6
						-	21	0	17.1
						-	31	0	24.1

2/2 NC / NF / NC



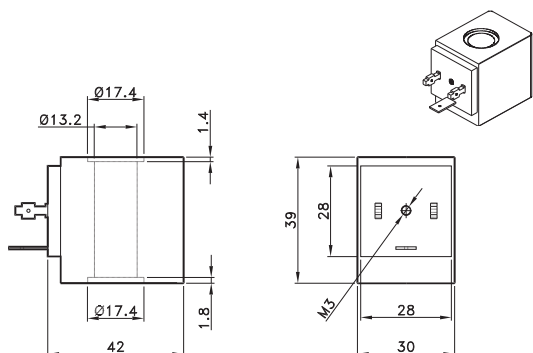
CODE	A1	A2	B	C	D	CH1	CH2	CH3	L	E	ES	G
VQS1122C30N	3/8	1/2	11.5	12	13	27	25	16	113.5	65.5	22-23	26.5
VQS1222C30N	1/2	1/2	16	12	13	27	25	16	117.5	65.5	22-23	26.5

ANALOGUE TIMER
TIMER ANALOGIQUE
TEMPORIZZATORE ANALOGICO

- 24 - 240V AC/DC 50/60Hz
- IP65 - EN6052
- 1 A Max
- 0,5 - 10 Sec. ON
- 0,5 - 45 Min. OFF
- Reset/Test



CODE
TZ2400

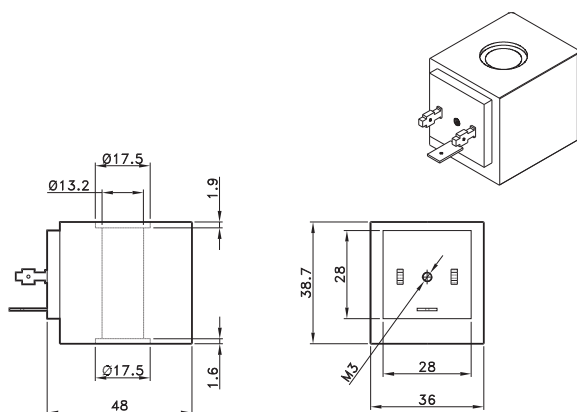


COILS 30 mm WITH HOLE 13mm
BOBINE 30 mm AVEC TROU 13mm
BOBINE 30 mm CON FORO 13mm

CODE	Power / Absorption / Assorbimento	
	Tension Tension Tensione	Power Puissance Potenza
BO4031012	12 V DC	14 W
BO4031024	24 V DC	14 W
BO4032024	24 V AC	14 VA
BO4032110	110 V AC	14 VA
BO4032220	220 V AC	14 VA

TECHNICAL SPECIFICATIONS
CARACTERISTIQUES TECHNIQUES
CARATTERISTICHE TECNICHE

Tension tolerance / Tolérance tension / <i>Tolleranza di tensione</i>	+10%
Protection with connector / Protection avec connecteur / <i>Protezione con connettore</i>	IP65
Max working temperature / Température max d'utilisation / <i>Temperatura max di esercizio</i>	+ 50°C
Duty cycle / Temps d'enclenchement / <i>Inserimento</i>	ED 100%

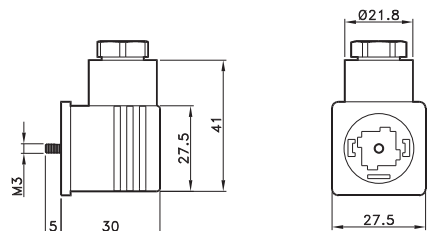


COILS 36 mm WITH HOLE 13mm
BOBINE 36 mm AVEC TROU 13mm
BOBINE 36 mm CON FORO 13mm

CODE	Power / Absorption / Assorbimento	
	Tension Tension Tensione	Power Puissance Potenza
BO4041012	12 V DC	22 W
BO4041024	24 V DC	22 W
BO4042024	24 V AC	31 VA
BO4042110	110 V AC	31 VA
BO4042220	220 V AC	31 VA

TECHNICAL SPECIFICATIONS
CARACTERISTIQUES TECHNIQUES
CARATTERISTICHE TECNICHE

Tension tolerance / Tolérance tension / <i>Tolleranza di tensione</i>	+10%
Protection with connector / Protection avec connecteur / <i>Protezione con connettore</i>	IP65
Max working temperature / Température max d'utilisation / <i>Temperatura max di esercizio</i>	+ 50°C
Duty cycle / Temps d'enclenchement / <i>Inserimento</i>	ED 100%



CONNECTORS 30 mm
CONNECTEUR 30 mm
CONNETTORI 30 mm

CODE
VX0027

Cable diameter / **Diamètre du cable** / *Diametro cavo*
6÷8 mm (22mm)
8÷11mm (30mm)

FLUIDS / FLUIDES / FLUIDI	BODY MATERIAL / MATIERE DU CORPS MATERIALE CORPO		SEALS / JOINT / GUARNIZIONI		
	Brass / Laiton / Ottone	AISI316L	NBR	EPDM	FKM
Acetone / Acetone / Acetone	NO	OK	NO	OK	NO
Acetylene / Acétylène / Acetilene	OK	OK	NO	OK	OK
Argon	OK	OK	NO	OK	OK
Benzene / Benzène / Benzene	OK	OK	NO	NO	NO
Butane / Butano / Butane	OK	OK	NO	NO	OK
Carbon dioxide dry (gas) / dioxyde de carbone à sec (gas) / Anidride carbonica (gas)	OK	OK	OK	OK	OK
Carbon dioxide dry (liquid) / dioxyde de carbone à sec (liquide) / Anidride carbonica (liquida)	OK	OK	NO	NO	NO
Carbon disulfide / Disulfure de carbone / Solfuro di carbonio	OK	OK	NO	NO	NO
Chloroform (100%) / Chloroforme / Cloroformio	OK	OK	NO	NO	NO
Diesel fuel	OK	OK	OK	NO	OK
Helium / Hélium / Elio	OK	OK	OK	NO	OK
Ethane / Éthane / Etano	OK	OK	OK	NO	OK
Ethanol / Éthanol / Etanolo	OK	OK	NO	NO	NO
Ethyl acetate / Acétate d'éthyle / Acetato di etile	OK	OK	NO	NO	NO
Ethyl chloride / Chlorure d'éthyle / Cloruro di etile	OK	OK	OK	OK	OK
Ethylene glycol / Éthylène glycol / Glicole etilenico	OK	OK	OK	OK	OK
Formaldehyde (100%) / Formaldéhyde / Formaldeide	OK	OK	NO	OK	NO
Freon	OK	OK	NO	NO	NO
Glycerine / Glycérine / Glicerina	OK	OK	OK	OK	OK
Heptane / Heptane / Eptano	OK	OK	OK	NO	OK
Hexane / Hexane / Esano	OK	OK	OK	NO	OK
Hydrogen / Hydrogène / Idrogeno	OK	OK	OK	OK	OK
Hydrogen peroxide / Peroxyde d'hydrogène / Acqua Ossigenata	NO	OK	NO	NO	OK
Isobutane / Isobutane / Isobutano	OK	OK	OK	NO	OK
Isopentane / Isopentane / Isopentano	OK	OK	OK	NO	OK
Methane / Méthane / Metano	OK	OK	OK	NO	OK
Methanol / Méthanol / Metanolo	OK	OK	OK	OK	NO
Methyl chloride / Chlorométhane / Clorometano	OK	OK	NO	NO	OK
Mineral oil / Huile minérale / Olio minerale	OK	OK	OK	NO	OK
Neon	OK	OK	OK	NO	OK
Nitrobenzene / Nitrobenzène / Nitrobenzene	OK	OK	NO	NO	OK
Nitrogen / Azote / Azoto	OK	OK	OK	OK	OK
Oxygen / Oxygène / Ossigeno	OK	OK	NO	NO	OK
Pentane / Pentane / Pentano	OK	OK	OK	NO	OK
Petrol / Gasolina / Benzina	OK	OK	NO	NO	OK
Propane (LPG) / Propane (GPL) / Propano (GPL)	OK	OK	OK	NO	OK
Propyl Alcohol / Alcool Propylique / Alcool Propilico	OK	OK	OK	OK	OK
Toluene / Toluène / Toluene	OK	OK	NO	NO	OK
Trichlorethylene dry / Trichloréthylène / Trielina	NO	OK	NO	NO	OK
Vinegar / Vinaigre / Aceto	NO	OK	NO	OK	OK
Water demineralized / Eau purifiée / Acqua demineralizzata	OK	OK	OK	OK	OK
Water (Hard) / Eau dure / Acqua dura	OK	OK	OK	OK	OK
Water (Hot <75°C) / Eau chaude / Acqua calda	OK	OK	OK	OK	OK
Water (Hot and steam <140°C) / Vapeur et eau chaude <140° / Vapore e acqua calda <140°	OK	OK	NO	OK	NO
Water with glycol / Eau avec glycol / Acqua con glicole	OK	OK	OK	OK	OK
Xylene / Xylène / Xilene	OK	OK	NO	NO	OK