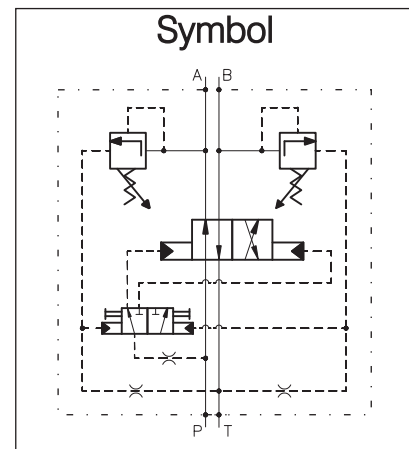
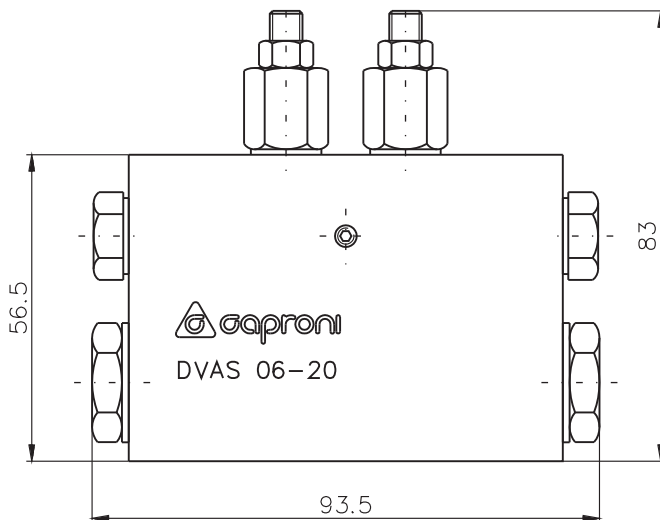
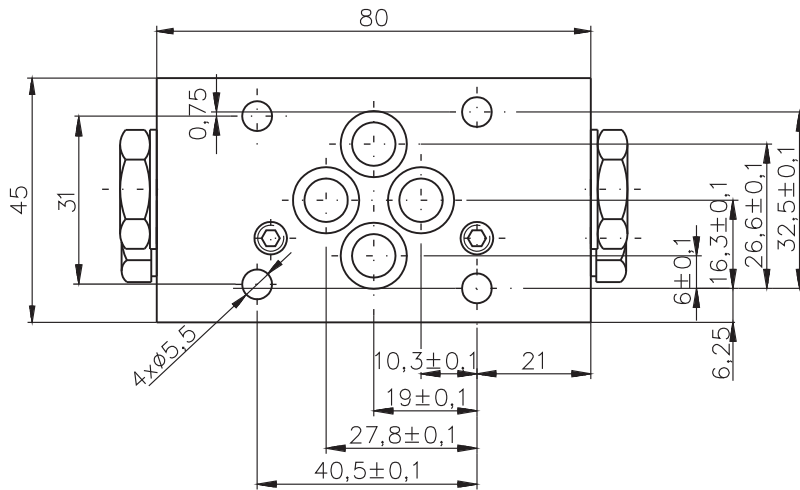


GENERAL DESCRIPTION

Flow automatically reverses direction from P-A to P-B when the setting value of pressure relief valves is reached.

- ✓ 4/2- way directional control valves with hydraulic pilot operation
- ✓ Manual override option
- ✓ Reliability and long life
- ✓ Mounting surface CETOP3 (NG6)



ORDERING CODE

DVAS 06 - 20 ...

Automatic switch directional control valve

Nominal size

Pressure range:

**Omit-** 50...200bar.  
**V1** - 0...100bar.

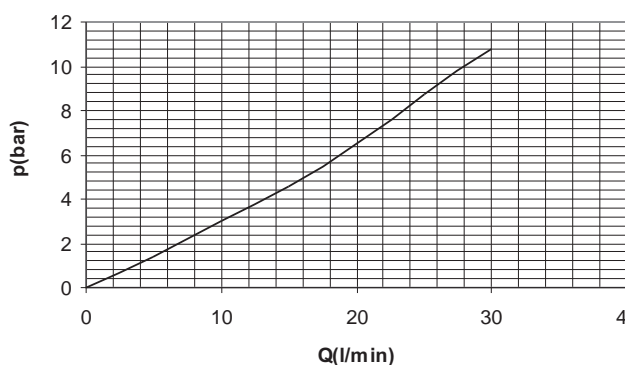
Direction of flow(symbol 20)

**TECHNICAL DATA**
**GENERAL**

DATA	UNIT	VALUE/RANGE
Installation position		preferably horizontal
Max. ambient temperature	°C	-20...+50
Weight	kg	1,400

**HYDRAULIC**

Max. pressure	MPa	21
Maximum flow	l/min	30
Minimum flow	l/min	4
Hydraulic fluid - mineral oil: -viscosity -filtration degree -temperature	mm <sup>2</sup> /s mm °C	10...800 0.025 -20...80

**CHARACTERISTICS**
 $\Delta p/Q$ 
**A(B) to T**

**P to A(B)**
